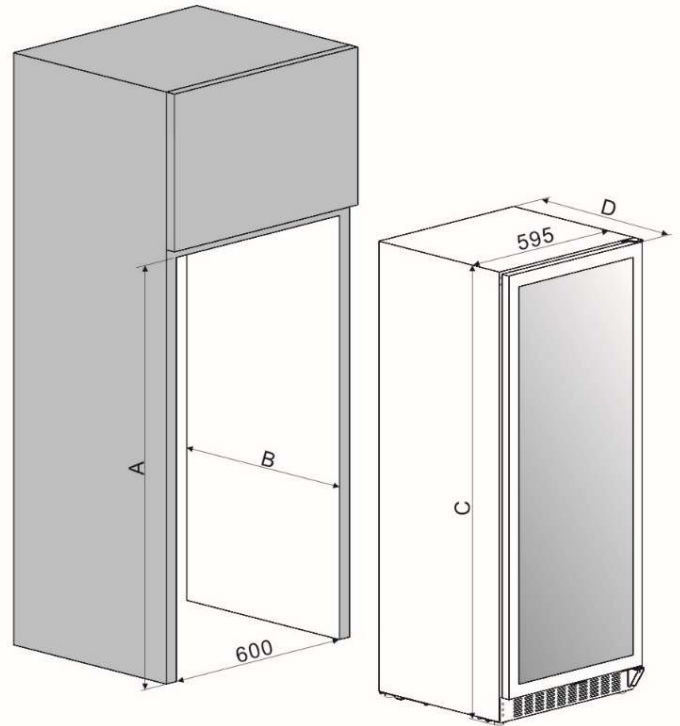


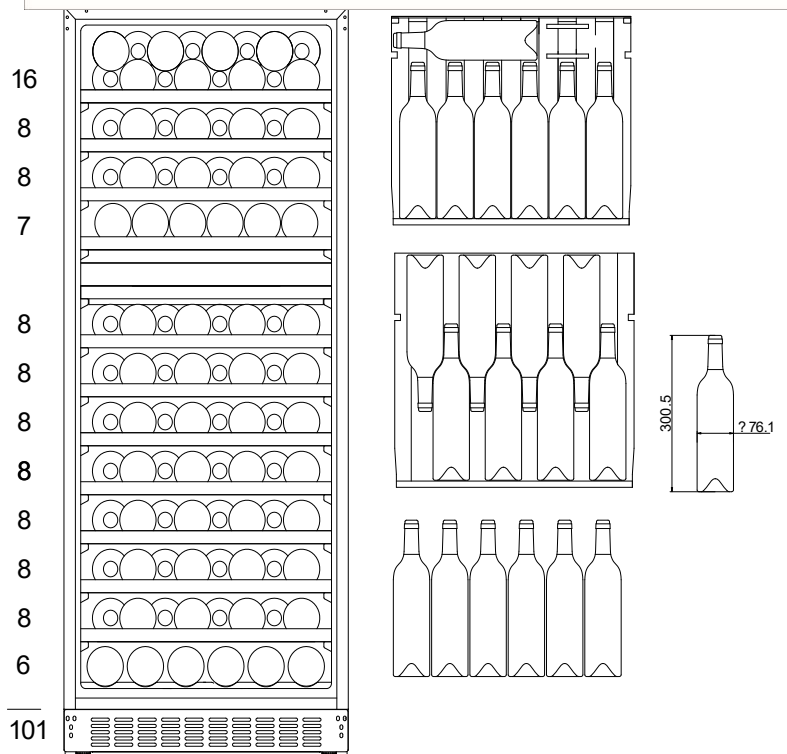
Installation Diagram 安裝尺寸圖 (mm / 毫米)

	A (mm)	B (mm)	C (mm)	D (mm)
VZ101BDHK	1480	555	1476	575



Wine bottle loading instruction 酒瓶存放指示圖

(Based on 750ml standard
Bordeaux wine bottles
以750ml 標準波爾多酒瓶計算)



Capacity is based on Bordeaux type bottles 0.75 liter and subject to the number of shelves and display pattern.

容量以波爾多種類0.75公升的酒瓶為準，並因應層架數目及擺放方法而異。

Specifications may change due to product improvement. No prior notice will be given.

上述規格可能因產品改良而作出修改，恕不另行通知。