

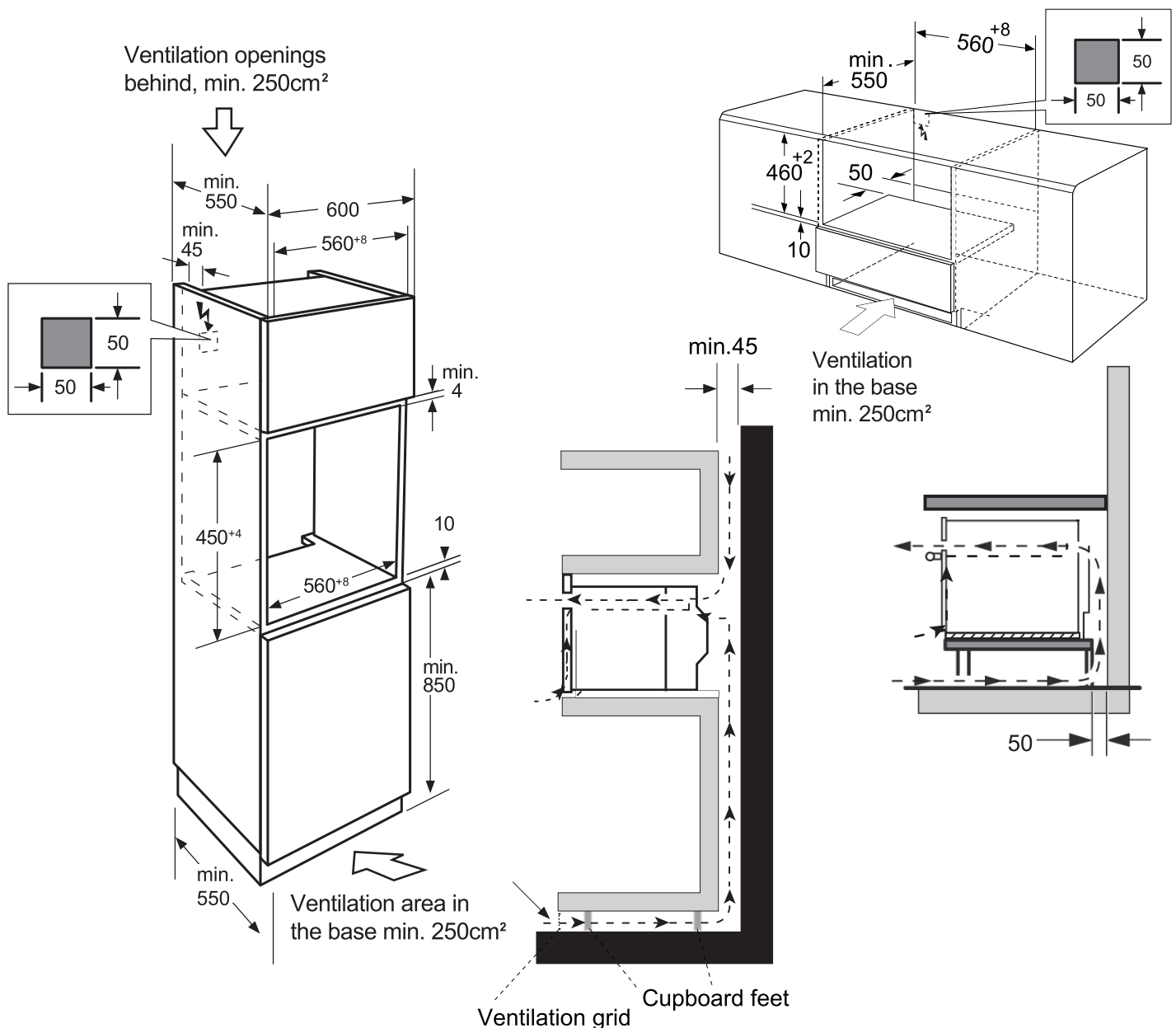
# INSTALLATION DIMENSIONS

To operate this appliance safe, please be sure that it has been installed to a professional standard respecting the installation instructions. Damages occur because of incorrect installation are not within the warranty. While doing the installation, please wear protective gloves to prevent yourself from getting cut by sharp edges. Before turning on the appliance, please clean up all the packaging materials and adhesive film from the appliance. The dimensions attached are in *mm*.

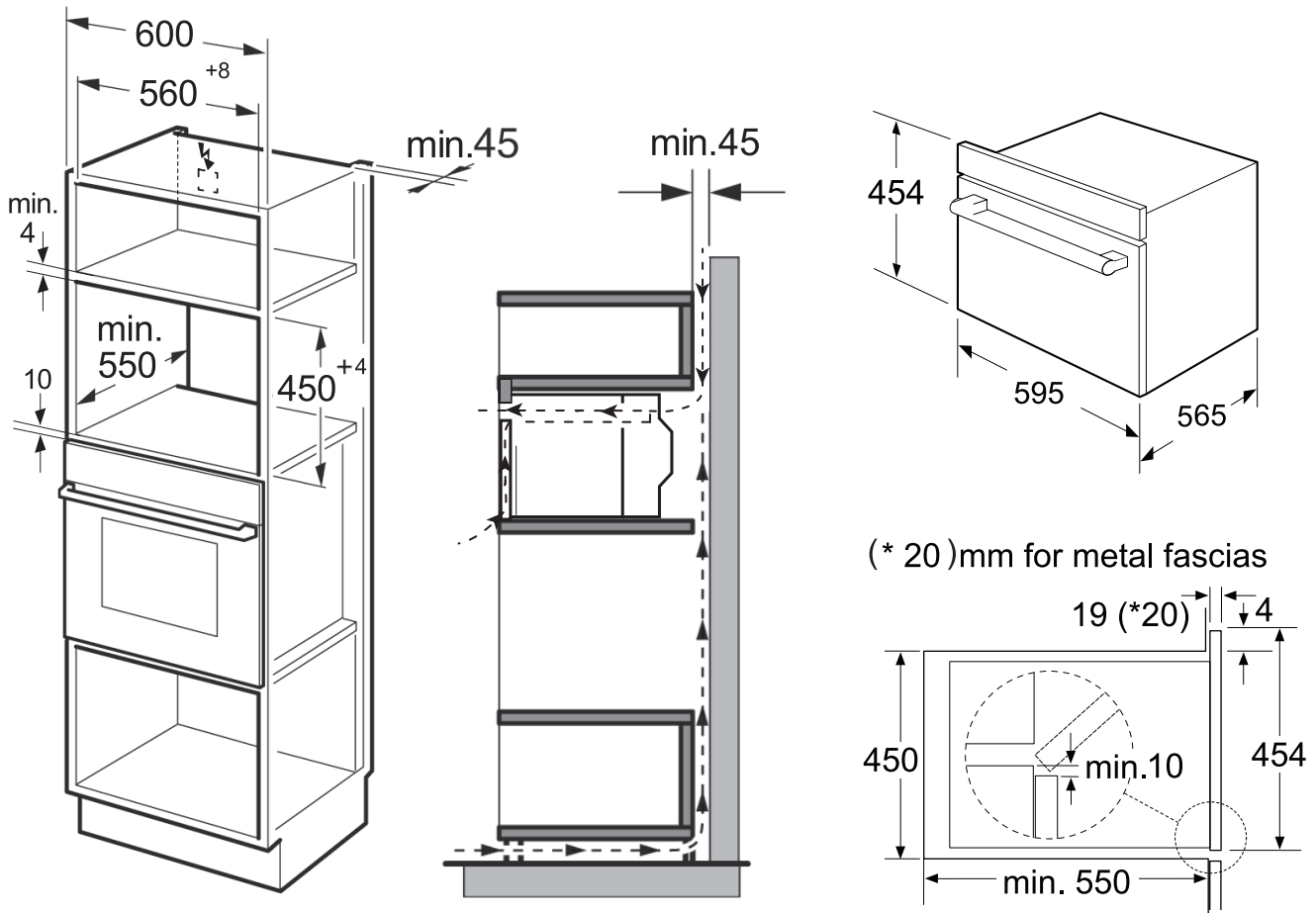
**Warning:** The appliance must not be installed behind a decorative door in order to avoid overheating.

## Building in

1. Do not hold or carry the appliance by the door handle. The door handle cannot hold the weight of the appliance and may break off.
2. Carefully push the steam oven into the box, making sure that it is in the centre.
3. Open the door and fasten the steam oven with the screws that were supplied.
4. For the under bench installation, the power socket should be set in the 50x50mm area at the upper left corner on the back panel of the cabinet.



# INSTALLATION (CONTINUED)



- Fully insert the appliance and centre it.
- Do not kink the connecting cable.
- Screw the appliance into place.
- The gap between the worktop and the appliance must not be closed by additional battens.

