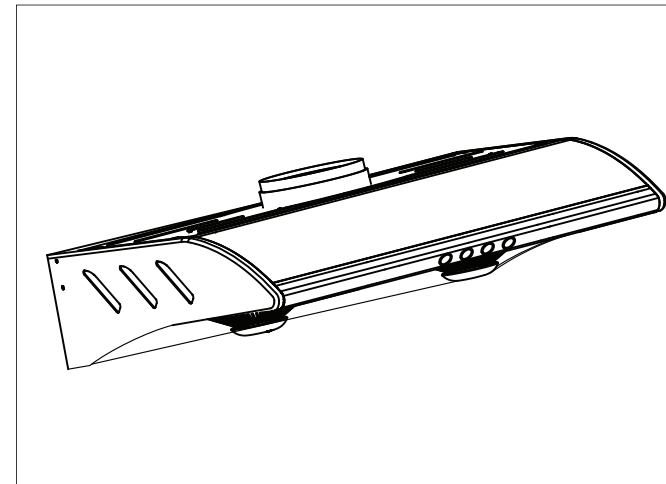


PHILCO 

 **Twistermatic**[®]
Cooker hood

Operation Manual

使用手册



PSED70TS

EN
中文

適用環境：

本產品適用於一般家居室內或類似室內環境，不適用於商業用途。

注意：

▲ 安裝前須詳細閱讀說明書，按照要求進行安裝，檢查確認安裝無誤後，才可接通電源，試按各按鈕操作正常後才可使用。

1. 抽油煙機必須由專業人員安裝。
2. 當煮食使用抽油煙機時，必須有足夠的通風設備。
3. 禁止爐火直接烘烤抽油煙機。請先開抽油煙機再開煮食爐。
4. 如發現抽油煙機出現異常現象，必須立即切斷電源，並由專業人員進行檢修，恢復正常後才能繼續使用，切勿在出現異常現象後繼續通電，以確保安全。
5. 切勿擅自調換任何零件，及隨便改變各零件的安裝狀態。
6. 如出現照明燈不亮但電機能正常轉動時，可能是照明燈損壞，應即時截斷電源，然後換上正常照明燈。請將本機之底板卸下，把舊照明燈泡拆出，換上新照明燈。照明燈最大功率為40W。
7. 如果電源線被損壞，必須由生產商，其服務代理或專業人士替換，以避免危險。
8. 產品如有技術上之更改，恕不另行通知。

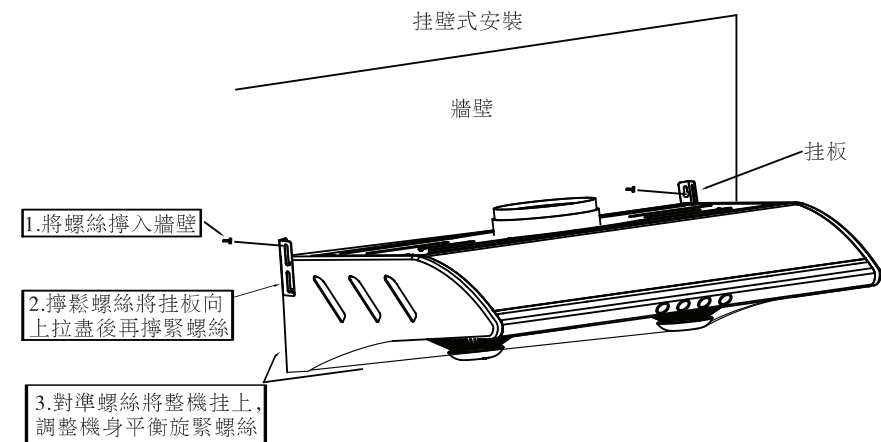
安裝：

▲ 安裝時必須切斷電源，本機備有接地安全裝置。

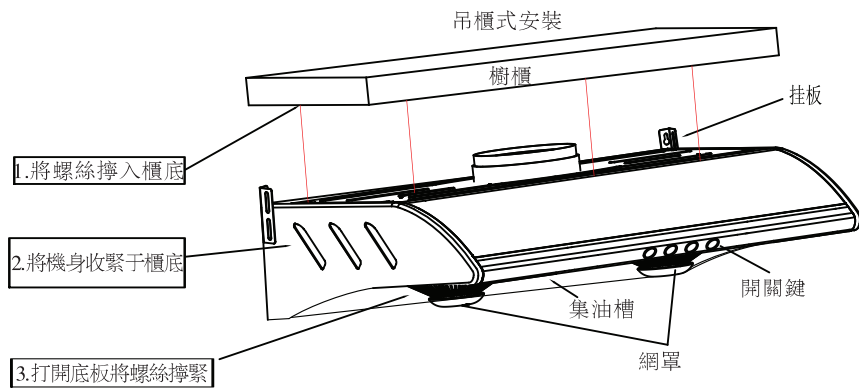
1. 拆除包裝。
2. 擰下網杯，拆下出風口座將其安裝在吸油煙機到出風口上。
3. 抽油煙機最低部位與煮食爐具的表面適當距離最少為650mm，最理想距離650~800mm，安裝時必須左右平衡。
4. 抽油煙機應牢固地安裝牆壁上(掛壁式安裝)，安裝時用電鑽

在適合的位置上鑽2個孔，然後將膨脹膠塞全部打入牆內，並將自攻螺絲擰入五分之四。

5. 將機身的掛板螺絲稍為擰鬆（不要拆出螺絲），向上拉盡掛板後再將螺絲重新收緊。
6. 掛板固定孔對準牆上螺絲將整機掛上，然後調整機身平衡旋緊螺絲。
7. 本機亦可安裝於櫥櫃底下，可用螺絲把機身收緊於櫃底，而排氣喉應穿過櫥櫃通向窗外。（吊櫃式安裝）
8. 在出風口套上6"排氣喉，排氣喉排列應盡量平直，排氣喉的彎應大於90°，以保持排氣順暢。室外排氣管口應向下傾斜，以防雨水倒流而損壞抽油煙機。
9. 抽油煙機排出的氣體不應排到用於排出燃燒煤氣或其他燃料熱煙道中。
10. 使用前先校對抽油煙機銘牌的額定電壓應與使用電壓相符，選用與插頭相適配的插座，三極插座應有良好的接地。



發明專利：HK1068164 Hk1051719

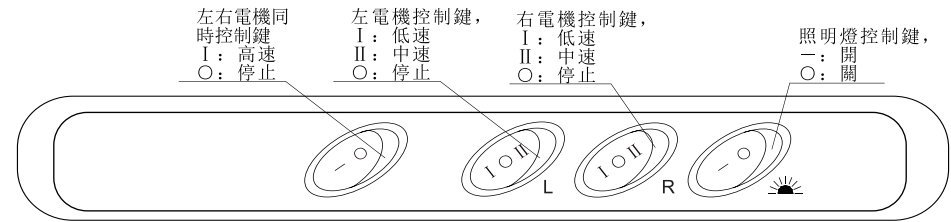


主要功能：

1. 機械翹板式開關，性能穩定，安全可靠，使用壽命長。
2. 左右風輪獨立式設計，可單獨控制或同時開啟，左右電機各設有三個轉速可任意調節以配合不同煮食程式。
3. 特強吸力設計，將油煙儘快順利排出，最新“聚油”回集裝置、集油效果顯著，機身與牆壁傾斜15°，油污自然順暢徹底流入油杯。

操作：

1. 按“☀”鍵控制電燈的開關。
2. 按“L、R”任意一鍵或同時按下，即可啟動吸油煙機。“L、R”分別為左電機控制鍵和右電機控制鍵，“I”為低速，“II”為中速，“III”為左右电机最高速，“○”為停止鍵。使用過程中，根據需要可以隨意切換速度。

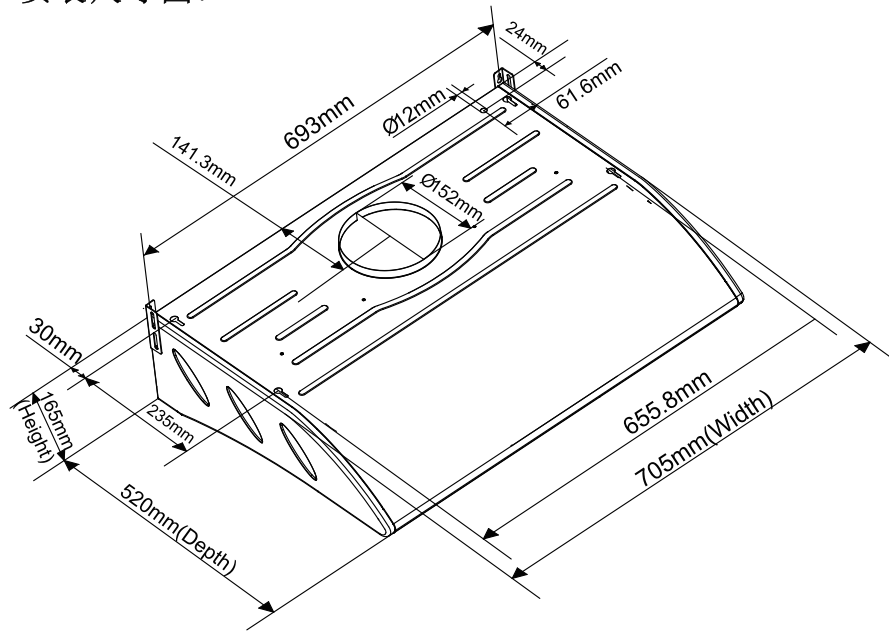


維修保養：

▲ 拆卸清洗前，必須切斷電源。

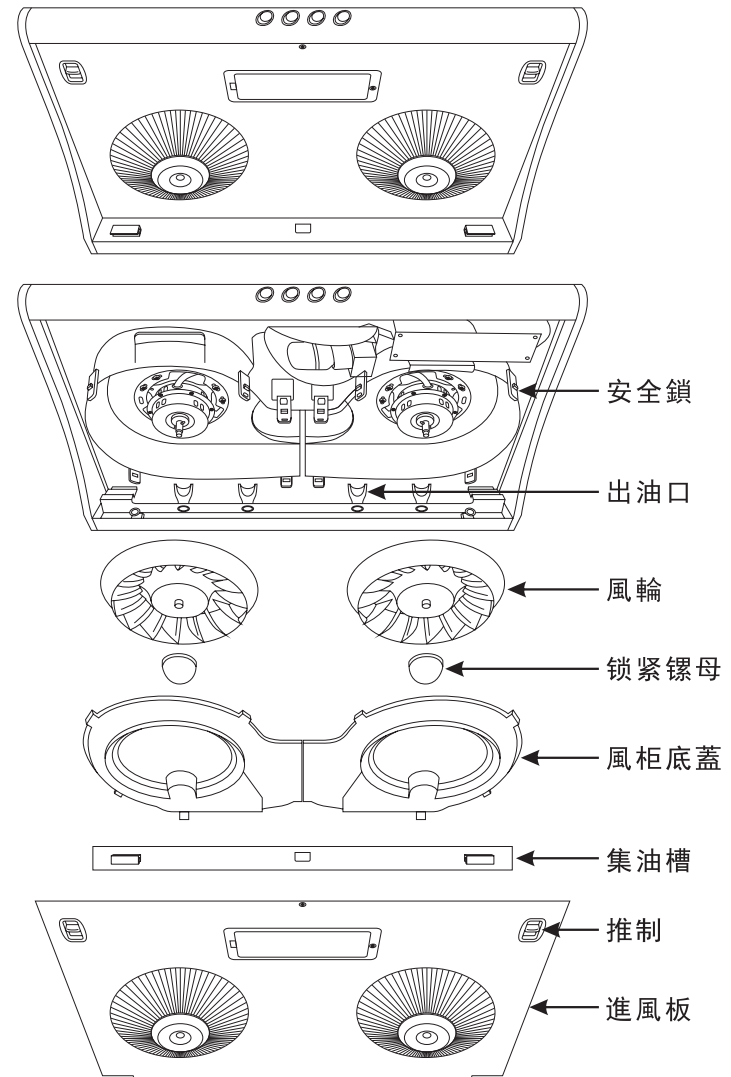
1. 用戶應按時清除油杯積油，保持機身表面、風網及風輪的清潔，可延長機身及機件之壽命。
2. 油杯，外表面和風網的清洗週期，請用戶根據使用時間決定。
3. 清洗機身外表時用軟布沾清洗劑抹拭後，再用乾淨軟布抹幹。必須使用無泡抽油煙機專用清潔劑清潔本抽油煙機（水及清潔劑為20:1）。
4. 切勿碰壓或改變風輪扇翼的角度，切忌用汽油或其他化學物品拭擦。

安裝尺寸圖：



注意：

- 必須由專業人員安裝。
- 拆卸任何零件清洗前必須脫離電源。
- 請開啟抽油煙機後才開啟煮食爐。



1. 首先向下按住推制將進風板拆下來，然后拆下油杯(集油槽)，會看到里面的黑色風柜。
2. 把邊上的安全扣辦開，底蓋就可以取出來，然后把風輪固定螺母擰下來，風輪就可以拆下來清洗了，(同時可清理風箱油污)，
3. 清洗完成后，將風輪裝上去，將螺母擰緊后裝回底蓋，一定要先將兩個直角對準，給少少力就可以插入凹槽，然后雙手平放底蓋，將底蓋插入凹槽中。待底蓋完全放好，扣好周邊安裝扣，然后裝回油杯，最后裝回進風板，完成安裝。

ENVIRONMENT OF OPERATION:

This appliance is designed for home or indoor environment and not for commercial and outdoor uses.

PRECAUTION:

※ **Please read this manual CAREFULLY before installation. During the installation, power supply must be disconnected.**

1. The installation should be done by a qualified technician.
2. Air circulation inside kitchen must be maintained in good condition when range hood in use.
3. Do not put flame on the range hood. Please turn on the hood before turning on the stove.
4. Replacement of the main cord and all other parts should be done by a qualified electrician.
5. Cleaning processes should follow the instructions as stated in this manual. To avoid danger or damage, no parts should be removed or modified.
6. In the case when the light breaks, please disconnect the power supply before you replace it with a new bulb. Maximum power for the light bulb is 40W.
7. If the supply cord is damaged, it must be replaced by the manufacturer, its service agent or qualified persons in order to avoid a hazard.
8. In case of changes in technical specification, there would be no prior notice.

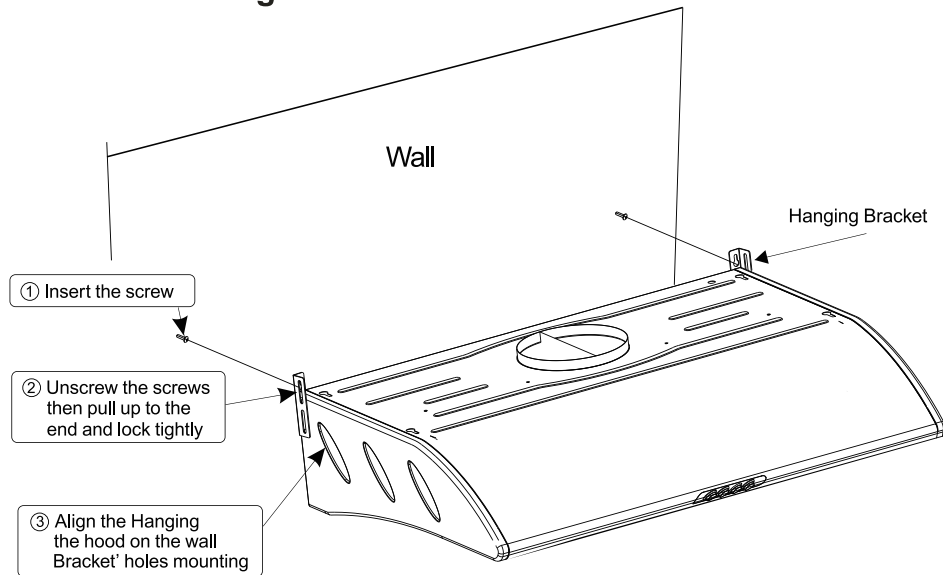
INSTALLATIONS:

※ **This appliance must be earthed. Installation must be carried out only when power supply is disconnected.**

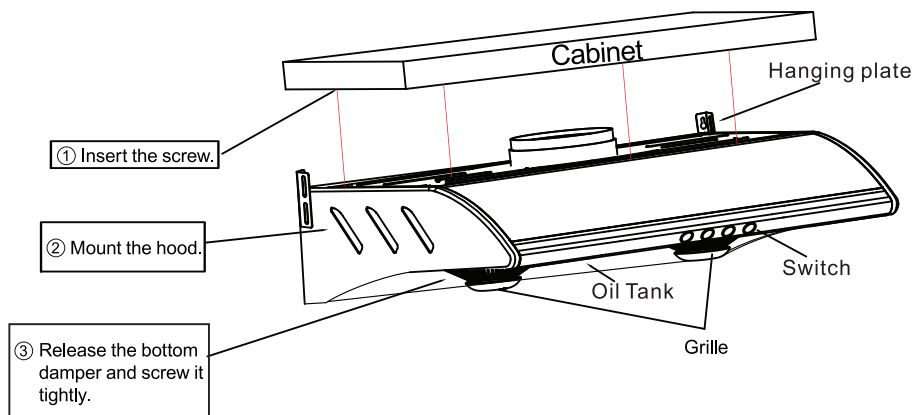
1. Unpack the carton.
2. Detach the fan grille by removing the screws, then take ployform out from inside and reinstall the grille. .

3. The installation height is measured vertically from the bottom of hood to the top of stove, the minimum distance between the supporting surface for the cooking vessels on the hob and the lowest part of the range hood. When the range hood is located above a gas appliance, this distance shall be at least 650mm and the best recommended height is 650-800mm, avoid left-right or up-down inclination.
4. For Wall-Mounted Installation, drill two holes in an appropriate position on the wall and insert the attached inflation plastic bolts properly. Insert the self-tapping screw into the wall leaving with 1/5 space for hanging the hood, make sure the screw drive into the wall firmly.
5. Unfasten the screws between the hanging bracket a bit, pull up the bracket to the top and then fasten the screws back.
6. Position the hood to the screws on the wall and balanced the inclination of the hood. Then fasten the screws tightly to mount the hood onto the wall.
7. This hood could be built-under kitchen cabinet, fasten the screws tightly on the cabinet. The exhaust duct should go through the cabinet to a window.
8. To increase the efficiency of hood, it is recommended to use 6" exhaust duct. The turns of exhaust duct should be always straight, or more than 90° to help exhaust system run smoothly. The outside end of exhaust duct must face downward to avoid rain and air backflow from outside and damage the appliance.
9. The air must not be discharged into a flue that is used for exhausting fumes from appliances burning gas or other fuels (not applicable to appliances that only discharge the air back into the room), regulations concerning the discharge of air have to be fulfilled.
10. Check the voltage on the rating lable which should match the national or local code.

Wall Mounting Instruction



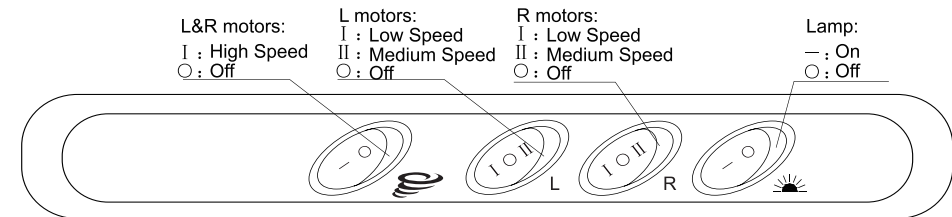
Built-under Instruction



MAIN FEATURE:

1. MECHANICAL SWITCH CONTROL: Paddle switch design for durable, safety and easy usage.
2. The left and right rotary fans can be operated individually or simultaneously. Users can select 3 different fan speeds to fit their cooking needs.
3. 15° curve chassis design for maximizing Suction power and effective oil discharge.

OPERATION:



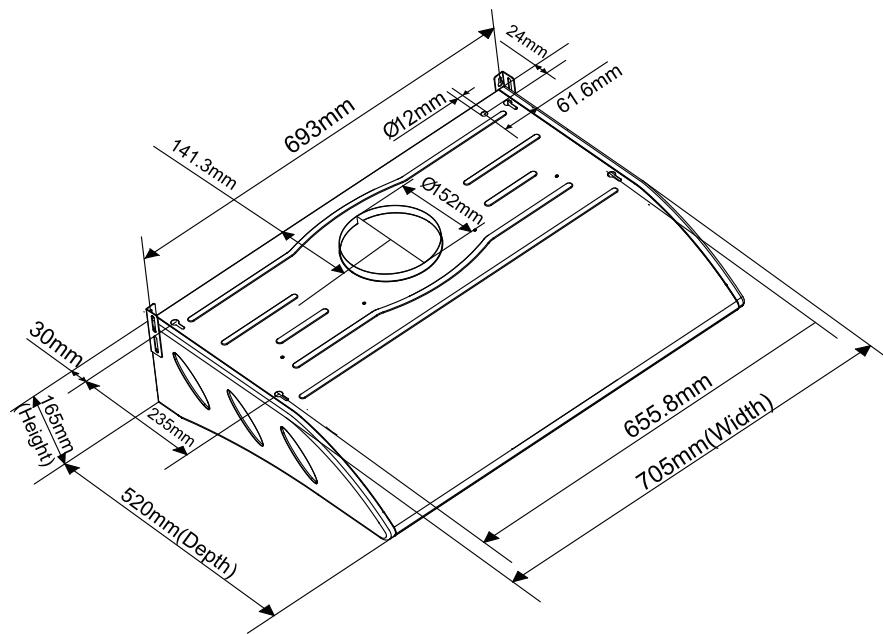
1. ☀ - Light button: Press the button to switch on and off the light.
2. Press either the *L* or *R* switch or both of them simultaneously to turn on the appliance. The fan speed of the appliance is controlled by *L* and *R* switches, they both represent each side of the function of left /right motor individually. *I* indicates low fan speed, *II* indicates high fan speed, *III* indicates highest fan speed. *O* indicates motor off. During operation, users can select different fan speed to fit their cooking needs.

MAINTENANCE AND CLEANING:

- ▲ Caution: Always disconnect the appliance from the power supply before cleaning.
1. Please clean the appliance regularly, do not use abrasive cleaner. Always clean the oil cups and grilles to prevent oil spillage and prolong the life of the hood.

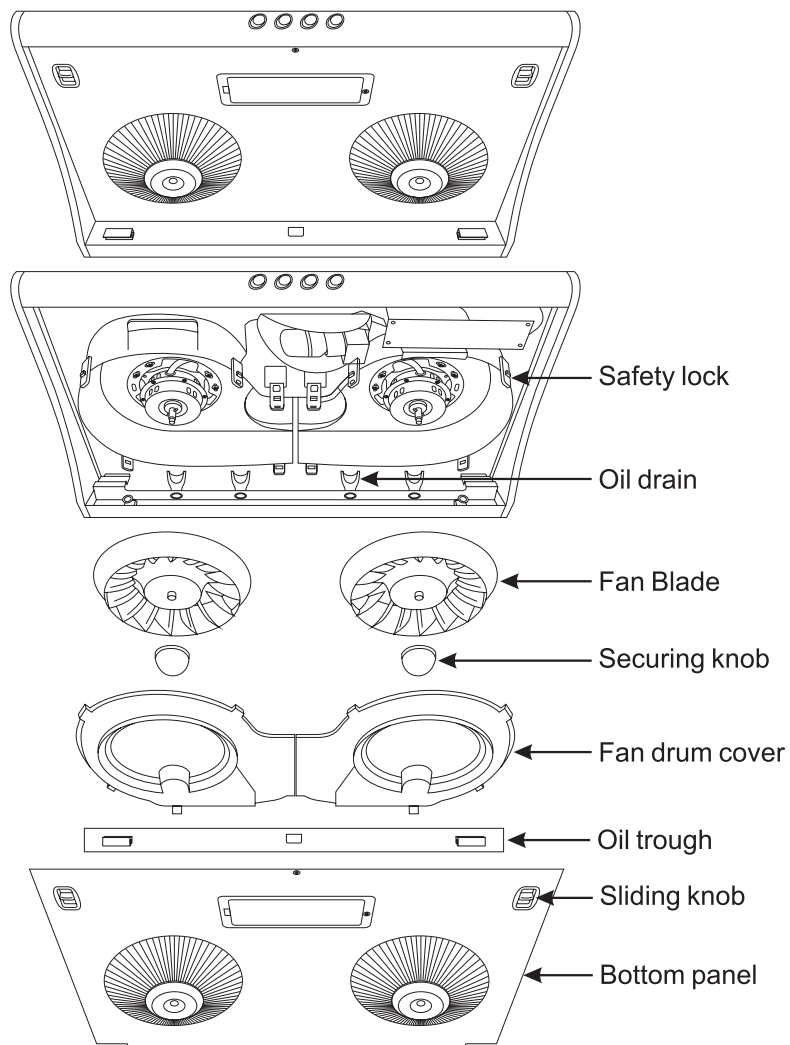
2. The period of cleaning for oil tray, surface of the appliance, grilles and vanes depends on the usage of the appliance.
3. Cleaning the body of the appliance with a damp cloth with cleaning agent, and use a clean cloth to dry. Foamless detergent specified for range hood cleaning must be used for cleaning purposes (Water to detergent ratio → 20:1).
4. Never adjust the turning angle of vane or subject it on impact/collision to avoid any hazard; do not rub it with petrol or other related chemicals.

MOUNTING DIMENSIONS DIAGRAM



Attention:

- Installation must be carried out by qualified technician.
- Please disconnect power supply before dismantling for cleaning.
- Remember to turn on the cooker hood before turning on the hob to avoid overheating the hood.



1. Firstly press down sliding knob and push to remove the bottom panel, then remove the oil trough and you will see the black fan drum.
2. Pry the safety lock on the side of the drum, the bottom cover can be taken out and then the fan blade security knob can be unscrewed, the fan blade can be removed and cleaned (at the same time the fan drum can also be cleaned).
3. After cleaning, the fan blade can be installed again by tightening the knob and put back the fan drum cover. In order to install the fan drum cover properly make sure to align two right angle corners first. Then insert the groove with a small amount of force into the fan drum cover as long as the fan drum cover placing horizontally. When the fan drum cover is completely placed then buckle up the safety lock and put back the oil trough as well as the bottom panel.

注意 NOTE

請紀錄下列資料 Please record the following information:

- 型號 Model No.: _____
- 機身編號 Serial No.: _____
- 經銷商名稱 Dealer: _____
- 購買日期 Purchase date: _____

本產品在不斷改進中，如功能有所更改，恕不另行通知。
如有疑問，請與維修中心聯絡，不便之處，敬請原諒。
As a result of technological progress, the product functions may change due to product improvement; no prior notice will be given. If any queries, please contact our service department.

ToolBox Customer Service Centre 客戶服務中心 :

7/F, Goodwill Industrial Building, 36-44 Pak Tin Par Street, Tsuen Wan, Hong Kong

Customer Service Hotline 客戶服務熱線: (852) 8210 8210
Service E-mail 電郵地址: 8210service@gilman-group.com
Please register now at 請即上網登記: www.toolbox.hk
Website 網址: www.gilman-group.com



2/F, Shing Dao Industrial Building, 232 Aberdeen Main Road, Hong Kong
香港香港仔大道232號城都工業大廈2樓