

# Installation Instruction

## The following must be noted

### Electrical connection

The appliance is fitted with a plug and must only be connected to a properly installed earthed socket. Only a qualified electrician who takes the appropriate regulations into account may install the socket or replace the connecting cable. If the plug is no longer accessible following installation, an all-pole isolating switch must be present on the installation side with a contact gap of at least 3 mm. Contact protection must be ensured by the installation.

### Fitted units

The installation cabinet must not have a back panel behind the appliance. Minimum installation height: 850 mm.

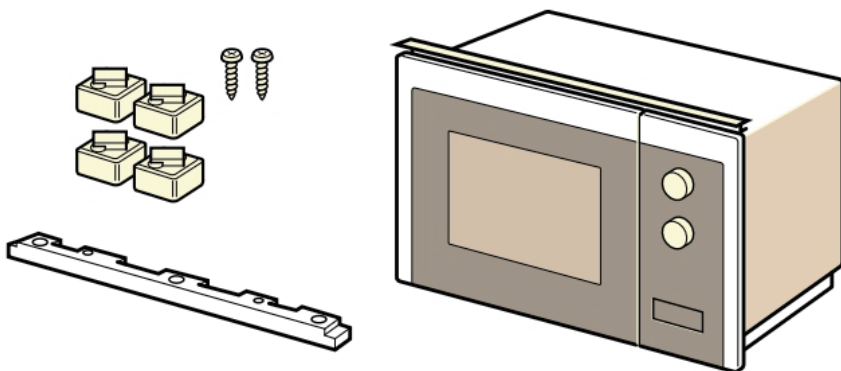
Ventilation slots and intakes must not be covered.

**Appliance in a wall-hanging unit - Fig. 1A**

**Appliance in a tall unit - Fig.1B**

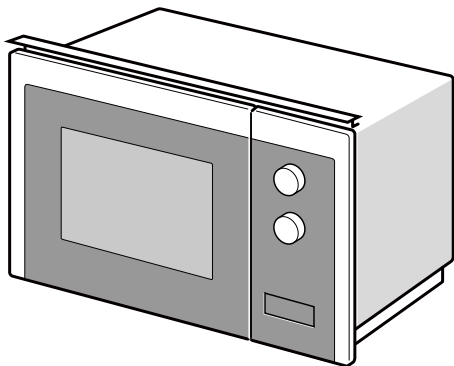
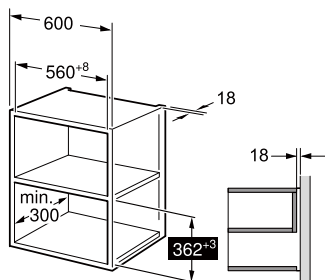
## Installing the oven - Fig. 2

**Note:** Do not trap or kink the mains lead.

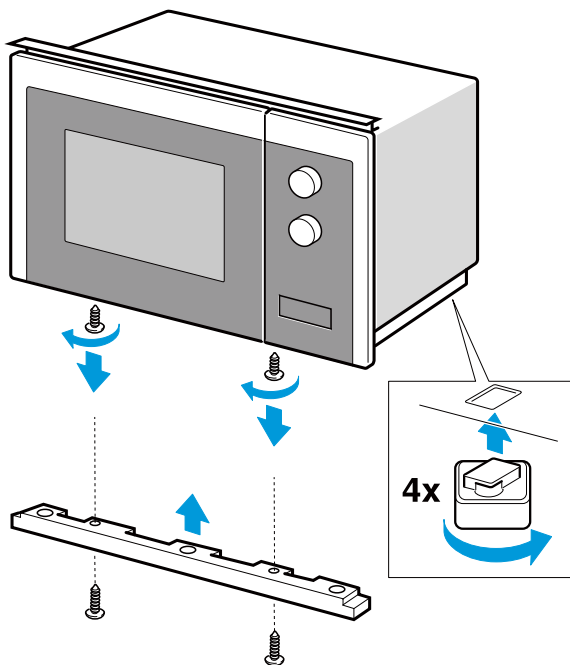
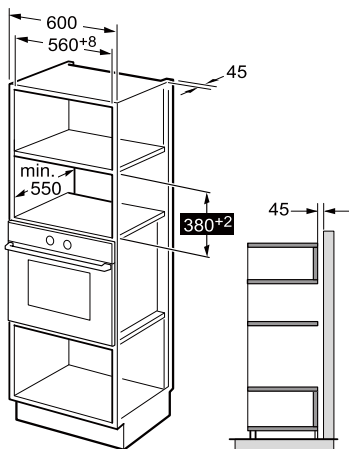


# 1

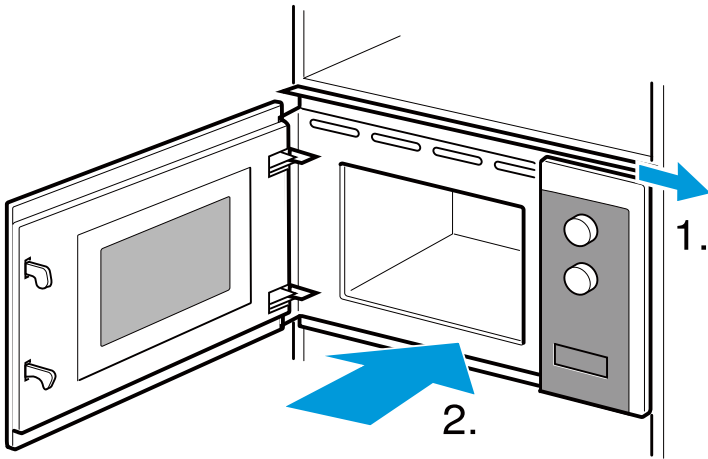
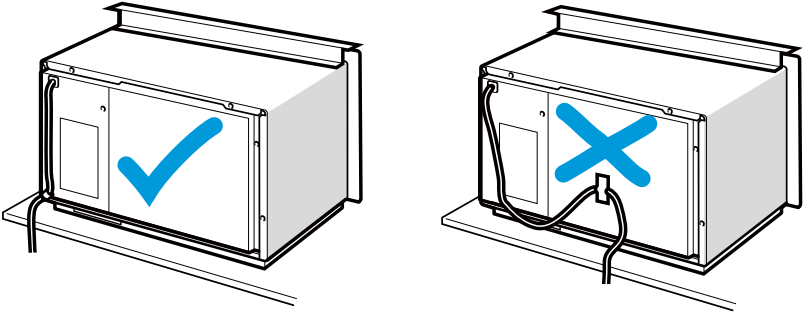
A

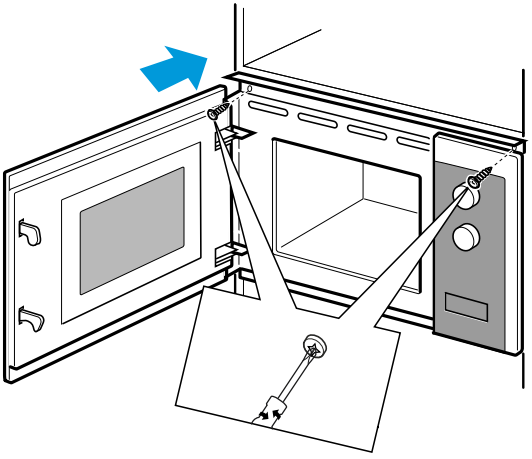


B



# 2





3.

