



# 嵌入式氣體煮食爐

Built-In Gas Cooking Range

PH8275B  
PH8275B-LP  
PH8386B  
PH8386B-LP

在使用之前請詳細閱讀「使用說明書」及「保用條例」，並妥為保存。  
Please read these instructions and warranty information carefully before use  
and keep them handy for future reference.



使用說明書 OPERATING INSTRUCTIONS

# 目錄 Table Of Contents

---

|                                |    |
|--------------------------------|----|
| 注意事項 Notice Before Use         | 03 |
| 產品結構 Product Structure         | 05 |
| 安裝說明 Installation Instructions | 06 |
| 操作說明 Operating Instructions    | 09 |
| 清潔與保養 Care & Maintenance       | 10 |
| 常見故障及處理 Troubleshooting        | 11 |
| 技術規格 Technical Specifications  | 12 |

## 注意！

根據香港氣體安全條例，任何氣體裝置工程，包括爐具和接駁喉管的安裝，必須由註冊氣體裝置技工執行，該技工已於相關的氣體工程類別註冊及受聘於註冊氣體工程承辦商。

### A. 石油氣接駁

- 使用軟喉接駁：請使用合格印有機電工程署批准標記(例如：機電工程署批准EMSD APPROVAL GTXXXX字樣)之軟喉及氣掣進行接駁，由爐後面喉咀接駁至供氣點。
- 使用不鏽鋼網喉接駁：請使用合格印有機電工程署批准標記(例如：機電工程署批准EMSD APPROVAL GTXXXX字樣)之不鏽鋼網喉及氣掣進行接駁，由爐後面 $\frac{1}{2}$ 吋B.S.P喉牙接駁至供氣點。

### B. 煤氣接駁

請使用合格印有機電工程署批准標記(例如：機電工程署批准EMSD APPROVAL GTXXXX字樣)之不鏽鋼網喉及氣掣進行接駁，由爐後面 $\frac{1}{2}$ 吋B.S.P喉牙接駁至供氣點。

## ATTENTION!

According to the Gas Safety Ordinance of Hong Kong, any gas installation works including the installation of appliances and connection tubing, must be undertaken by registered gas installers who are registered for that appropriate classes and be employed by registered gas contractors.

### A. LPG Connection

- Tubing connection: please use approved flexible tubing bearing EMSD approval marking (eg. "EMSD APPROVAL GTXXXX") accessories and gas cock for connecting from back of the unit to the gas supply point.
- Stainless steel braided flexible hose connection: Please use approved stainless steel braided flexible tubing bearing EMSD approval marking (eg. "EMSD APPROVAL GTXXXX") accessories and gas cock for connecting from  $\frac{1}{2}$  inch B.S.P at back of the unit to the gas supply point.

### B. Town Gas Connection

Please use approved stainless steel braided flexible tubing bearing EMSD approval marking (eg. "EMSD APPROVAL GTXXXX") gas cock for connecting from  $\frac{1}{2}$  inch B.S.P at back of the unit to the gas supply point.

# 注意事項 Notice Before Use

## 重要說明

為安全起見，初次使用產品前請先細閱本說明書，並保存說明書，以便作參考之用。

本產品只供家居使用。請必須依照本說明書內的指示安裝及操作。

1. 必須由註冊氣體裝置技工安裝此爐具。
2. 請確保爐具使用範圍內通風良好，避免室內缺氧。
3. 此爐具只適用於烹飪，不可用於烘乾衣物、毛巾等。
4. 於長時間使用時，請打開窗戶或開啟抽風設備，確保室內空氣流通。
5. 使用爐具後請檢查所有控制鍵有否扭回關閉位置。
6. 如爐火於使用中意外地被吹熄，安全閥會自動切斷氣源，於一分鐘後才可重新點火。
7. 煮油或脂肪時請特別小心控制爐火，因此類食物很容易因過熱而搶火。
8. 使用爐具時，請勿使用噴霧劑或壓縮氣體等，以免發生危險。
9. 於點火後檢查爐火是否平均正常；拿走煮食器皿時，先把爐火調小或關閉。
10. 請勿放置任何吸熱墊等物品於爐架與煮食器皿之間，避免對爐具造成嚴重損壞。
11. 請勿取出爐架配用其他鍋架等，以免令爐面過熱損壞。
12. 請勿用過大或過重之煮食器皿壓於爐架上，以免損壞爐架及令過多熱量反射回爐面，造成損壞。
13. 把煮食器皿穩固放於爐架正中位置，避免傾側。
14. 本煮食爐的最高負載重量為10公斤。

## Important

For safety purpose, you should read the instructions carefully before using the appliance for the first time. Save the instructions for future reference.

The appliance is designed for domestic use and may only be installed and operated in accordance with these instructions for use.

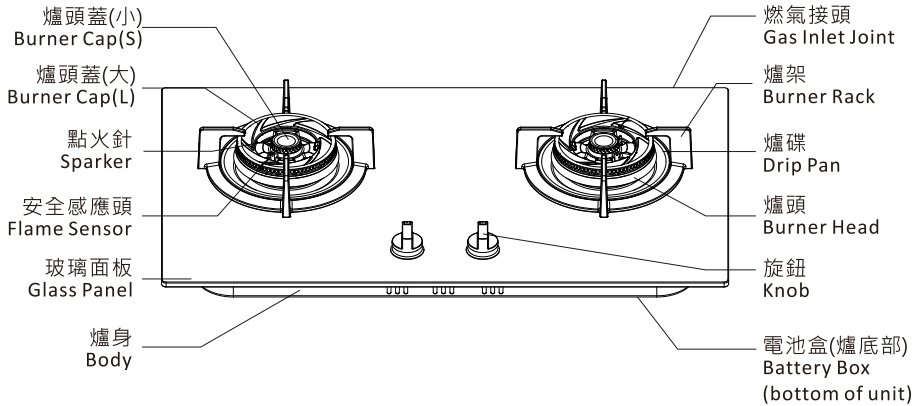
1. The cooking range must be installed by registered gas installers.
2. Ensure that the cooking range is used with good ventilation. Environment with insufficient oxygen should be avoided.
3. This built-in range is to be used for cooking only. Do not dry towels, clothes, etc, over it.
4. During long period of use, open window or exhaust fan to ensure good ventilation.
5. Check that all control knobs have been set to "Off" position after use.
6. If the flame is blown out during use, the safety valve will cut off gas supply. Ignite again after at least 1 minute.
7. Take extra care when cooking oil or fat. High temperature of oil or fat may cause fire hazard.
8. To avoid hazard, do not use spray or compressed gas when the cooking range is in use.
9. After ignition, check if the flame is even and normal. Before removing cookware away from the flame, always set to small flame or "Off" position.
10. To avoid damage to the cooking range, do not place any hot mat between the range rack and the utensil.
11. Do not use burner rack other than the one provided. Otherwise, it will cause overheat to the range surface.
12. Do not use over-size or over-weight utensils. Or it will cause excessive heat to be reflected back onto the range surface.
13. Place the utensil steadily on the range rack. Do not tilt the utensil.
14. Maximum load weight for this gas hob is 10kg.

# 注意事項 Notice Before Use

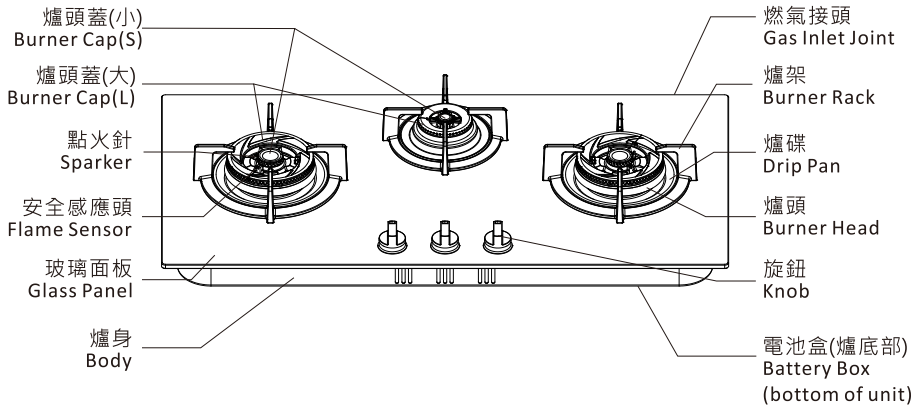
---

15. 如需維修或更換零件，請與本公司維修部聯絡，並必須使用原廠配件。在保養期內，如因人為損壞、錯誤或不恰當使用爐具而導致之損壞，本公司會收取零件及維修費用。
  16. 當在灶櫃面安裝嵌入式氣體煮食爐時，灶櫃應設有透氣設施，以確保煮食爐在使用時操作正常。
  17. 不應將易燃物料、噴霧及壓縮容器放置在灶櫃內。
  18. 此煮食爐的面板是用強化玻璃製造，較一般玻璃安全。唯使用嵌入式玻璃面板煮食爐時還須注意以下事項，以避免玻璃面板爆裂：
    - I. 經常清潔爐頭組件以保持火蓋焰孔暢通，如滾瀉食物及汁液，應在爐頭組件冷卻後儘快作出妥善清理。
    - II. 如煮食爐出現不尋常聲音，應即停用並安排氣體供應公司或爐具進口商檢查。
    - III. 切勿使用過大的器皿，煮食器皿直徑應小於34cm。
    - IV. 切勿以硬物撞擊或將重物放置於玻璃面板。
15. Contact the service department of the authorized agent for repair and parts replacement. During guarantee period, Gilman Group Ltd. will reserve the right to charge for spare parts and service fees if the damage is caused by misuse or improper installation.
  16. When installing built-in gas hob on top of stove cabinet, please check that there is provision for ventilation at the cabinet to ensure proper operation of the gas hob.
  17. Do not store any flammable materials, sprays or pressurized containers inside the stove cabinet.
  18. The panel of this built-in hob is made of tempered glass which is safer than normal glass for this application. However, the following safety precautions for using built-in hob with glass top panel should also be noted in order to prevent the glass top panel from breaking:
    - I. Clean the burner assembly frequently to maintain a clear gas passage on the flame distributor. Clean and tidy up the flame distributor after spillage of food and liquid once the burner assembly cooled down.
    - II. Turn off the gas appliance immediately if abnormal noise propagates from the gas appliance and contact gas supply company or gas hob importer for inspection.
    - III. Do not use oversized utensils for cooking, utensil size should be less than 34cm.
    - IV. Do not impact the glass surface with hard objects or place heavy objects on the glass surface.

# 產品結構 Product Structure



PH8275B/PH8275B-LP



PH8386B/PH8386B-LP

This figure is made for reference purpose only. Please refer to actual component parts.

圖片僅供參考,實際外形請參考實物

# 安裝說明 Installation Instructions

---

## 注意

所有爐具必須由註冊氣體裝置技工安裝，切勿自行安裝，否則一切後果本公司概不負責。

- 使用氣體煮食爐時會產生熱氣及濕氣，廚房必須保持空氣流通。可開啟自然風窗口或安裝抽氣或排氣裝置。長時間不斷使用氣體煮食爐，需提供額外的通風設備，如打開窗戶或使用有效的通風裝置。
- 爐具須安裝在空氣流通房間內，附近不可放置依然物品如紙張、油類等。
- 爐具須放置在穩固之平面上。
- 如要安裝爐具於易燃物料附近(如木牆、木架)，兩側須距離15cm(6英吋)以上，此爐具的安裝位置應與周圍易燃物料距離15 cm以上。
- 距離底部不少於25mm(1英吋)。
- 不需安裝外置氣體穩壓器。

## Attention

The gas cooking range must be installed by registered gas installers. Otherwise, Gilman Group Ltd. Will not be responsible for any damages.

- The use of a gas cooking appliance produces heat and moisture, so it is essential to ensure that the kitchen is well ventilated. Keep natural ventilation windows open or install a mechanical ventilation device(mechanical extractor hood). Prolonged intensive use of the appliance may call for additional ventilation, for example opening windows or increasing the level of mechanical ventilation where present.
- Install the built-in hob in a well ventilated room and keep it away from any combustible or inflammable objects such as paper or oil.
- Place the built-in hob on a stable and level surface.
- If the unit is to be installed close to combustible surroundings(such as wooden walls, wooden shelves), it should be installed at least 15cm(6") from the side walls, the unit should be installed with a distance of at least 15cm away from surrounding combustible materials.
- Distance from bottom more than 25mm(1").
- External gas governor not required .

# 安裝說明 Installation Instructions

---

## I. 房間內通風

保持正常氣體燃燒及有關房間通風所需之空氣量，體積必須不少於 $20\text{m}^3$ 。空氣應自然流經房間內的固定窗戶或通風口。窗戶或通風口面積最少為 $100\text{cm}^2$ ，並確保不被阻塞。

## II. 氣體接駁

安裝前先查看爐具底部標貼列出的規格是否與安裝地點的氣體及電力供應系統互相符合。爐具標貼列明氣體類別及操作壓力。氣體接駁必須符合有關法例。入氣咀的直徑為 $\frac{1}{2}$ 吋。

## I . Room Ventilation

Give the kitchen the amount of air required for regular gas combustion and for the room to keep well-ventilated-the volume of which must not be less than  $20\text{m}^3$ . Air must naturally flow through permanent opening in the walls of the room. These openings must vent the fumes outdoors and their section must be at least  $100\text{cm}^2$ , and ensure that they may never be blocked.

## II . Gas Connection

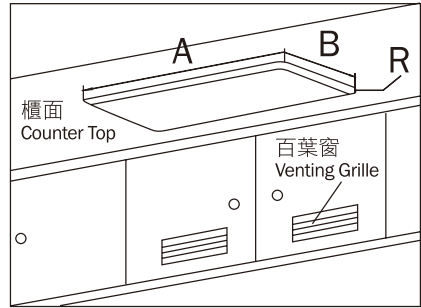
Before connecting the appliance, check that the specifications on the data label affixed to the underside of the hob correspond to those of the gas and electricity mains in the house. A label on the appliance indicates the regulating conditions: Type of gas and working pressure. Gas connection must comply with the pertinent standards and provisions in force. The size of the gas inlet is  $\frac{1}{2}$  inch.

# 安裝說明 Installation Instructions

## III. 櫃面開孔尺寸

| 型號 Model No. | A   | B   | R  |
|--------------|-----|-----|----|
| PH8275B      | 665 | 345 | 50 |
| PH8386B      | 815 | 405 | 50 |

## III. Cut-out Dimensions



## IV. 爐架及爐頭之正確位置

## IV. Correct Position of Burner Rack & Burner Cap

使用前請先確定以下配件已置於正確位置。

Make sure that the following parts are fitted properly before use.

### 1. 爐架

### 1. Burner Rack

爐架正確地安放在爐碟上(圖1)。放置時,請勿傾斜,否則會影響爐火不正常。

Fit burner rack legs into drip pan(Fig.1). Please do not tilt the placement, otherwise it will affect the fire is not normal.

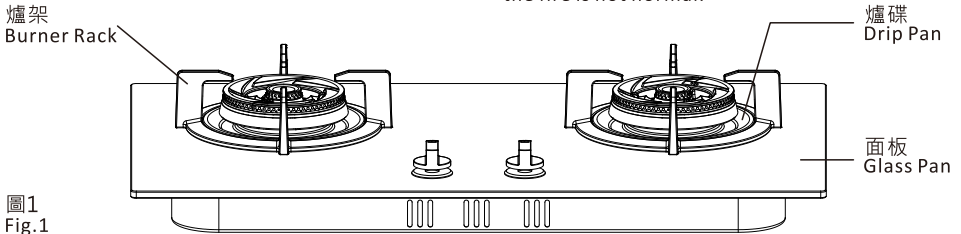


圖1  
Fig.1

### 2. 爐頭蓋

### 2. Burner Cap

爐頭蓋分別放置在爐頭座上(圖2)。放置時請勿傾斜(圖3)。若兩者不正確地放置會導致爐頭被燒壞及可能引致爆玻璃。若兩者不正確地放置有機會導致變形和增加釋放一氧化碳危險。

Fit burner cap into burner head base(Fig.2), properly without gap(Fig.3). If incorrect placement for both of them, it will result in the burn out of burner head and blasting of glass. If incorrect placement for both of them, it may cause out of shape and increase the risk of releasing carbon monoxide(CO).

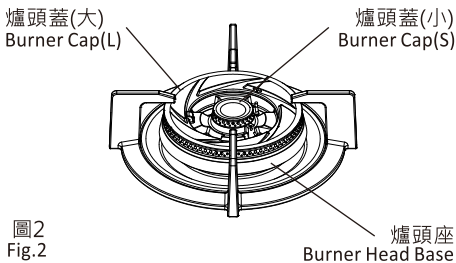


圖2  
Fig.2

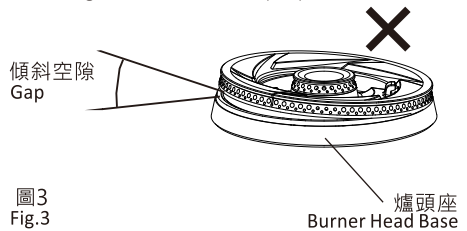


圖3  
Fig.3



# 操作說明 Operating Instructions

## 注意

所有爐具須由合格註冊氣體裝置技工進行安裝、內部調試及接駁喉管。用戶切勿自行安裝或維修。

切勿使用並非由製造商供應的配件，例如錫紙碟，使用錫紙可能導致爐火不正常。

請勿用鋼刷或利器摩擦熄火安全感應頭。

- 1.請一邊按住爐具開關掣一邊向左(開的方向)慢慢地旋轉，隨著“咄咄”的響聲，火花將點燃燃燒器。在確認燃燒器被點燃後即可放手，此爐具帶有自動連續點火功能，點火後無須繼續按壓開關，6至8秒后“咄咄”聲及火花會自動停止。
- 2.將手放開爐具開關掣而爐火仍未點著時，請用同樣的方法再次操作，將手慢慢地放開。
- 3.轉動爐掣，調節爐火至所需火力。
- 4.爐火大小可於“●”及“🔥”位置調節。請緩慢轉動旋鈕調節(圖4及圖5)。
- 5.如爐火熄滅，防漏熄火安全裝置會自動切斷燃氣供應，如有此情況，請將爐掣轉至“●”的位置。
- 6.將爐掣轉回至“●”的位置，爐火便會熄滅。

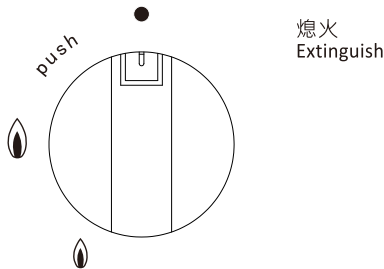


圖4  
Fig.4

## Attention

All cooking ranges must be installed, connected and commissioned by registered gas installers. Do not install or repair the cooking range yourself.

Do not use additional fitting, such as aluminium foil.

Do not clean the top of the sensor with a hard brush, as it may damage the sensor.

1. While pushing the control knob, turn it to the left (towards the "ON" position) slowly until you hear a "click" sound. Electronic spark will ignite burners. Release your hand after confirm the burners is ignited. The hob has automatic continuous ignition function, do not need to continue to push the control knob after ignition. "Click" sound and spark will be stopped automatically after 6-8 seconds.
- 2.If the flame goes out when you release your hand, repeat the ignition procedure again but try release your hand slowly.
- 3.Turn control knob to adjust flame to desirable setting.
- 4.Flame can be adjusted between "●" and "🔥". Please adjust flame slowly(Fig.4&Fig.5).
- 5.If the flame is extinguished while using, the safety device will shut the gas off after a short delay. When this happens, please turn the knob to "●" position.
- 6.Turn the ignition control knob backwards to the "●" position to extinguish the burner.

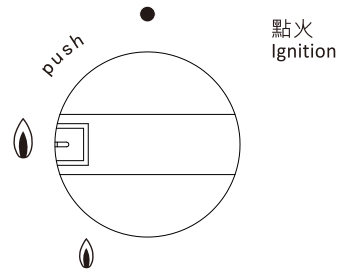


圖5  
Fig.5

# 操作說明 Operating Instructions

---

## 防漏熄火安全裝置生效時的處理方法 及電池更換

- 如爐頭在使用中火焰突然熄滅，防漏熄火安全裝置會自動切斷燃氣供應。如有此情況，請將旋鈕轉至“●”的位置。
- 感應頭十分精密，切勿用粗刷子或其他東西進行清潔。
- 生產商已調校了風位，切勿嘗試自行調校。
- 電池盒在爐身的底部（直流1.5伏特×1）。請將盒蓋打開更換電池。
- 請小心別把乾電池的正、負極弄錯。

## How to handle safety device and change battery

- If the flame is extinguished during operation, the automatic flame failure safety device will shut off gas after a short delay. Turn the knob to “●” position when this happens.
- The safety sensor is very delicate-please do not use hard brushes or rough cleaning pads when cleaning.
- Aeration is preset at factory, please do not attempt to adjust it.
- Battery box is located at bottom(DC1.5V×1). Open the door of battery box and change battery.
- Set battery at correctly polarity(“+” and “-”).

## 清潔與保養 Care & Maintenance

---

### 注意

當爐具尚熱時，且勿進行清洗。

- 1.用柔軟的濕布及中性洗潔精輕抹面板部分。
- 2.用暖水及洗潔精清理爐頭。

### Attention

Do not clean the unit when it is hot.

- 1.Wipe the glass panel with a soft, damp cloth and mild detergent.
- 2.Wash the burner racks and burner heads in warm water and detergent.

# 常見故障及處理 Troubleshooting

| 故障现象<br>Symptoms      | 原因分析<br>Possible cause  | 處理方法<br>Remedies   |
|-----------------------|---|--|
| 點不著火<br>No ignition   | 氣閥沒打開或燃氣用完<br>Gas valve not open or gas uses up                     | 打開氣閥·更換氣源<br>Open gas valve or change gas supply   |
|                       | 氣體接駁喉中有較多空氣<br>Air exist in the gas tubing                          | 延長點火時間·直至氣體接駁喉管內空氣完全排出<br>Prolong ignition time and repeatedly ignite till air goes out                  |
|                       | 氣體接駁喉管彎折或壓扁<br>Gas hose bends                                       | 矯直氣體接駁喉管<br>Straighten it  |
|                       | 噴嘴堵塞<br>Injector clogged  | 用針狀物清除堵塞(由註冊氣體裝置技工跟進)<br>Get rid of the blockage by a pin(carry out by the RGI)                          |
|                       | 點火針髒或位置偏離<br>Ignition plug has soot or in wrong position            | 清潔並調整位置(由註冊氣體裝置技工跟進)<br>Clear or adjust the position(carry out by the RGI)                               |
|                       | 爐頭蓋積水或污物<br>Flame holes of Burner cap are blocked by water or filth | 清潔<br>Cleaning   |
| 有臭味<br>Terrible smell | 氣體接駁喉管老化<br>Gas tubing aged   | 更換氣體接駁喉管(由註冊氣體裝置技工更換)<br>Change with a new gas tubing(carry out by the RGI)                              |
|                       | 爐頭主火未點燃<br>Main fire of burner not lighted                          | 待氣體消散後再重新點火<br>Re-ignite after the gas dispersed   |
|                       | 閥體漏氣<br>Valve not well-sealed                                       | 更換閥體(由註冊氣體裝置技工更換)<br>Change with a new valve(carry out by the RGI)                                       |
| 弱火<br>Weak flame      | 燃氣壓力太低<br>Gas pressure too low                                      | 檢查供氣或看減壓閥是否堵塞(由註冊氣體裝置技工調節)<br>Check gas supply or whether gas regulator is clogged(carry out by the RGI) |
|                       | 爐頭蓋堵塞<br>Ports of burner cap clogged                                | 清潔<br>Clean ports  |

警告：若按上述方法仍無法點火，請即致電本公司作維修，切勿使用其他方法點火。

Warning: If the cooking range cannot be ignited by the above suggested solutions, do not attempt to ignite by other means. Please contact Gilman Group Ltd. for repair.

# 技術規格 Technical Specifications

|                                    |                                |                       |
|------------------------------------|--------------------------------|-----------------------|
| 型號 Model                           | PH8275B                        | PH8275B-LP            |
| 氣體種類 Gas Type                      | 香港煤氣 H.K. Town Gas             | 香港石油氣 H.K. LP Gas     |
| 氣體壓力 Gas Working Pressure          | 1500 Pa                        | 2900 Pa               |
| 額定熱負荷 Rated Heat Input             | (L) 6.0kW / (R) 6.0kW          | (L) 5.0kW / (R) 5.0kW |
| 電壓 Voltage                         | DC1.5V×1                       |                       |
| 點火方式 Ignition Method               | 脈衝點火方式 Impulse Ignition System |                       |
| 安全裝置 Safety Device                 | 有 Yes                          |                       |
| 機身尺寸(毫米)<br>Product Dimensions(mm) | 125 高(H) × 750 闊(W) × 450 深(D) |                       |
| 重量 Weight                          | 15kg                           |                       |

|                                    |                                   |                                   |
|------------------------------------|-----------------------------------|-----------------------------------|
| 型號 Model                           | PH8386B                           | PH8386B-LP                        |
| 氣體種類 Gas Type                      | 香港煤氣 H.K. Town Gas                | 香港石油氣 H.K. LP Gas                 |
| 氣體壓力 Gas Working Pressure          | 1500 Pa                           | 2900 Pa                           |
| 額定熱負荷 Rated Heat Input             | (L) 6.0kW / (M) 2.5kW / (R) 6.0kW | (L) 5.0kW / (M) 1.8kW / (R) 5.0kW |
| 電壓 Voltage                         | DC1.5V×1                          |                                   |
| 點火方式 Ignition Method               | 脈衝點火方式 Impulse Ignition System    |                                   |
| 安全裝置 Safety Device                 | 有 Yes                             |                                   |
| 機身尺寸(毫米)<br>Product Dimensions(mm) | 125 高(H) × 860 闊(W) × 450 深(D)    |                                   |
| 重量 Weight                          | 17.5kg                            |                                   |



Gilman Group Limited  
5/F., DCH Building, 20 Kai Cheung Road,  
Kowloon Bay, Hong Kong  
Customer Service Hotline: 8210 8210  
太平洋行國際有限公司  
香港九龍灣啟祥道20號大昌行集團大廈5樓  
客戶服務熱線：8210 8210