

PHILCO®

PBF7320NF

en
zh
zh

Instruction Manual
冰箱使用說明書
冰箱使用说明书



Please read this user manual first!

Dear Customer,

We hope that your product, which has been produced in modern plants and checked under the most meticulous quality control procedures, will provide you an effective service.

Therefore, read this entire user manual carefully before using the product and keep it as a reference. If you handover the product to someone else, give the user manual as well.

The user manual will help you use the product in a fast and safe way.


- Read the manual before installing and operating the product.
- Make sure you read the safety instructions.
- Keep the manual in an easily accessible place as you may need it later.
- Read the other documents given with the product.

Remember that this user manual is also applicable for several other models. Differences between models will be identified in the manual.

Explanation of symbols

Throughout this user manual the following symbols are used:

 Important information or useful tips.

 Warning against dangerous conditions for life and property.

 Warning against electric voltage.

Recycling



This product is supplied with the selective sorting symbol for waste electrical and electronic equipment (WEEE).

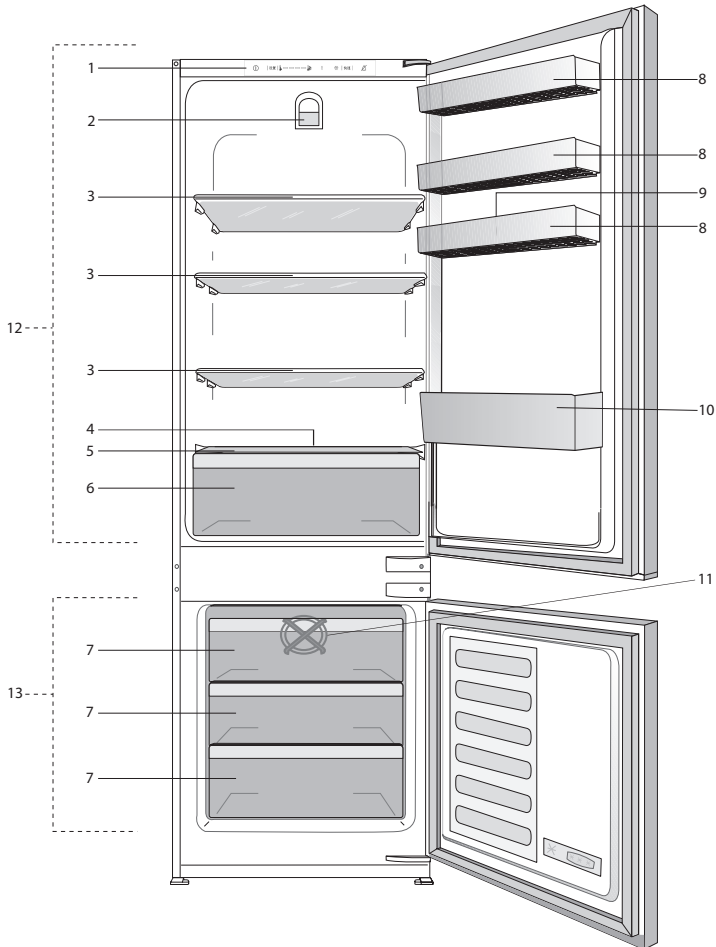
This means that this product must be handled pursuant to European Directive 2002/96/EC in order to be recycled or dismantled to minimise its impact on the environment. For further information, please contact your local or regional authorities.

Electronic products not included in the selective sorting process are potentially dangerous for the environment and human health due to the presence of hazardous substances.

CONTENTS

1 Your refrigerator	3	4 Preparation	10
2 Important Safety Warnings	4	5 Using your refrigerator	11
Intended use	4	Control panel	11
General safety	4	Defrost	12
For products with a water dispenser...	6	6 Maintenance and cleaning	13
Child safety.....	6	Protection of plastic surfaces.....	13
HCA warning	6	7 Troubleshooting	14
Things to be done for energy saving ..	6		
3 Installation	7		
Points to be paid attention to when the relocation of the refrigerator	7		
Before you start the refrigerator,.....	7		
Electrical connection.....	7		
Disposing of the packaging	8		
Disposing of your old refrigerator	8		
Placing and Installation	8		
Replacing the interior lamp	8		
Reversing the doors	9		

1 Your refrigerator



- | | |
|---|--------------------------------|
| 1. Control panel | 7. Freezer compartment drawers |
| 2. Interior light | 8. Adjustable door shelves |
| 3. Adjustable shelves | 9. Egg tray |
| 4. Defrost water collection channel
- drain tube | 10. Bottle shelf |
| 5. Crisper cover | 11. Freezer fan |
| 6. Crisper | 12. Fridge compartment |
| | 13. Freezer compartment |

i Figures that take place in this instruction manual are schematic and may not correspond exactly with your product. If the subject parts are not included in the product you have purchased, then it is valid for other models.

2 Important Safety Warnings

Please review the following information. Failure to observe this information may cause injuries or material damage. Otherwise, all warranty and reliability commitments will become invalid.

Original Spare parts will be provided for 10 years, following the product purchasing date.

Intended use

This product is intended to be used

- indoors and in closed areas such as homes;
- in closed working environments such as stores and offices;
- in closed accommodation areas such as farm houses, hotels, pensions.
- It should not be used outdoors.

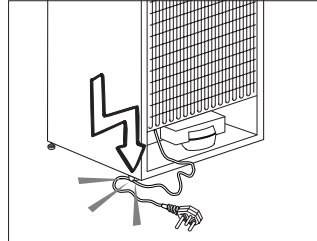
General safety

- When you want to dispose/scrap the product, we recommend you to consult the authorized service in order to learn the required information and authorized bodies.
- Consult your authorized service for all your questions and problems related to the refrigerator. Do not intervene or let someone intervene to the refrigerator without notifying the authorised services.
- For products with a freezer compartment; Do not eat cone ice cream and ice cubes immediately after you take them out of the freezer compartment! (This may cause frostbite in your mouth.)
- For products with a freezer compartment; Do not put bottled and canned liquid beverages in the freezer compartment. Otherwise, these may burst.

- Do not touch frozen food by hand; they may stick to your hand.
- Unplug your refrigerator before cleaning or defrosting.
- Vapor and vaporized cleaning materials should never be used in cleaning and defrosting processes of your refrigerator. In such cases, the vapor may get in contact with the electrical parts and cause short circuit or electric shock.
- Never use the parts on your refrigerator such as the door as a means of support or step.
- Do not use electrical devices inside the refrigerator.
- Do not damage the parts, where the refrigerant is circulating, with drilling or cutting tools. The refrigerant that might blow out when the gas channels of the evaporator, pipe extensions or surface coatings are punctured causes skin irritations and eye injuries.
- Do not cover or block the ventilation holes on your refrigerator with any material.
- Electrical devices must be repaired by only authorised persons. Repairs performed by incompetent persons create a risk for the user.
- In case of any failure or during a maintenance or repair work, disconnect your refrigerator's mains supply by either turning off the relevant fuse or unplugging your appliance.
- Do not pull by the cable when pulling off the plug.
- Place the beverage with higher proofs tightly closed and vertically.

- Never store spray cans containing flammable and explosive substances in the refrigerator.
- Do not use mechanical devices or other means to accelerate the defrosting process, other than those recommended by the manufacturer.
- This product is not intended to be used by persons with physical, sensory or mental disorders or unlearned or inexperienced people (including children) unless they are attended by a person who will be responsible for their safety or who will instruct them accordingly for use of the product.
- Do not operate a damaged refrigerator. Consult with the service agent if you have any concerns.
- Electrical safety of your refrigerator shall be guaranteed only if the earth system in your house complies with standards.
- Exposing the product to rain, snow, sun and wind is dangerous with respect to electrical safety.
- Contact authorized service when there is a power cable damage to avoid danger.
- Never plug the refrigerator into the wall outlet during installation. Otherwise, risk of death or serious injury may arise.
- This refrigerator is intended for only storing food items. It must not be used for any other purpose.
- Label of technical specifications is located on the left wall inside the refrigerator.
- Never connect your refrigerator to electricity-saving systems; they may damage the refrigerator.
- If there is a blue light on the refrigerator, do not look at the blue light with optical tools.
- For manually controlled refrigerators, wait for at least 5 minutes to start the refrigerator after power failure.

- This operation manual should be handed in to the new owner of the product when it is given to others.
- Avoid causing damage on power cable when transporting the refrigerator. Bending cable may cause fire. Never place heavy objects on power cable.
- Do not touch the plug with wet hands when plugging the product.



- Do not plug the refrigerator if the wall outlet is loose.
- Water should not be sprayed on inner or outer parts of the product for safety purposes.
- Do not spray substances containing inflammable gases such as propane gas near the refrigerator to avoid fire and explosion risk.
- Never place containers filled with water on top of the refrigerator; in the event of spillages, this may cause electric shock or fire.
- Do not overload the refrigerator with food. If overloaded, the food items may fall down and hurt you and damage refrigerator when you open the door.
- Never place objects on top of the refrigerator; otherwise, these objects may fall down when you open or close the refrigerator's door.
- As they require a precise temperature, vaccines, heat-sensitive medicine and scientific materials and etc. should not be kept in the refrigerator.

- If not to be used for a long time, refrigerator should be unplugged. A possible problem in power cable may cause fire.
- The plug's tip should be cleaned regularly with a dry cloth; otherwise, it may cause fire.
- Refrigerator may move if adjustable legs are not properly secured on the floor. Properly securing adjustable legs on the floor can prevent the refrigerator to move.
- When carrying the refrigerator, do not hold it from door handle. Otherwise, it may be snapped.
- When you have to place your product next to another refrigerator or freezer, the distance between devices should be at least 8 cm. Otherwise, adjacent side walls may be humidified.

For products with a water dispenser;

Pressure of water mains should be minimum 1 bar. Pressure of water mains should be maximum 8 bars.

- Use only potable water.

Child safety

- If the door has a lock, the key should be kept away from reach of children.
- Children must be supervised to prevent them from tampering with the product.

HCA warning If your product's cooling system contains R600a:

This gas is flammable. Therefore, pay attention to not damaging the cooling system and piping during usage and transportation. In the event of damage, keep your product away from potential fire sources that can cause the product catch a fire and ventilate the room in which the unit is placed.

Ignore this warning if your product's cooling system contains R134a.

Type of gas used in the product is stated in the type label which is on the left wall inside the refrigerator.

Never throw the product in fire for disposal.

Things to be done for energy saving

- Do not leave the doors of your refrigerator open for a long time.
- Do not put hot food or drinks in your refrigerator.
- Do not overload your refrigerator so that the air circulation inside of it is not prevented.
- Do not install your refrigerator under direct sunlight or near heat emitting appliances such as ovens, dishwashers or radiators. Keep your refrigerator at least 30 cm away from heat emitting sources and at least 5 cm from electrical ovens.
- Pay attention to keep your food in closed containers.
- For products with a freezer compartment; You can store maximum amount of food items in the freezer when you remove the shelf or drawer of the freezer. Energy consumption value stated for your refrigerator has been determined by removing freezer shelf or drawer and under maximum load. There is no harm to use a shelf or drawer according to the shapes and size of food to be frozen.
- Thawing frozen food in fridge compartment will both provide energy saving and preserve the food quality.

3 Installation

⚠ In case the information which are given in the user manual are not taken into account, manufacturer will not assume any liability for this.

Points to be paid attention to when the relocation of the refrigerator

1. Your refrigerator should be unplugged. Before transportation of your refrigerator, it should be emptied and cleaned.
2. Before it is re-packaged, shelves, accessories, crisper, etc. inside your refrigerator should be fixed with adhesive tape and secured against impacts. Package should be bound with a thick tape or sound ropes and the transportation rules on the package should be strictly observed.
3. Original packaging and foam materials should be kept for future transportations or moving.

Before you start the refrigerator,

Check the following before you start to use your refrigerator:

1. Is the interior of the refrigerator dry and can the air circulate freely in the rear of it?
2. Clean the interior of the refrigerator as recommended in the "Maintenance and cleaning" section.
3. Connect the plug of the refrigerator to the wall socket. When the fridge door is opened, fridge internal lamp will turn on.

4. When the compressor starts to operate, a sound will be heard. The liquid and gases sealed within the refrigeration system may also give rise to noise, even if the compressor is not running and this is quite normal.
5. Front edges of the refrigerator may feel warm. This is normal. These areas are designed to be warm to avoid condensation.

Electrical connection

Connect your product to a grounded socket which is being protected by a fuse with the appropriate capacity.

Important:

The connection must be in compliance with national regulations.

- The power plug must be easily accessible after installation.
- Electrical safety of your refrigerator shall be guaranteed only if the earth system in your house complies with standards.
- The voltage stated on the label located at left inner side of your product should be equal to your network voltage.
- **Extension cables and multi plugs must not be used for connection.**

⚠ A damaged power cable must be replaced by a qualified electrician.

⚠ Product must not be operated before it is repaired! There is the risk of electric shock!

Disposing of the packaging

The packing materials may be dangerous for children. Keep the packing materials out of the reach of children or dispose of them by classifying them in accordance with the waste instructions stated by your local authorities. Do not throw away with regular house waste, throw away on packaging pick up spots designated by the local authorities. The packing of your refrigerator is produced from recyclable materials.

Disposing of your old refrigerator

Dispose of your old refrigerator without giving any harm to the environment.

- You may consult your authorized dealer or waste collection center of your municipality about the disposal of your refrigerator.

Before disposing of your refrigerator, cut out the electric plug and, if there are any locks on the door, make them inoperable in order to protect children against any danger.

Placing and Installation

⚠ If the entrance door of the room where the refrigerator will be installed is not wide enough for the refrigerator to pass through, then call the authorized service to have them remove the doors of your refrigerator and pass it sideways through the door.

1. Install your refrigerator to a place that allows ease of use.
2. Keep your refrigerator away from heat sources, humid places and direct sunlight.
3. There must be appropriate air ventilation around your refrigerator in order to achieve an efficient operation. If the refrigerator is to be placed in a recess in the wall, there must be at least 5 cm distance with the ceiling and at least 5 cm with the wall. Do not place your product on the materials such as rug or carpet.
4. Place your refrigerator on an even floor surface to prevent jolts.
5. Do not keep your refrigerator in ambient temperatures under 16°C.

Replacing the interior lamp

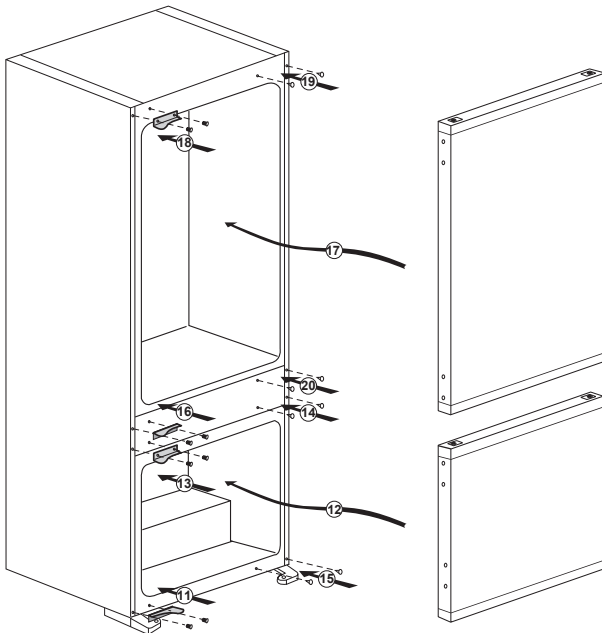
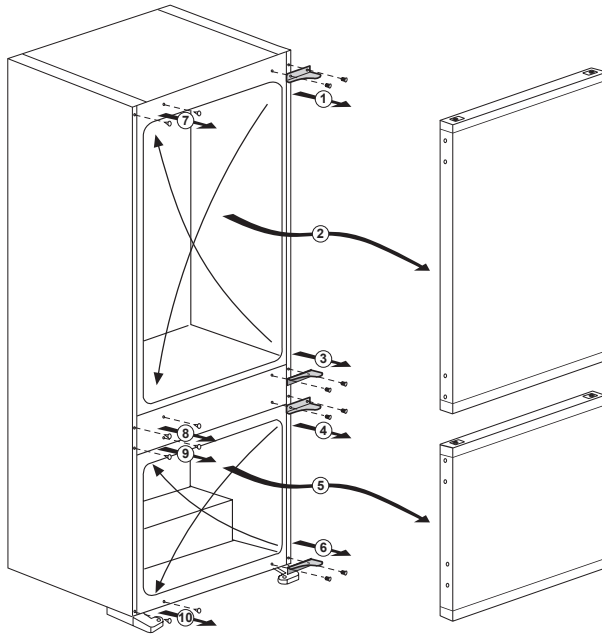
To change the Bulb/LED used for illumination of your refrigerator, call your Authorised Service.

The lamp(s) used in this appliance is not suitable for household room illumination. The intended purpose of this lamp is to assist the user to place foodstuffs in the refrigerator/freezer in a safe and comfortable way.

The lamps used in this appliance have to withstand extreme physical conditions such as temperatures below -20°C.

Reversing the doors

Proceed in numerical order.

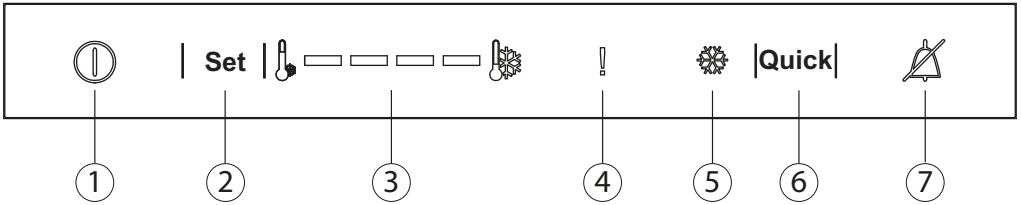


4 Preparation

- Your refrigerator should be installed at least 30 cm away from heat sources such as hobs, ovens, central heater and stoves and at least 5 cm away from electrical ovens and should not be located under direct sunlight.
- The ambient temperature of the room where you install your refrigerator should at least be 16°C. Operating your refrigerator under cooler conditions is not recommended with regard to its efficiency.
- Please make sure that the interior of your refrigerator is cleaned thoroughly.
- If two refrigerators are to be installed side by side, there should be at least 2 cm distance between them.
- When you operate your refrigerator for the first time, please observe the following instructions during the initial six hours.
- The door should not be opened frequently.
- It must be operated empty without any food in it.
- Do not unplug your refrigerator. If a power failure occurs out of your control, please see the warnings in the “Recommended solutions for the problems” section.
- Original packaging and foam materials should be kept for future transportations or moving.

5 Using your refrigerator

Control Panel



1- On/Off function

Press the On/Off button for 3 seconds to turn off or turn on the fridge.

2- Fridge Set Function

This function allows you to make the fridge compartment temperature setting. Press this button to set the temperature of the fridge compartment to - (warmest), --, ---, ----, ----- (coldest) respectively.

3- Fridge Compartment Temperature Setting Indicator

Indicates the temperature set for the Fridge Compartment. Settings are - (warmest), --, ---, ----, ----- (coldest).

4- High Temperature Error / Warning Indicator

This light comes on during high temperature failures and error warnings.

5- Quick Fridge Indicator

This icon lits when the Quick Fridge function is active.

6-Quick Fridge Function

When you press Quick Fridge button, the temperature of the compartment will be colder than the adjusted values.

This function can be used for food placed in the fridge compartment and required to be cooled down rapidly.

If you want to cool large amounts of fresh food, it is recommended to active this feature before putting the food into the fridge. Quick Fridge indicator will remain lit when the Quick Fridge function is enabled. To cancel this function press Quick Fridge button again. Quick Fridge indicator will turn off and return to its normal settings.

If you do not cancel it, Quick Fridge will cancel itself automatically after 8 hours or when the fridge compartment reaches to the required temperature. This function is not recalled when power restores after a power failure.

7- Alarm Off

When the fridge door is opened for 2 minutes or when there a sensor failure, a sound alarm turns on. Alarm can be turned off by pressing "Alarm Off" button.

Sensor failure alarm will not sound till power failure. If you close the door and then open again "Door open alarm" will be activated again after 2 minutes later.

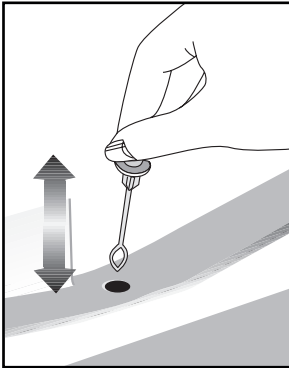
Defrost

A) Fridge compartment

Fridge compartment performs full-automatic defrosting.

Water drops and a frosting up to 7-8 mm can occur on the inner rear wall of the fridge compartment while your refrigerator cools down. Such formation is normal as a result of the cooling system. The frost formation is defrosted by performing automatic defrosting with certain intervals thanks to the automatic defrosting system of the rear wall. User is not required to scrape the frost or remove the water drops. Water resulting from the defrosting passes from the water collection groove and flows into the evaporator through the drain pipe and evaporates here by itself.

Check regularly to see if the drain pipe is clogged or not and clear it with the stick in the hole when necessary.



B) Freezer compartment

The freezer compartment defrosts automatically.

Warnings!

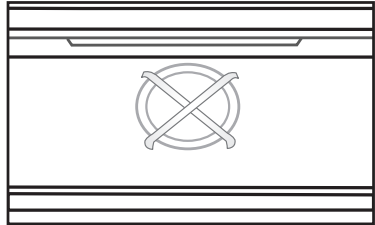
The fan inside the freezer compartment circulates cold air. Never insert any object through the guard. Do not allow children to play with the freezer fan.

Never store products that contain inflammable propellant gas (e.g. dispensers, spray cans etc.) or explosive substances.

Don't cover the shelves with any protective materials, which may obstruct air circulation.

Do not allow children to play with appliance or tamper with the controls.

Do not obstruct the freezer fan guard to ensure that you obtain the best possible performance from your appliance.



6 Maintenance and cleaning

- ⚠ Never use gasoline, benzene or similar substances for cleaning purposes.
- ⚠ We recommend that you unplug the appliance before cleaning.
- ⚠ Never use any sharp abrasive instrument, soap, household cleaner, detergent and wax polish for cleaning.
- ℹ Use lukewarm water to clean the cabinet of your refrigerator and wipe it dry.
- ℹ Use a damp cloth wrung out in a solution of one teaspoon of bicarbonate of soda to one pint of water to clean the interior and wipe it dry.
- ⚠ Make sure that no water enters the lamp housing and other electrical items.
- ⚠ If your refrigerator is not going to be used for a long period of time, unplug the power cable, remove all food, clean it and leave the door ajar.
- ℹ Check door seals regularly to ensure they are clean and free from food particles.
- ⚠ To remove door racks, remove all the contents and then simply push the door rack upwards from the base.
- ⚠ Never use cleaning agents or water that contain chlorine to clean the outer surfaces and chromium coated parts of the product. Chlorine causes corrosion on such metal surfaces.

Protection of plastic surfaces

- ℹ Do not put the liquid oils or oil-cooked meals in your refrigerator in unsealed containers as they damage the plastic surfaces of your refrigerator. In case of spilling or smearing oil on the plastic surfaces, clean and rinse the relevant part of the surface at once with warm water.

7 Troubleshooting

Please review this list before calling the service. It will save your time and money. This list includes frequent complaints that are not arising from defective workmanship or material usage. Some of the features described here may not exist in your product.

The refrigerator does not operate.
<ul style="list-style-type: none">• The plug is not inserted into the socket correctly. >>>Insert the plug into the socket securely.• The fuse of the socket which your refrigerator is connected to or the main fuse have blown out. >>>Check the fuse.
Condensation on the side wall of the fridge compartment (MULTIZONE, COOL CONTROL and FLEXI ZONE).
<ul style="list-style-type: none">• Ambient is very cold. >>>Do not install the refrigerator in places where the temperature falls below 16 °C.• Door has been opened frequently. >>>Do not open and close the door of refrigerator frequently.• Ambient is very humid. >>>Do not install your refrigerator into highly humid places.• Food containing liquid is stored in open containers. >>>Do not store food with liquid content in open containers.• Door of the refrigerator is left ajar. >>>Close the door of the refrigerator.• Thermostat is set to a very cold level. >>>Set the thermostat to a suitable level.
Compressor is not running
<ul style="list-style-type: none">• Protective thermic of the compressor will blow out during sudden power failures or plug-out plug-ins as the refrigerant pressure in the cooling system of the refrigerator has not been balanced yet. The refrigerator will start running approximately after 6 minutes. Please call the service if the refrigerator does not startup at the end of this period.• The fridge is in defrost cycle. >>>This is normal for a full-automatically defrosting refrigerator. Defrosting cycle occurs periodically.• The refrigerator is not plugged into the socket. >>>Make sure that the plug is fit into the socket.• Temperature settings are not made correctly. >>>Select the suitable temperature value.• There is a power outage. >>>Refrigerator returns to normal operation when the power restores.

The operation noise increases when the refrigerator is running.

- The operating performance of the refrigerator may change due to the changes in the ambient temperature. It is normal and not a fault.

The refrigerator is running frequently or for a long time.

- New product may be wider than the previous one. Larger refrigerators operate for a longer period of time.
- The room temperature may be high. >>>It is normal that the product operates for longer periods in hot ambient.
- The refrigerator might be plugged in recently or might be loaded with food. >>>When the refrigerator is plugged in or loaded with food recently, it will take longer for it to attain the set temperature. This is normal.
- Large amounts of hot food might be put in the refrigerator recently. >>>Do not put hot food into the refrigerator.
- Doors might be opened frequently or left ajar for a long time. >>>The warm air that has entered into the refrigerator causes the refrigerator to run for longer periods. Do not open the doors frequently.
- Freezer or fridge compartment door might be left ajar. >>>Check if the doors are closed completely.
- The refrigerator is adjusted to a very low temperature. >>>Adjust the refrigerator temperature to a warmer degree and wait until the temperature is achieved.
- Door seal of the fridge or freezer may be soiled, worn out, broken or not properly seated. >>>Clean or replace the seal. Damaged/broken seal causes the refrigerator to run for a longer period of time in order to maintain the current temperature.

Freezer temperature is very low while the fridge temperature is sufficient.

- The freezer temperature is adjusted to a very low value. >>>Adjust the freezer temperature to a warmer degree and check.

Fridge temperature is very low while the freezer temperature is sufficient.

- The fridge temperature is adjusted to a very low value. >>>Adjust the fridge temperature to a warmer degree and check.

Food kept in the fridge compartment drawers is frozen.

- The fridge temperature is adjusted to a very high value. >>>Adjust the fridge temperature to a lower value and check.

Temperature in the fridge or freezer is very high.

- The fridge temperature is adjusted to a very high value. >>>Fridge compartment temperature setting has an effect on the temperature of the freezer. Change the temperatures of the fridge or freezer and wait until the relevant compartments attain a sufficient temperature.
- Doors are opened frequently or left ajar for a long time. >>>Do not open the doors frequently.
- Door is ajar. >>>Close the door completely.
- The refrigerator is plugged in or loaded with food recently. >>>This is normal. When the refrigerator is plugged in or loaded with food recently, it will take longer for it to attain the set temperature.
- Large amounts of hot food might be put in the refrigerator recently. >>>Do not put hot food into the refrigerator.

Vibrations or noise.

- The floor is not level or stable. >>> If the refrigerator rocks when moved slowly, balance it by adjusting its feet. Also make sure that the floor is strong enough to carry the refrigerator, and level.
- The items put onto the refrigerator may cause noise. >>>Remove the items on top of the refrigerator.

There are noises coming from the refrigerator like liquid flowing, spraying, etc.

- Liquid and gas flows occur in accordance with the operating principles of your refrigerator. It is normal and not a fault.

Whistle comes from the refrigerator.

- Fans are used in order to cool the refrigerator. It is normal and not a fault.

Condensation on the inner walls of refrigerator.

- Hot and humid weather increases icing and condensation. It is normal and not a fault.
- Doors are opened frequently or left ajar for a long time. >>>Do not open the doors frequently. Close them if they are open.
- Door is ajar. >>>Close the door completely.

Humidity occurs on the outside of the refrigerator or between the doors.

- There might be humidity in the air; this is quite normal in humid weather. When the humidity is less, condensation will disappear.

Bad odour inside the refrigerator.

- No regular cleaning is performed. >>>Clean the inside of the refrigerator regularly with a sponge, lukewarm water or carbonate dissolved in water.
- Some containers or package materials may cause the smell. >>>Use a different container or different brand packaging material.
- Food is put into the refrigerator in uncovered containers. >>>Keep the food in closed containers. Microorganisms spreading out from uncovered containers can cause unpleasant odours.
- Remove the foods that have expired best before dates and spoiled from the refrigerator.

The door is not closing.

- Food packages are preventing the door from closing. >>>Replace the packages that are obstructing the door.
- The refrigerator is not completely even on the floor. >>>Adjust the feet to balance the refrigerator.
- The floor is not level or strong. >>>Make sure that the floor is level and capable to carry the refrigerator.

Crispers are stuck.

- The food is touching the ceiling of the drawer. >>>Rearrange food in the drawer.

請首先閱讀本手冊

親愛的顧客，

我們的產品使用先進設備生產，並通過嚴格的品質控制步驟檢測，希望為您提供高效的服務。

因此，建議您在使用本產品前仔細閱讀本手冊，並妥善保管，以備日後參考。

本手冊

- 說明您快速、安全地使用本裝置。
- 安裝和操作本產品前，閱讀本手冊。
- 遵循說明，尤其是安全方面。
- 將手冊置於觸手可及之處，以便隨時參考。
- 此外，也請閱讀本產品附帶的其它檔。請注意，本手冊可能也適用於其它型號。

符號及其說明

本手冊包含下列符號：

- ⓘ 重要資訊或者有用的使用提示。
- ⚠ 防止生命和財產危險的警告。
- ⚡ 電壓警告。



警告!

您的冰箱的製冷系統含有天然的無 物質 R600a，絕熱材料中含有環戊烷，這些物質如果暴露在火中有爆炸的危險。

- 警告- 在冰箱周圍，保持通風暢通。
- 警告- 除了製造商建議的方法外，不要使用機械的或其他的方法加速除霜的過程。
- 警告- 不要損壞冰箱的製冷管路。
- 警告- 不要在冰箱的間室內使用電器，除非這是製造商推薦的類型。

可回收



本產品具有報廢電子電氣設備指令（WEEE）的分類標誌。

這意味著本產品必須根據歐洲指令 2002/96/EC 進行回收或拆除，以使其環境影響降至最低。

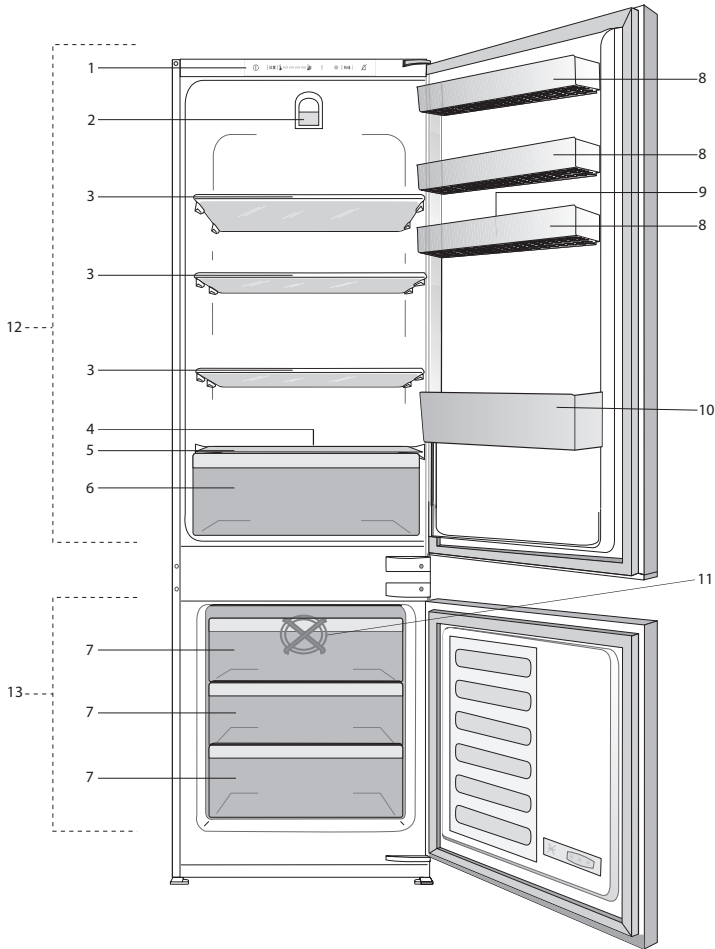
欲瞭解更多詳情，請聯繫當地或區域相關機構。

未列入分類過程的電子產品可能會對環境和健康造成危害，因為電子產品含有有害物質。

目錄

1 您的冰箱	3	4 準備	8
2 重要安全警告	4	5 使用冰箱	9
指定使用.....	4	控制台	9
一般安全性.....	4	除霜.....	10
對於配備飲水機的產品:.....	5		
兒童安全.....	5		
HCA 警告	5	6 維護和清潔	11
節能措施.....	5	保護塑膠表面.....	11
3 安裝	6		
再次運輸冰箱時考慮的事項	6	7 問題解決建議	12
操作冰箱前	6		
電氣連接.....	6		
處置包裝.....	6		
處置舊冰箱	6		
放置和安裝	6		
更換內部的燈泡.....	6		
反轉冰箱門	7		

1 您的冰箱



- | | |
|------------------|-------------|
| 1) 控制台 | 8) 可調校冰箱門層架 |
| 2) 內部的燈 | 9) 蛋格 |
| 3) 可移動擱架 | 10) 瓶架 |
| 4) 解凍水收集通道 - 排水管 | 11) 冷凍室風扇 |
| 5) 果蔬蓋 | 12) 冷藏室 |
| 6) 新鮮蔬菜保存盒 | 13) 冷凍室 |
| 7) 車廂冷凍食品保存 | |

i 本手冊中的圖片僅為示意性質，可能與您的產品不完全相符。如果主體零件沒有包含在您購買的產品當中，表明其適用於其它型號。

2 重要安全警告

請遵循下列資訊。否則，可能導致受傷或重大損壞。且所有的保修和可靠性承諾將失效。

指定使用

本產品擬用於

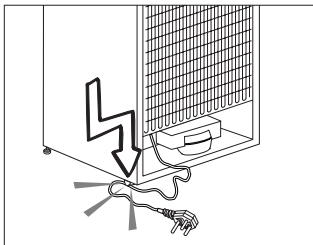
- 室內和封閉的區域，例如，家庭環境；
- 在封閉的工作環境，例如，店鋪和辦公室；
- 在封閉的膳宿設施內，例如，農場，賓館和膳宿公寓。
- 本產品不得在戶外使用。

一般安全性

- 您想要處置/廢棄本產品時，我們建議您諮詢授權服務機構，以便瞭解必要的資訊和授權機構。
- 對於與冰箱有關的所有問題和疑問，請諮詢授權服務機構。在沒有通知授權服務機構前，請勿自行處置或者讓他人處置冰箱。
- 請勿立即食用從冷凍室中取出的食物如冰淇淋和冰塊。（這可能導致您的口腔凍傷。）
- 對於配備冷凍室的產品：請勿將瓶裝和罐裝液體飲料放在冷凍室內。否則，其可能爆裂。
- 請勿用手接觸冷凍食物；其可能粘到您的手上。
- 清潔或除霜前，請拔下冰箱插頭。
- 切勿在冰箱清潔和除霜過程中使用蒸汽和氯化清潔材料。此類情況下，蒸汽可能與電氣零件接觸，導致短路或觸電。
- 請勿使用冰箱上的零件，例如，將冰箱門作為支撐或梯子。
- 請勿使用冰箱內的電氣裝置。
- 請勿使用鑽孔或切割工具損壞零件，製冷劑在這裡迴圈。在蒸發器的氣體通道、管道擴充件或者表面塗層被刺穿後，製冷劑可能流出，導致皮膚受到刺激和眼睛受傷。

- 請勿使用任何材料，覆蓋或堵塞冰箱的通風孔。
- 電氣設施必須由經授權的人員維修。未經授權的人員實施的維修會給用戶帶來危險。
- 如果發生任何故障，或者在實施維護或維修作業的過程中，應當通過關閉相關保險絲或者拔下插頭，斷開冰箱的電源。
- 拔下插頭時，請勿拉拔電纜。
- 放置飲料時，注意蓋牢瓶蓋，且垂直放置。
- 切勿在冰箱內存放含有易燃和易爆物質的噴霧罐。
- 請勿使用機械裝置或者其它手段，加速除霜過程，除非製造商建議這樣做。
- 本裝置並非設計供體力、感知力或腦力下降或經驗和知識缺乏的人士（包括孩子）使用，除非有負責他們安全的人員給出有關裝置之使用的監督或指導。
- 請勿操作受損的冰箱。如果有任何問題，請諮詢維修代理。
- 只有您家中的接地系統符合標準時，才能擔保冰箱的電氣安全。
- 本產品淋雨、落雪、受到陽光照射和風吹在電氣安全方面是危險的。
- 在電源線損壞時，請致電授權服務中心，以免發生任何危險。
- 安裝過程中，切勿將冰箱的插頭插入壁式插座。否則，可能出現嚴重的人身傷亡。
- 冰箱僅用於存放食物。不得用於任何其它目的。
- 本產品的技術標籤位於冰箱內左壁。
- 請勿將冰箱連接至節能系統，否則，可能導致冰箱受損。
- 如果冰箱配備有藍色燈，請勿通過光學裝置查看藍光。
- 對於手動控制的冰箱，在發生電力故障後，請至少等待 5 分鐘，才可以重新啟動冰箱。
- 如果轉讓本產品，應當連同本操作手冊一同移交給新用戶。

- 搬運輸冰箱時，避免導致電源線損壞。彎曲電纜可能導致起火。切勿在電源線上放置重物。為本產品插入插頭時，請勿用潮濕的手接觸插頭。



- 如果壁式插座鬆脫，請勿連接冰箱插頭。
- 出於安全的原因，請勿將水直接噴到本產品內部或外部的零件上。
- 請勿在冰箱附近噴灑含有易燃氣體的物質，例如，丙烷氣，以免發生起火或爆炸之危險。
- 切勿將充滿水的容器放在冰箱頂部，否則，可能導致觸電或起火。
- 冰箱不可裝入過多的食物。如果過度裝滿，在您打開冰箱門時，食物可能掉落，導致您受傷和冰箱受損。請勿在冰箱頂部放置物體，在打開或關閉冰箱門時，其容易掉落下來。
- 請勿在冰箱內存放要求精確溫度的物品（疫苗、對溫度敏感的藥品，科學材料等）。
- 如果長時間不使用冰箱，應當拔下插頭。電源線可能存在的問題會導致起火。
- 應定期清潔插頭尖；否則，可能導致起火。
- 應定期使用乾抹布清潔插頭尖；否則，可能導致起火。
- 如果可調支腿沒有適當固定在地面上，冰箱可能移動。在地面上適當固定可調支腿可以防止冰箱移動。
- 移動冰箱時，請勿在門把手上用力。否則，其可能折斷。
- 必須將該產品與其它冰箱或製冷器並排放置時，這些裝置之間的距離至少應為 8 cm。否則，相鄰的側壁可能會出現冷凝水。

對於配備飲水機的產品：

- 水源的壓力應至少為 1pa。水源的壓力最高為 8 pa。
- 只能使用飲用水。

兒童安全

- 如果門上有鎖，鑰匙應置於兒童不可及之處。
- 必須看管兒童，以免其擺弄本產品。

如果本產品的製冷系統含有 R600a：此氣體易燃。因此，在使用和運輸過程中，注意不要損壞製冷系統和管道。如果發生損壞，本產品應遠離可能導致著火的潛在火源，並給其所在的房間通風。

如果本產品的製冷系統含有 R134a，可以忽略該警告。本產品中使用的氣體類型在位於冰箱內部左壁上的銘牌上注明。廢棄該產品時，請勿將其投入火中。

節能措施

- 請勿長時間敞開冰箱門。
- 請勿在冰箱內放置灼熱的食物或飲料。
- 冰箱不可超載，以致妨礙內部的空氣流通。
- 請勿在受到陽光直射或者靠近發熱裝置（例如，烤箱、洗碗機或暖氣）的位置安裝冰箱。
- 注意在封閉的容器內保存食品。
- 對於配備冷凍室的產品；在拆下冷凍室的層架或抽屜後，可以在冰箱的冷凍室放置最大數量的食物。聲明的冰箱能耗值是在拆卸了冷凍室層架或抽屜，並在放入最大數量的食物後確定的。根據要冷凍的食物形狀和大小使用層架或抽屜是安全的。
- 在冷藏室為冷凍的食物解凍具有節能的結果，並可以有效保持食品品質。

3 安裝

△ 請注意，如果沒有遵循本手冊中的資訊，製造商對於發生的損害不承擔任何責任。

再次運輸冰箱時要注意的事項

1. 在任何運輸前，冰箱必須清空和保持清潔。
2. 重新包裝前，冰箱內的層架、配件、蔬果盒等必須用膠帶牢固固定，防止搖晃。
3. 包裝必須使用厚膠帶和粗大的繩子紮緊，並遵循包裝上印刷的運輸規則。
4. 請緊記....

每種回收材料對於大自然和我們國家的資源而言都是不可缺少的。

如果您希望對回收包裝材料有所作為，可以從環境機構或者當地相關部門獲取詳細資訊。

操作冰箱前

開始使用冰箱前，檢查下列內容：

1. 冰箱內部是否乾燥，和空氣能否在冰箱後面自由流通？
2. 按照“維護和清潔”章節中的建議，清潔冰箱內部。
3. 將冰箱插頭插入壁式插座。冷藏室門打開時，內部相關的燈會亮起。
4. 在壓縮機啟動時，您將聽到一個聲音。即使壓縮機沒有運轉，製冷系統中密封的液體和氣體也可能產生雜音，這是正常的。
5. 可能感覺到冰箱的前方溫度升高。這是正常的。這些區域設計保持溫暖，以免發生冷凝。

電器連接

將本品連接至由適當容量之保險絲保護的接地插座。

重要資訊：

- 連接必須符合國家規定。
- 安裝後，電源線插頭必須觸手可及。
- 指定的電壓必須等於電源電壓。
- 連接時，請勿使用擴充電纜和多路插頭。

△ 受損的電源線必須由具備資格的電工更換。

△ 本品在維修妥當前，切勿操作！有觸電的危險！

處置包裝

包裝材料可能給兒童帶來危險。將包裝材料置於兒童不可及之處，或者根據垃圾說明進行分類和處置。請勿隨日常生活垃圾一起處置。

冰箱的包裝使用可回收材料製成。

處置舊冰箱

處置舊冰箱時，請不要給環境帶來任何危害。

- 有關冰箱的處置，您可以諮詢授權經銷商或者市政部門的垃圾收集中心。

處置冰箱前，請切斷電源插頭，而且，如果門上有鎖的話，請務必使之不可用，以免兒童有任何危險。

放置和安裝

△ 如果安裝冰箱之房間的房門不夠寬，以致冰箱無法通過，可以致電授權服務機構，請他們拆下冰箱門，並側著穿過房門。

1. 將冰箱安裝在方便使用的位置。
2. 冰箱應遠離熱源和潮濕的場所並避免受到陽光直射。
3. 冰箱周圍必須有適當的通風，以便獲得高效的運作。如果冰箱放置在牆壁內的凹口，距離天花板和牆壁必須至少 5 cm。如果地板上覆蓋有地毯，本產品必須從地面升高 2.5 cm。
4. 將冰箱放置在平坦的地板表面，防止晃動。
5. 勿將冰箱放在環境溫度低於 16°C 的位置。

更換內部的燈泡

如果要更換冰箱中用於照明的燈泡/LED，請撥打授客戶服務熱線。

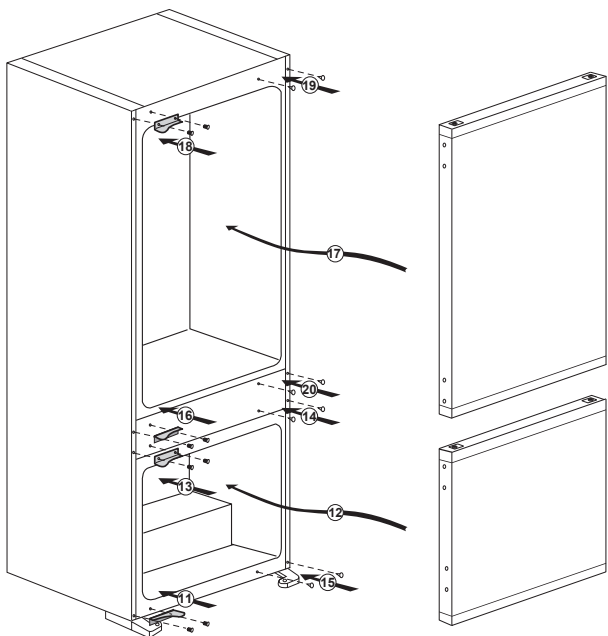
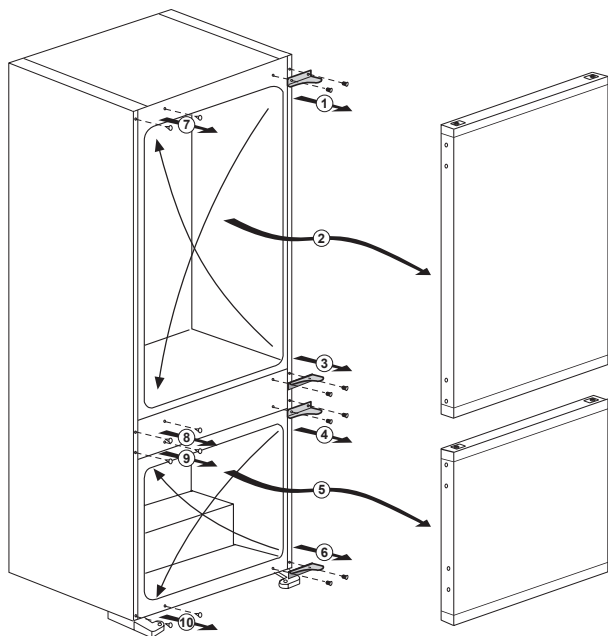
本產品使用的燈泡不適用於家庭房間照明。

本產品使用此燈泡是為了協助用戶安全舒適將食物放置於冰箱/冰櫃中。

本產品中使用的燈泡能抵抗極端的物理環境，如低於 -20°C 的溫度。

反轉冰箱門

按數位順序繼續。



4 準備

- 冰箱的安裝位置距離熱源（例如，爐圈、烤箱、中央加熱器和爐灶）至少 30 cm，距離電烤箱至少 5 cm，且不得受到陽光直射。

- 安裝冰箱的房間溫度至少為 16°C。考慮到冰箱的效率，不建議在比這涼爽的條件下操作冰箱。

- 請務必徹底清潔冰箱的內部。

- 如果並排安裝兩台冰箱，必須至少間隔 2 cm。

- 初次操作冰箱時，在最初的六個小時內，請遵循下列說明。

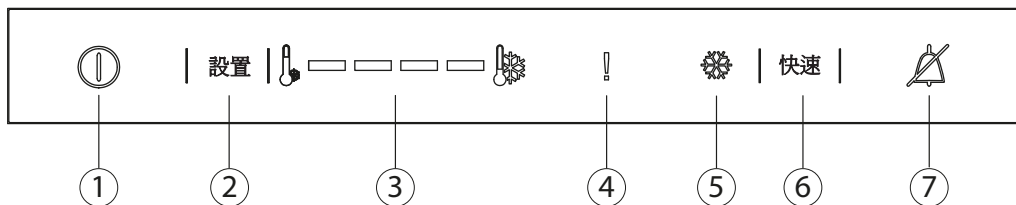
- 不應經常打開冰箱門。
- 必須在裡面沒有任何食物時空置操作。

- 請勿拔下冰箱的插頭。如果發生的電力故障不在您控制範圍內，請參見“問題解決建議”章節中的警告。

- 應當妥善保管原始包裝和泡沫材料，以備日後運輸或移動。

5 使用冰箱

控制台



1-“開/關”功能

按下“開/關”按3 秒鐘，關閉或開啟冰箱。

2-“冷藏室設置”功能

使用該功能，可以設置冷藏室溫度。按下此按鈕，將冷凍室的溫度分別設置為 - (最高溫度)、--、---、----、-----、(最低溫度)。

3-“冷藏室

溫度設置指示燈

顯示冷藏室的溫度設置。設置為 - (最高溫度)、--、---、----、-----、(最低溫度)。

4-“高溫錯誤 / 警告指示燈

在高溫故障和錯誤警告期間，該指示燈亮起。

5-“快速冷藏”指示燈

快速冷藏功能啟動時，此指示燈亮起。

6-“快速冷藏功能

在您按下“快速冷藏”按鈕時，冷藏室的溫度比調整的數值要冷。

該功能可以用於放置在冷藏室中的食物，並根據需要快速製冷。

如果您想要冷卻大量新鮮食物，建議將食物放入冷藏室前，啟動該功能。

在快速冷藏功能啟用時，“快速冷藏”指示燈將保持亮起。若要取消該功能，可再次按下“快速冷藏”按鈕。“快速冷藏”指示燈將熄滅，並恢復正常設置。如果您沒有取消，“快速冷藏”功能將在 8 小時之後或者在冷藏室達到要求的溫度後自行取消。斷電後，在電源恢復時，該功能不會重新啟動。

7-“關閉警報

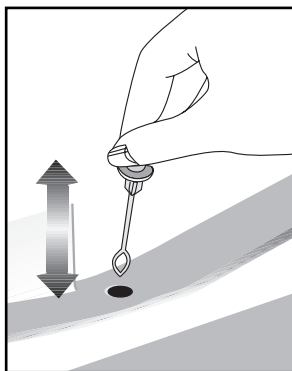
冰箱門打開超過 2 分鐘或感測器發生故障時，將發出聲音警報。可以按下“報警器關閉”按鈕，關閉警報。在電源故障前，感測器故障報警器不會發出聲音。如果您關閉冰箱門，而後再次打開，2分鐘後，將再次發出“冰箱門打開”警報。

除霜

A) 冷藏室

冷藏室執行全自動除霜。冰箱製冷時，冷藏室內部的後壁可能出現水滴和最大 7-8 mm 的霜花。這是製冷系統導致的，屬正常現象。由於後壁配備有全自動除霜系統，所以，在特定的時間距隔，將執行全自動除霜，消除結霜現象。使用者不需要刮擦霜花或者去除水滴。

除霜產生的水流過集水槽，通過排水管流進蒸發器，並在這裡自行蒸發。定期檢查排水管是否堵塞，並在必要時，用小棒通過孔疏通之。



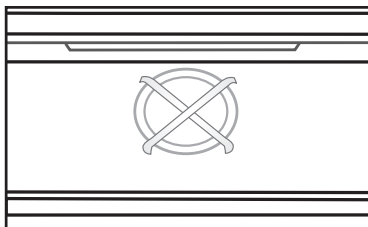
B) 冷凍室

冷凍室自動除霜。警告！

冷凍室內的風扇使冷空氣流動。不要通過防護罩插入任何物體。不要讓小孩把玩冷凍扇。不得儲存含有易燃推進劑氣體的產品（如分配器，噴霧罐等）或易爆物質。

不要用任何可能阻礙空氣流動的保護材料覆蓋層架。

不允許兒童把玩或篡改控制。不要阻塞冷藏櫃風扇防護罩，以確保您從設備獲得最佳性能。



6 維護和清潔

- ⚠ 清潔時，切勿使用汽油、苯或類似物質。
- ⚠ 我們建議您在清潔前，拔下本裝置的插頭。
- ⚠ 清潔時，切勿使用任何鋒利的研磨器具，肥皂、家用清潔劑、洗滌劑和蠟光劑。
- ℹ 使用溫水清潔冰箱的外殼，並擦乾。
- ℹ 在一品脫水中放入一茶匙小蘇打，使用這一溶液清洗抹布，用乾的抹布清潔冰箱內部，並擦乾。
- ⚠ 確保沒有水進入燈罩和其它電氣零件。
- ⚠ 如果長時間不使用冰箱，拔下電源線，取出所有食物，清潔之，並使冰箱門微開。
- ℹ 定期檢查門密封情況，確保其清潔，和沒有食品顆粒。
- ⚠ 若要拆卸門架，取出所有物件即可。

- ⚠ 清潔本產品的外表面和鍍鉻零件時，切勿使用含有氯的清潔劑或水。氯會導致金屬表面受到腐蝕。

保護塑料表面

- ℹ 請勿將非密封容器中盛放的液體油或者用油烹飪的食物放入冰箱，這類食物可能損壞冰箱的塑膠表面。如果食用油噴濺或者塗抹在塑膠表面上，立即用溫水，清潔和洗滌表面的相關部分。

7 問題解決建議

致電客戶服務機構前，請審核該清單。其可以節省您的時間和金錢。該清單包含經常出現的、並非工藝和材料使用缺陷導致之投訴。這裡描述的某些特點可能不會在您的產品中出現。

冰箱不運作。

- 冰箱插頭是否適當插入？在壁式插座插入插頭。
- 冰箱連接的插座之保險絲或者主保險絲是否熔斷？檢查保險絲。

冷藏室的側壁出現冷凝水（多功能區、製冷控制和變溫區）。

- 環境條件很冷。經常打開和關閉冰箱門。環境條件高度潮濕。在敞開的容器中存放含有液體的食物。冰箱門未關好。將自動調溫器切換為更冷的程度。
- 減少冰箱門打開的時間，或者減少使用頻率。
- 使用合適的材料，覆蓋保存在開口容器中的食物。
- 使用乾抹布擦拭冷凝水，請檢查冷凝水是否再次出現。

壓縮機不運作。

- 在突然斷電或者拔下和插入接頭時，由於冰箱製冷系統中的冷媒壓力尚未平衡，所以，壓縮機的保護熱風將會吹出。冰箱大約在 6 分鐘後開始運行。在該時間結束後，如果冰箱仍未啟動，請致電客戶服務機構。
- 冰箱處於除霜週期。對於全自動除霜冰箱而言，這是正常的。定期執行除霜週期。
- 冰箱插頭沒有插入插座。確保插頭適當插入插座。
- 是否正確調整了溫度？
- 可能發生了斷電。

冰箱經常運行或者運行較長時間。

- 您的冰箱可能比之前的冰箱寬。這是很正常的。較大的冰箱需要工作較長的時間。
- 環境溫度可能很高。這是很正常的。
- 冰箱插頭可能插入不久，或者新近裝入了食物。冰箱完全製冷可能需要多花費數小時時間。
- 最近可能在冰箱中放入了大量灼熱食物。灼熱的食物導致冰箱運行較長時間，直至達到安全的儲存溫度。
- 冰箱門可能經常打開，或者長時間未關好。進入冰箱的熱空氣導致冰箱運行較長時間。減少打開冰箱門的次數。
- 冷凍室或者冷藏室的門可能沒有關好。檢查門是否牢牢關閉。
- 冰箱調整為很低的溫度。調高冰箱的溫度，並等待直至達到這一溫度。
- 冷藏室或冷凍室的門密封可能髒污、磨損，斷裂或者沒有適當固定好。清潔或更換密封。損壞/斷裂的密封導致冰箱運行較長的時間，才能保持當前的溫度。

冷凍室溫度很低，而冷藏室溫度足夠。
• 冷凍室調整為很低的溫度。調高冷凍室的溫度，並檢查。
冷藏室溫度很低，而冷凍室溫度足夠。
• 冷藏室可能被調整為很低的溫度。調高冷藏室的溫度，並檢查。
在冷藏室保存的食物結冰。
• 冷藏室可能被調整為很低的溫度。調高冷藏室的溫度，並檢查。
冷藏室或者冷凍室的溫度很高。
• 冷藏室可能被調整為很高的溫度。冷藏室調整對冷凍室的溫度有影響。變更冷藏室或冷凍室的溫度，直至冷藏室或冷凍室的溫度達到充分的水準。
• 冰箱門可能經常打開，或者長時間未關好；請減少打開冰箱門的次數。
• 冰箱門未關好；完全關閉冰箱門。
• 最近可能在冰箱中放入了大量灼熱食物。等待直至冷藏室或冷凍室達到必要的溫度。
• 冰箱可能插入插頭不久。冰箱完全冷卻需要些時間。
冰箱工作時，雜音增加。
• 冰箱的操作性能會因應環境溫度的變化而有所不同。這是正常的，並非故障。
振動或雜音。
• 地面不平坦或者不牢固。冰箱在緩慢移動時，會搖晃。確保地面足夠堅固，能夠承載冰箱。
• 雜音可能是由於放在冰箱上的物品導致的。應當取下冰箱頂部的物品。
冰箱發出類似液體噴濺或者噴射的噪音。
• 根據冰箱的操作原理，發生了液體和氣體流動。這是正常的，並非故障。
有類似風吹的雜音。
• 為了使冰箱冷卻，使用了風扇。這是正常的，並非故障。
冰箱內壁出現冷凝水。
• 炎熱和潮濕的天氣增加了結冰和冷凝情況。這是正常的，並非故障。
• 門可能未關好；確保完全關閉冰箱門。
• 冰箱門可能經常打開，或者長時間未關好；請減少打開冰箱門的次數。
• 冰箱外面或者冰箱門之間有濕氣。
• 空氣可能過於潮濕；在潮濕的天氣裡，這是完全正常的。在濕度下降時，冷凝水會消失。
冰箱內出現異味。
• 必須清潔冰箱內部。用海綿蘸取溫水或者蘇打水，清潔冰箱內部。
• 某些容器或者包裝材料可能導致出現異味。使用不同的容器或者不同品牌的包裝材料。
冰箱門未關。
• 食品包裝可能妨礙關閉冰箱門。更換妨礙關閉冰箱門的包裝。
• 冰箱沒有在地面上完全直立，在略微移動時會搖動。調整升降螺絲。
• 地面不水準或者不夠牢固。確保地面水平，並能夠承載冰箱。
果蔬盒卡住。
• 食物可能接觸到了抽屜頂板。重新擺放抽屜中的食物。

请首先阅读本手册！

亲爱的顾客，

我们的产品使用先进设备生产，并通过严格的质量控制步骤检测，希望为您提供高效的服务。

因此，建议您在**使用本产品前仔细阅读本手册**，并妥善保管，以备日后参考。

本手册

- 帮助您快速、安全地使用本装置。
 - 安装和操作本产品前，阅读本手册。
 - 遵循说明，尤其是安全方面。
 - 将手册置于触手可及之处，以便随时参考。
 - 此外，也请阅读本产品附带的其它文件。
- 请注意，本手册可能也适用于其它型号。

符号及其说明

本手册包含下列符号：

- ① 重要信息或者有用的使用提示。
- △ 防止生命和财产危险的警告。
- ⚡ 电压警告。

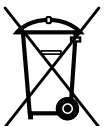


警示！

您的冰箱的制冷系统含有天然的无 物质 R600a，绝热材料中含有环戊烷，这些物质如果暴露在火中有爆炸的危险。

- 警告- 在冰箱周围，保持通风畅通。
- 警告- 除了制造商建议的方法外，不要使用机械的或其他的方法加速除霜的过程。
- 警告- 不要损坏冰箱的制冷管路。
- 警告- 不要在冰箱的间室内使用电器，除非这是制造商推荐的类型。

可回收



本产品具有报废电子电气设备指令（WEEE）的分拣标志。

这意味着本产品必须根据欧洲指令 2002/96/EC 进行回收或拆除，以使其环境影响降至最低。

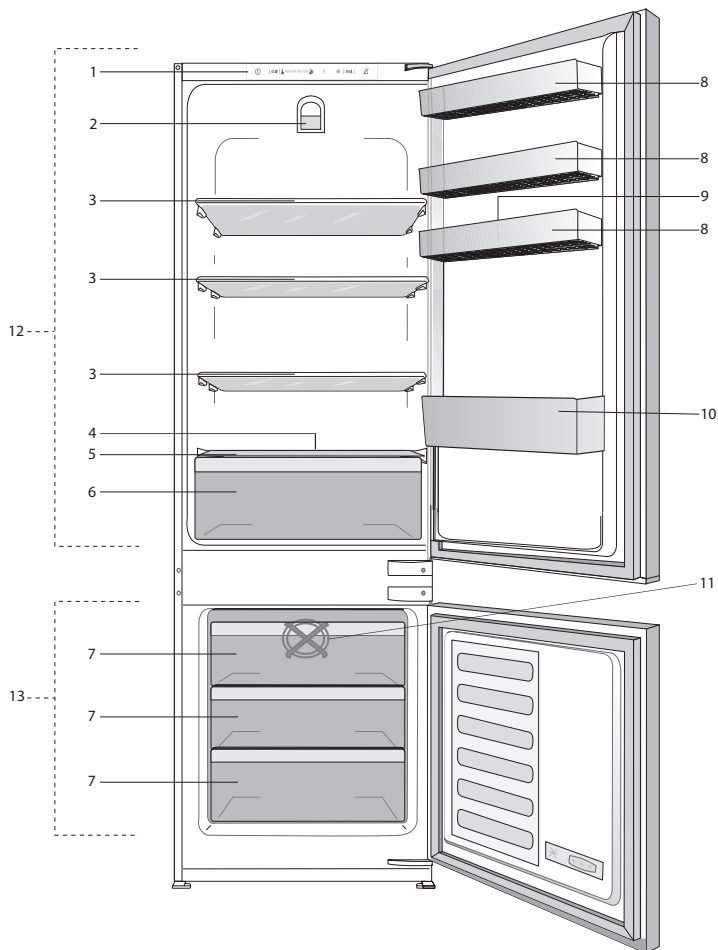
欲了解更多详情，请联系当地或区域相关机构。

未列入分拣过程的电子产品可能会对环境和健康造成危害，因为电子产品含有有害物质。

目录

1 您的冰箱	3	4 准备	8
2 重要安全警告	4	5 使用冰箱	9
指定使用.....	4	控制面板.....	9
一般安全性.....	4	除霜.....	10
对于配备饮水机的产品:.....	5		
儿童安全.....	5		
HCA 警告.....	5	6 维护和清洁	11
节能措施.....	5	保护塑料表面.....	11
3 安装	6		
再次运输冰箱时考虑的事项.....	6	7 问题解决建议	12
操作冰箱前.....	6		
电气连接.....	6		
处置包装.....	6		
处置旧冰箱.....	6		
放置和安装.....	6		
更换内部的灯泡.....	6		
反转冰箱门.....	7		

1 您的冰箱



- | | |
|------------------|------------|
| 1) 控制面板 | 8) 可调冰箱门搁架 |
| 2) 内部的灯 | 9) 蛋托 |
| 3) 可移动搁架 | 10) 瓶架 |
| 4) 解冻水收集通道 - 排水管 | 11) 冰箱风扇 |
| 5) 果蔬盖 | 12) 冷藏室 |
| 6) 新鲜蔬菜保存盒 | 13) 冷冻室 |
| 7) 车厢冷冻食品保存 | |

i 本手册中的图片仅为示意性质，可能与您的产品不完全相符。如果主体零件没有包含在您购买的产品当中，表明其适用于其它型号。

2 重要安全警告

请遵循下列信息。否则，可能导致受伤或重大损坏。且所有的保修和可靠性承诺将失效。

指定使用

本产品拟用于

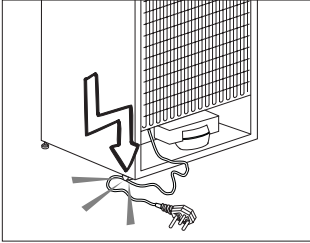
- 室内和封闭的区域，例如，家庭环境；
- 在封闭的工作环境，例如，店铺和办公室；
- 在封闭的膳宿设施内，例如，农场，宾馆和膳宿公寓。
- 本产品不得在户外使用。

一般安全性

- 您想要处置/废弃本产品时，我们建议您咨询授权服务机构，以便了解必要的信息和授权机构。
- 对于与冰箱有关的所有问题和疑问，请咨询授权服务机构。在没有通知授权服务机构前，请勿自行干预或者让他人干预冰箱。
- 请勿立即食用从冷冻室中取出的锥形冰淇淋和方块冰。（这可能导致您的口腔冻伤。）
- 对于配备冷冻室的产品：请勿将瓶装和灌装液体饮料放在冷冻室内。否则，其可能爆裂。
- 请勿用手接触冷冻食物；其可能粘到您的手上。
- 清洁或除霜前，请拔下冰箱插头。
- 切勿在冰箱清洁和除霜过程中使用蒸汽和气化清洁材料。此类情况下，蒸汽可能与电气零件接触，导致短路或触电。
- 请勿使用冰箱上的零件，例如，将冰箱门作为支撑或梯子。
- 请勿使用冰箱内的电气装置。
- 请勿使用钻孔或切割工具损坏零件，制冷剂在这里循环。在蒸发器的气体通道、管道扩充件或者表面涂层被刺穿后，制冷剂可能流出，导致皮肤受到刺激和眼睛受伤。

- 请勿使用任何材料，覆盖或堵塞冰箱的通风孔。
- 电气设施必须由经授权的人员维修。无资质人员实施的维修会给用户带来危险。
- 如果发生任何故障，或者在实施维护或维修作业的过程中，应当通过关闭相关保险丝或者拔下插头，断开冰箱的电源。
- 拔下插头时，请勿拉拔电缆。
- 放置饮料时，注意盖牢瓶盖，且垂直放置。
- 切勿在冰箱内存放含有易燃和易爆物质的喷雾罐。
- 请勿使用机械装置或者其它手段，加速除霜过程，除非制造商建议这样做。
- 本装置并非设计供体力、感知力或脑力下降或经验和知识缺乏的人士（包括孩子）使用，除非有负责他们安全的人员给出有关装置之使用的监督或指导。
- 请勿操作受损的冰箱。如果有任何问题，请咨询维修代理。
- 只有您家中的接地系统符合标准时，才能担保冰箱的电气安全。
- 本产品淋雨、落雪、受到阳光照射和风吹在电气安全方面是危险的。
- 在电源线损坏时，请致电授权服务中心，以免发生任何危险。
- 安装过程中，切勿将冰箱的插头插入壁式插座。否则，可能出现严重的人身伤亡。
- 冰箱仅用于存放食物。其不得用于任何其它目的。
- 技术规范标签位于冰箱内左壁。
- 请勿将冰箱连接至节能系统，否则，可能导致冰箱受损。
- 如果冰箱配备有蓝色灯，请勿通过光学装置查看蓝光。
- 对于手动控制的冰箱，在发生电力故障后，请至少等待5分钟，才可以重新启动冰箱。
- 如果转让本产品，应当连同该操作手册一同移交给新用户。

- 运输冰箱时，避免导致电源线损坏。弯曲电缆可能导致起火。切勿在电源线上放置重物。为本产品插入插头时，请勿用潮湿的手接触插头。



- 如果壁式插座松脱，请勿连接冰箱插头。
- 出于安全的原因，请勿将水直接喷到本产品内部或外部的零件上。
- 请勿在冰箱附近喷洒含有易燃气体的物质，例如，丙烷气，以免发生起火或爆炸之危险。
- 切勿将充满水的容器放在冰箱顶部，否则，可能导致触电或起火。
- 冰箱不可装入过多的食物。如果过度装满，在您打开冰箱门时，食物可能掉落，导致您受伤和冰箱受损。请勿在冰箱顶部放置物体，在打开或关闭冰箱门时，其容易掉落下来。
- 请勿在冰箱内存放要求精确温度的物品（疫苗、对温度敏感的药物、科学材料等）。
- 如果长时间不使用冰箱，应当拔下插头。电源线可能存在的问题会导致起火。
- 应定期清洁插头尖；否则，可能导致起火。
- 应定期使用干抹布清洁插头尖；否则，可能导致起火。
- 如果可调支腿没有适当固定在地面上，冰箱可能移动。在地面上适当固定可调支腿可以防止冰箱移动。
- 移动冰箱时，请勿在门把手上用力。否则，其可能折断。
- 必须将该产品与其它冰箱或制冷器并排放置时，这些装置之间的距离至少应为 8 cm。否则，相邻的侧壁可能会出现冷凝水。

对于配备饮水机的产品:

- 水源的压力应至少为1巴。水源的压力最高为 8 巴。
- 只能使用饮用水。

儿童安全

- 如果门上有锁，钥匙应置于儿童不可及之处。
- 必须看管儿童，以免其摆弄本产品。

HCA 警告

如果本产品的制冷系统含有 R600a:

此气体易燃。因此，在使用和运输过程中，注意不要损坏制冷系统和管道。如果发生损坏，本产品应远离可能导致着火的潜在火源，并给其所在的房间通风。

如果本产品的制冷系统含有 R134a, 可以忽略该警告。

本产品中使用的气体类型在位于冰箱内部左壁上的铭牌上注明。废弃该产品时，请勿将其投入火中。

节能措施

- 请勿长时间敞开冰箱门。
- 请勿在冰箱内放置灼热的食物或饮料。
- 冰箱不可过载，以致妨碍内部的空气循环。
- 请勿在受到阳光直射或者靠近发热装置（例如，烤箱、洗碗机或暖气）的位置安装冰箱。
- 注意在封闭的容器内保存食品。
- 对于配备冷冻室的产品；在拆下冷冻室的搁架或抽屉后，可以在冰箱的冷冻室放置最大数量的食物。声明的冰箱能耗值是在拆卸了冷冻室搁架或抽屉，并在放入最大数量的食物后确定的。根据要冷冻的食物形状和大小使用搁架或抽屉是安全的。
- 在冷藏室为冷冻的食物解冻具有节能的效果，并可以有效保持食品质量。

3 安装

⚠ 请注意，如果没有遵循本手册中的信息，制造商对于发生的损害不承担任何责任。

再次运输冰箱时考虑的事项

1. 在任何运输前，冰箱必须清空和保持清洁。
2. 重新包装前，冰箱内的搁板、附件、果蔬盒等必须用胶带牢牢固定，防止摇晃。
3. 包装必须使用厚胶带和粗大的绳子扎紧，并遵循包装上印刷的运输规则。

请牢记.....

每种回收材料对于大自然和我们国家的资源而言都是不可缺少的。

如果您希望对回收包装材料有所作为，可以从环境机构或者当地权力部门获取详细信息。

操作冰箱前

开始使用冰箱前，检查下列内容：

1. 冰箱内部是否干燥，和空气能否在冰箱后面自由流通？
2. 按照“维护和清洁”章节中的建议，清洁冰箱内部。
3. 将冰箱插头插入壁式插座。冷藏室门打开时，内部相关的灯会亮起。
4. 在压缩机启动时，您将听到一个声音。即使压缩机没有运转，制冷系统中密封的液体和气体也可能产生噪声，这是正常的。
5. 可能感觉到冰箱的前边温度升高。这是正常的。这些区域设计保持温暖，以免发生冷凝。

电气连接

将本品连接至由适当容量之保险丝保护的接地插座。

重要信息：

- 连接必须符合国家规定。
- 安装后，电源线插头必须触手可及。
- 指定的电压必须等于电源电压。
- 连接时，请勿使用扩充电缆和多路插头。

⚠ 受损的电源线必须由具备资格的电工更换。

⚠ 本品在维修妥当前，切勿操作！有触电的危险！

处置包装

包装材料可能给儿童带来危险。将包装材料置于儿童不可及之处，或者根据垃圾说明进行分类和处置。请勿随日常生活垃圾一起处置。

冰箱的包装使用可回收材料制成。

处置旧冰箱

处置旧冰箱时，请不要给环境带来任何危害。

- 有关冰箱的处置，您可以咨询授权经销商或者市政部门的垃圾收集中心。

处置冰箱前，请切断电源插头，而且，如果门上有锁的话，请务必使之不可用，以免儿童有任何危险。

放置和安装

⚠ 如果安装冰箱之房间的房门不够宽，以致冰箱无法通过，可以致电授权服务机构，请他们拆下冰箱门，并侧着穿过房门。

1. 将冰箱安装在方便使用的位置。
2. 冰箱应远离热源和潮湿的场所并避免受到阳光直射。
3. 在冰箱周围必须有适当的通风，以便获得高效的操作。如果冰箱放置在墙壁内的凹口，距离天花板和墙壁必须至少 5 cm。如果地板上覆盖有地毯，本产品必须从地面升高 2.5 cm。
4. 将冰箱放置在平坦的地板表面，防止晃动。
5. 勿将冰箱放在环境温度低于 16°C 的位置。

更换内部的灯泡

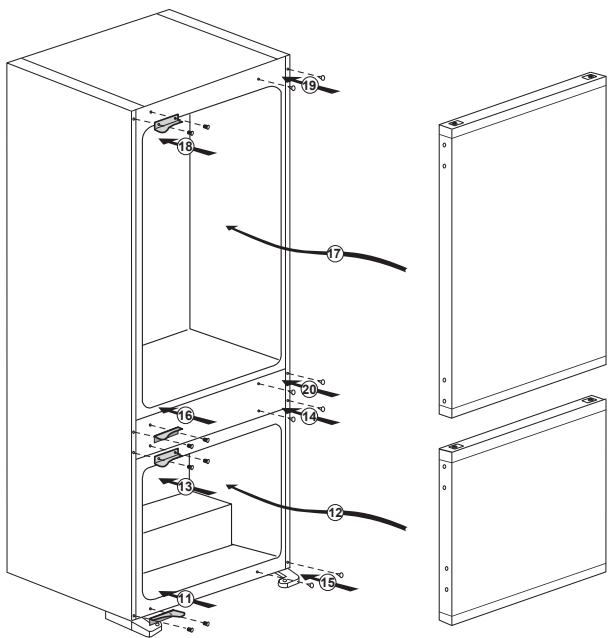
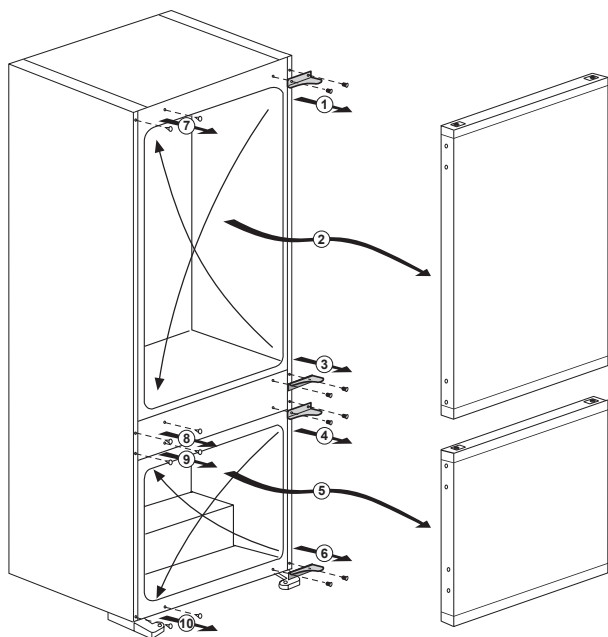
如果要更换冰箱中用于照明的灯泡/LED，请拨打授权服务热线。

本产品使用的灯泡不适用于家庭房间照明。

本产品使用此灯泡是为了协助用户安全舒适将食物放置于冰箱/冰柜中。本产品中使用的灯泡能抵抗极端的物理环境，如低于 -20°C 的温度。

反转冰箱门

按数字顺序继续。



4 准备

·冰箱的安装位置距离热源（例如，炉圈、烤箱、中央加热器和炉灶）至少 30 cm，距离电烤箱至少 5 cm，且不得受到阳光直射。

·安装冰箱的房间温度至少为 16° C。考虑到冰箱的效率，不建议在比这凉爽的条件下操作冰箱。

·请务必彻底清洁冰箱的内部。

·如果并排安装两台冰箱，必须至少间隔 2 cm。

·初次操作冰箱时，在最初的六个小时内，请遵循下列说明。

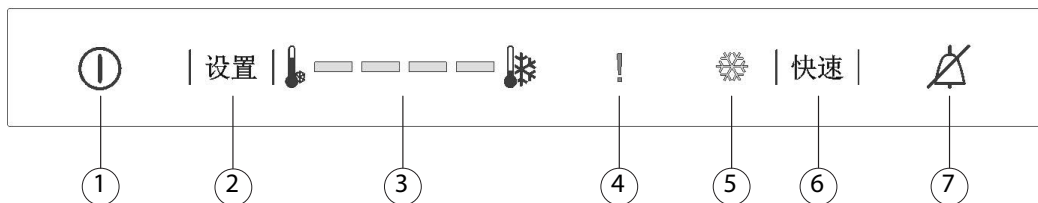
- 不应经常打开冰箱门。
- 必须在里面没有任何食物时空置操作。

- 请勿拔下冰箱的插头。如果发生的电力故障不在您控制范围内，请参见“问题解决建议”章节中的警告。

·应当妥善保管原始包装和泡沫材料，以备日后运输或移动。

5 使用冰箱

控制面板



1-“开/关”功能

按下“开/关”按钮 3 秒钟，关闭或开启冰箱。

2-“冷藏室设置”功能

使用该功能，可以设置冷藏室温度。按下此按钮，将冷冻室的温度分别设置为 -（最高温度）、--、---、----、-----（最低温度）。

3-冷藏室

温度设置指示灯

显示冷藏室的温度设置。设置为 -（最高温度）、--、---、----、-----（最低温度）。

4-高温错误 / 警告指示灯

在高温故障和错误警告期间，该指示灯亮起。

5-“快速冷藏”指示灯

快速冷藏功能活动时，此图标亮起。

6-快速冷藏功能

在您按下“快速冷藏”按钮时，冷藏室的温度比调整的数值要冷。

该功能可以用于放置在冷藏室中的食物，并根据需要快速制冷。

如果您想要冷却大量新鲜食物，建议将食物放入冷藏室前，启动该功能。在快速冷藏功能启用时，“快速冷藏”指示灯将保持亮起。若要取消该功能，可再次按下“快速冷藏”按钮。“快速冷藏”指示灯将熄灭，并恢复正常设置。

如果您没有取消，“快速冷藏”功能将在 8 小时之后或者在冷藏室达到要求的温度后自行取消。断电后，在电源恢复时，该功能不会重新调用。

7-关闭警报

冰箱门打开超过 2 分钟或传感器发生故障时，将发出声音警报。可以按下“报警器关闭”按钮，关闭警报。

在电源故障前，传感器故障报警器不会发出声音。如果您关闭冰箱门，而后再次打开，2分钟后，将再次发出“冰箱门打开”警报。

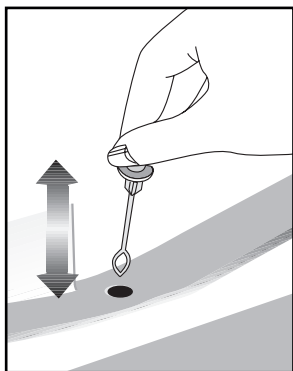
除霜

A) 冷藏室

冷藏室执行全自动除霜。冰箱制冷时，冷藏室内部的后壁可能出现水滴和最大 7-8 mm 的霜花。这是制冷系统导致的，属正常现象。由于后壁配备有全自动除霜系统，所以，在特定的间隔，将执行全自动除霜，消除结霜现象。用户不需要刮擦霜花或者去除水滴。

除霜产生的水流入集水槽，通过排水管流进蒸发器，并在这里自行挥发。

定期检查排水管是否堵塞，并在必要时，用小棒通过孔疏通之。



B) 冷冻室

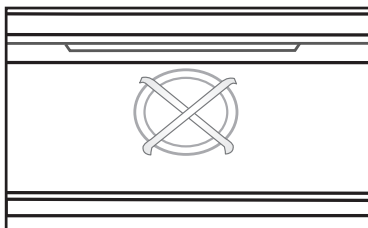
冷冻室自动除霜。

警告！

冷冻室内的风扇使冷空气循环。不要通过防护罩插入任何物体。不要让小孩玩冷冻扇。不得储存含有易燃推进剂气体的产品（如分配器，喷雾罐等）或易爆物质。

不要用任何可能阻碍空气循环的保护材料覆盖货架。

不允许儿童玩具或篡改控制。不要阻塞冷藏柜风扇防护罩，以确保您从设备获得最佳性能。



6 维护和清洁

- ⚠ 清洁时，切勿使用汽油、苯或类似物质。
- ⚠ 我们建议您在清洁前，拔下本装置的插头。
- ⚠ 清洁时，切勿使用任何锋利的研磨器具，肥皂、家用清洁剂、洗涤剂 and 蜡光剂。
- ① 使用温水清洁冰箱的外壳，并擦干。
- ① 在一品脱水中放入一茶匙小苏打，使用这一溶液清洗抹布，用绞干的抹布清洁冰箱内部，并擦干。
- ⚠ 确保没有水进入灯罩和其它电气零件。
- ⚠ 如果长时间不使用冰箱，拔下电源线，取出所有食物，清洁之，并使冰箱门微开。
- ① 定期检查门密封情况，确保其清洁，和没有食品颗粒。
- ⚠ 若要拆卸门架，取出所有内容物，然后简单地从底部向上推门架即可。

- ⚠ 清洁本产品的外表面和镀铬零件时，切勿使用含有氯的清洁剂或水。氯会导致金属表面受到腐蚀。

保护塑料表面

- ① 请勿将非密封容器中盛放的液体油或者用油烹饪的食物放入冰箱，这类食物可能损坏冰箱的塑料表面。如果食用油喷溅或者涂抹在塑料表面上，立即用温水，清洁和洗涤表面的相关部分。

7 问题解决建议

致电服务机构前，请审核该清单。其可以节约您的时间和资金。该清单包含经常出现的、并非工艺和材料使用缺陷导致之投诉。这里描述的某些特点可能不会在您的产品中出现。

冰箱不工作。
<ul style="list-style-type: none">• 冰箱插头是否适当插入？在壁式插座插入插头。• 冰箱连接的插座之保险丝或者主保险丝是否熔断？检查保险丝。
冷藏室的侧壁出现冷凝水（多功能区、制冷控制和变温区）。
<ul style="list-style-type: none">• 环境条件很冷。经常打开和关闭冰箱门。环境条件高度潮湿。在敞开的容器中存放含有液体的食物。冰箱门未关严。将自动调温器切换为更冷的程度。• 减少冰箱门打开的时间，或者减少使用频率。• 使用合适的材料，覆盖保存在开口容器中的食物。• 使用干抹布擦拭冷凝水，请检查冷凝水是否再次出现。
压缩机不工作
<ul style="list-style-type: none">• 在突然断电或者拔下和插入接头时，由于冰箱制冷系统中的冷媒压力尚未平衡，所以，压缩机的保护热将会吹出。冰箱大约在 6 分钟后开始运行。在该时间结束后，如果冰箱仍未启动，请致电服务机构。• 冰箱处于除霜循环。对于全自动除霜冰箱而言，这是正常的。定期执行除霜循环。• 冰箱插头没有插入插座。确保插头适当插入插座。• 是否正确调整了温度？• 可能发生了断电。
冰箱经常运行或者运行较长时间。
<ul style="list-style-type: none">• 您的冰箱可能比之前的冰箱宽。这是很正常的。较大的冰箱需要工作较长的时间。• 环境温度可能很高。这是很正常的。• 冰箱插头可能插入不久，或者新近装入了食物。冰箱完全制冷可能需要多花费数小时时间。• 最近可能在冰箱中放入了大量灼热食物。灼热的食物导致冰箱运行较长时间，直至达到安全的储存温度。• 冰箱门可能经常打开，或者长时间未关严。进入冰箱的热空气导致冰箱运行较长时间。减少打开冰箱门的次数。• 冷冻室或者冷藏室的门可能没有关严。检查门是否牢牢关闭。• 冰箱调整为很低的温度。调高冰箱的温度，并等待直至达到这一温度。• 冷藏室或冷冻室的门密封可能脏污、磨损，断裂或者没有适当固定好。清洁或更换密封。损坏/断裂的密封导致冰箱运行较长的时间，才能保持当前的温度。

冷冻室温度很低，而冷藏室温度足够。
<ul style="list-style-type: none"> 冷冻室调整为很低的温度。调高冷冻室的温度，并检查。
冷藏室温度很低，而冷冻室温度足够。
<ul style="list-style-type: none"> 冷藏室可能被调整为很低的温度。调高冷藏室的温度，并检查。
在冷藏室保存的食物上冻。
<ul style="list-style-type: none"> 冷藏室可能被调整为很低的温度。调高冷藏室的温度，并检查。
冷藏室或者冷冻室的温度很高。
<ul style="list-style-type: none"> 冷藏室可能被调整为很高的温度。冷藏室调整对冷冻室的温度有影响。变更冷藏室或冷冻室的温度，直至冷藏室或冷冻室的温度达到充分的水平。 冰箱门可能经常打开，或者长时间未关严；请减少打开冰箱门的次数。 冰箱门未关严；完全关闭冰箱门。 最近可能在冰箱中放入了大量灼热食物。等待直至冷藏室或冷冻室达到必要的温度。 冰箱可能插入插头不久。冰箱完全冷却需要些时间。
冰箱工作时，噪声增加。
<ul style="list-style-type: none"> 冰箱的操作性能可能会视环境温度的变化而有所不同。这是正常的，并非故障。
振动或噪声。
<ul style="list-style-type: none"> 地面不平坦或者不牢固。冰箱在缓慢移动时，会摇晃。确保地面足够坚固，能够承载冰箱，且水平。 噪声可能是由于放在冰箱上的物品导致的。应当取下冰箱顶部的物品。
冰箱发出类似液体喷溅或者喷射的噪音。
<ul style="list-style-type: none"> 根据冰箱的操作原理，发生了液体和气体流动。这是正常的，并非故障。
有类似风吹的噪声。
<ul style="list-style-type: none"> 为了使冰箱冷却，使用了风扇。这是正常的，并非故障。
冰箱内壁出现冷凝水。
<ul style="list-style-type: none"> 炎热和潮湿的天气增加了结冰和冷凝情况。这是正常的，并非故障。 门可能未关严；确保完全关闭冰箱门。 冰箱门可能经常打开，或者长时间未关严；请减少打开冰箱门的次数。
冰箱外面或者冰箱门之间有湿气。
<ul style="list-style-type: none"> 空气可能过于潮湿；在潮湿的天气里，这是完全正常的。在湿度下降时，冷凝水会消失。
冰箱内出现异味。
<ul style="list-style-type: none"> 必须清洁冰箱内部。用海绵蘸取温水或者苏打水，清洁冰箱内部。 某些容器或者包装材料可能导致出现异味。使用不同的容器或者不同品牌的包装材料。
冰箱门未关。
<ul style="list-style-type: none"> 食品包装可能妨碍关闭冰箱门。更换妨碍关闭冰箱门的包装。 冰箱没有在地面上完全直立，在略微移动时会摇动。调整升降螺丝。 地面不水平或者不够牢固。确保地面水平，并能够承载冰箱。
果蔬盒卡住
<ul style="list-style-type: none"> 食物可能接触到了抽屉顶板。重新摆放抽屉中的食物。

