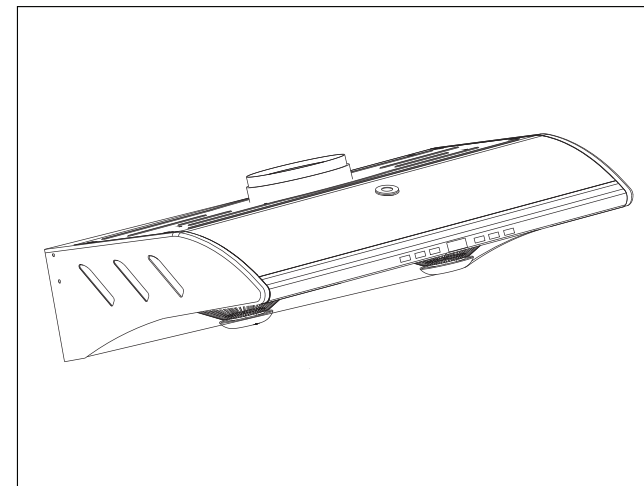


PHILCO 

 **Twistermatic**[®]
Cooker hood

Operation Manual

使用手册



PAW70TS

EN
中文

適用環境：

本產品適用於一般家居室內或類似室內環境,不適用於商業用途。

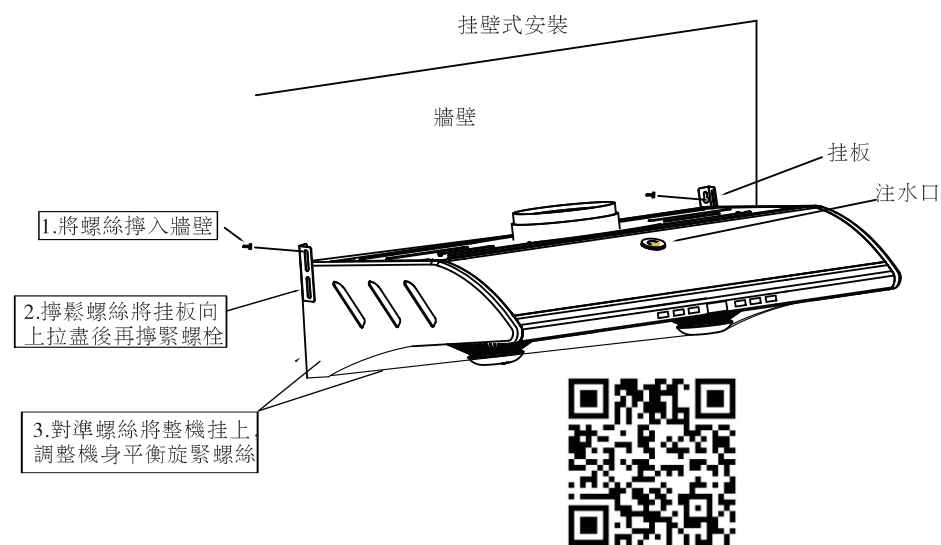
注意：

- ▲ 安裝前須詳細閱讀說明書，按照要求進行安裝，檢查確認安裝無誤後，才可接通電源，試按各按鈕操作正常後才可使用。
- 1. 抽油煙機必須要由專業人員安裝。
- 2. 當煮食使用抽油煙機時，必須有足夠的通風設備。
- 3. 禁止爐火直接烘烤抽油煙機。請先開抽油煙機再開煮食爐。
- 4. 如發現抽油機出現異常現象，必須立即關斷電源，拔出電源插頭，必須由專業人員進行檢修，恢復正常後才能繼續使用，切勿在出現異常現象後繼續通電，以確保安全。
- 5. 必須依照說明書內指示進行自動或手動清洗。切勿擅自調換任何零件，及隨便改變各零件的安裝狀態。
- 6. 如出現照明燈不亮但電機能正常轉動時，可能是照明燈損壞，應即時截斷電源 然後換上正常之照明燈,請將本機之底板卸下，把舊照明燈拆出，換上新照明燈。照明燈最大功率為40w。
- 7. 如果電源線損壞，必須由生產商，其服務代理或專業人士替換，以避免危險。
- 8. 產品如有技術上之更改，恕不另行通知。

安裝：

- ▲ 安裝時必須切斷電源，本機備有接地安全裝置。
- 1. 拆除包裝。
- 2. 擰下網杯，拆下出風口座將其安裝在吸油煙機的出風口上。
- 3. 抽油煙機最低部位與煮食爐具的適當表面距離最少為650mm，最理想距離650~800mm，安裝時必須左右平衡。
- 4. 抽油煙機應牢固地安裝牆壁上，安裝時用電鑽在適合的位置上鑽2個孔，然後將膨脹膠塞全部打入牆內，並將自攻螺絲擰入五份之四。
- 5. 將機身的掛板螺絲稍為擰鬆（不要拆出螺絲），向上拉盡掛板後再將螺絲重新收緊。

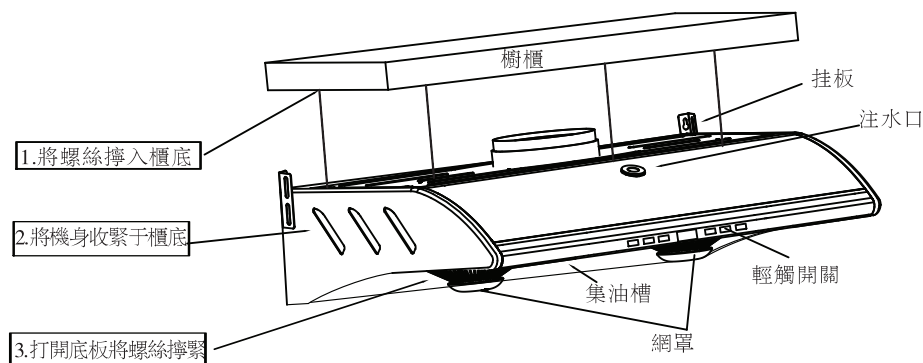
- 6. 掛板固定孔對準牆上螺絲將整機掛上，然後調整機身平衡旋緊螺絲。
- 7. 本機亦可安裝於櫥櫃底下，可用螺絲把機身收緊於櫃底，而排氣喉應穿過櫥櫃通向窗外。
- 8. 在出風口套上6”排氣喉，排氣喉排列應儘量平直，排氣喉的彎應大於90°，以保持排氣順暢。室外排氣管口應向下傾斜，以防雨水倒流而損壞抽油煙機。
- 9. 抽油煙機排出的氣體不應排到用於排出燃燒煤氣或其他燃料熱煙道中。
- 10. 使用前先校對抽油煙機銘牌的額定電壓應與使用電壓相符，選用與插頭相適配的插座，三極插座應有良好的接地。



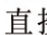
掃一掃了解安裝視頻
Please scan to watch the installation video

發明專利：HK1068164 HK1051719

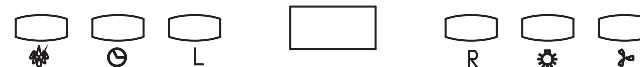
吊櫃式安裝









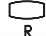




主要功能：

1. 隱藏式油槽全方位自動清洗抽油煙機：
 - a. 輕觸式電子開關全方位自動清洗功能，使用前請預先將清潔劑及水從機頂注水口處注入（水及清潔劑為20:1）；
 - b. 直接按下“”按鈕，全方位清洗一次需41秒，最後油污連同清潔劑全部流入集油槽內；
 - c. 本機配有注水水壺，清洗前請先注水壺量一半及清潔劑，每按一次清洗後，必須先清洗油槽內的污水，否則污水會溢出。
2. 四段變速，隨意選擇理想速度，配合不同煮食要求。
3. 最新“聚油”回集裝置、集油效果顯著，機身與牆壁傾斜15°，油污及清潔劑自然順暢徹底流入油槽。

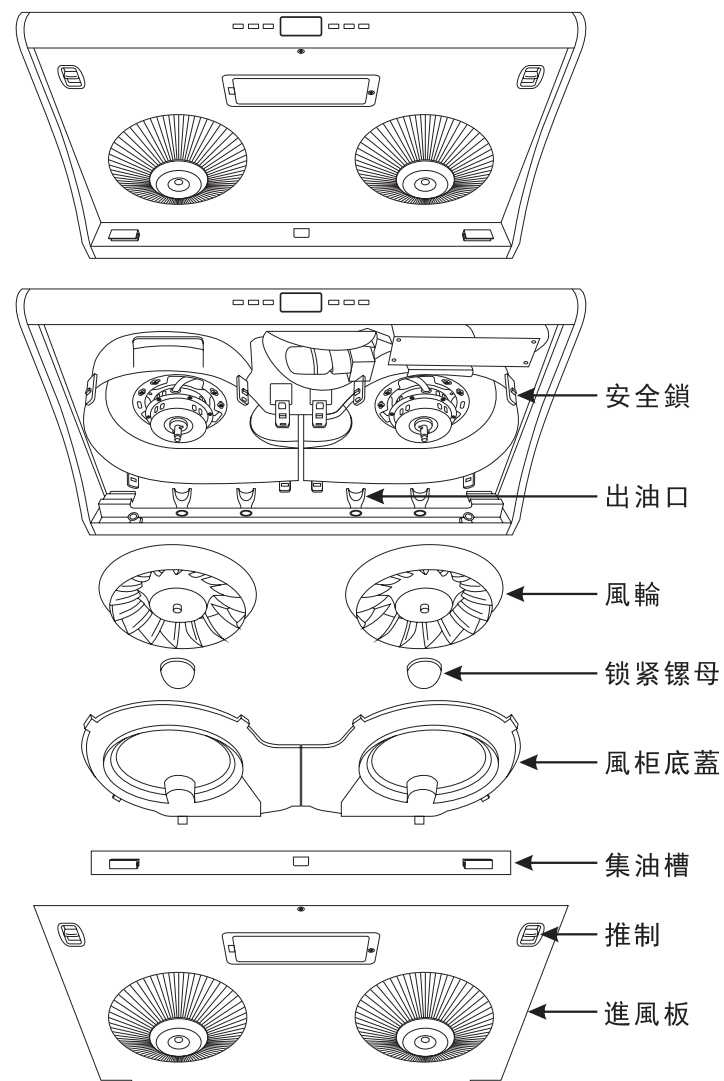
操作：



- 1、 延時鍵：按下此鍵，抽油煙機會在15分鐘之後自動停止操作。
- 2、 清洗鍵：將清潔劑及水從機頂注水口處注入機內水箱（水及清潔劑比例20：1）；不論抽油煙機是處於初始狀態，只要按鍵，抽油煙機即切換至4檔轉速操作，清洗圖示亦會在螢幕上顯示；3秒後，左右電機以1檔操作，同時啟動清洗泵進行清洗；15秒後清洗泵停止工作，左右電機切換至1檔操作；23秒後，電機停止操作，結束一次清洗過程。此時清洗圖標會於螢幕上消失。在清洗過程中，再按一次即可退出清洗程式。
- 3、 左右電機同時開關轉速鍵：按下左右電機以1檔開始工作，每按一次增加一檔轉速，按第五次停止操作。
- 4、 液晶顯示幕。
- 5、**L** 左電機開關鍵：按下左電機以1檔開始工作，每按一次增加一檔轉速，按第五次停止操作。
- 6、**R** 右電機開關鍵：按下右電機以1檔開始工作，每按一次增加一檔轉速，按第五次停止操作。
- 7、 照明鍵：按一次開燈，再按一次關燈。
8. 液晶屏顯示：煙機處於工作狀態，為黑色背景光，字體為白色，並且顯示其相應的圖示；當煙機停止所有工作6秒後，液晶顯示幕為黑屏狀態。
- 9、儲水箱只能容納半水壺，所以每兩次清洗加水一壺。同時油槽也只能容納一次清洗的廢水，每一次清洗必需清理油槽中的廢水。
- 10、當取出油槽時，要保持平衡取出，否則污水容易傾倒。

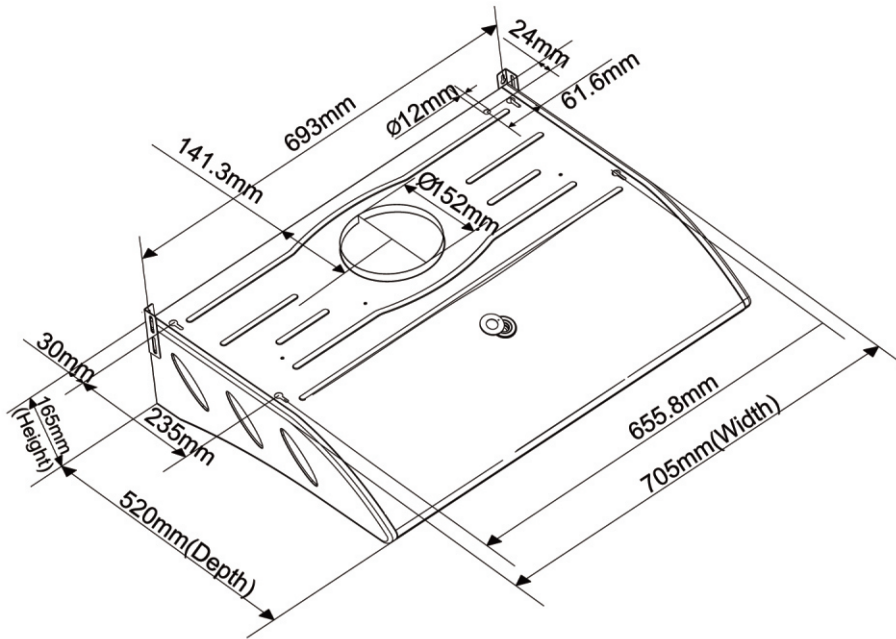
維修保養：

- ▲（手動）拆卸清洗前，須將電源線插頭從插座拔出。
- 1. 用戶應按時清除油杯積油，保持機身表面、風網及風輪的清
潔，可保持機身及機件之壽命。
- 2. 油杯和風網的清洗週期，請用戶根據使用時間決定。
- 3. 清洗機身外表時用軟布沾清洗劑抹拭後，再用乾淨軟布抹
乾。必須使用無泡抽油煙機專用清潔劑作清潔本抽油煙機
（水及清潔劑為20:1）。
- 4. 清洗時請把煮食爐具上食物及煮食用具移開。
- 5. 本機設有拆卸底板自動斷電安全裝置。
- 6. 切勿碰壓或改變風輪扇翼的角度，切忌用汽油或其他化學物
品拭擦。



1. 首先向下按住推制將進風板拆下來，然后拆下油杯(集油槽)，會看到里面的黑色風柜。
2. 把邊上的安全扣掰開，底蓋就可以取出來，然后把風輪固定螺母擰下來，風輪就可以拆下來清洗了，（同時可清理風箱油污），
3. 清洗完成后，將風輪裝上去，將螺母擰緊后裝回底蓋，一定要先將兩個直角對準，給少力就可以插入凹槽，然后雙手平放底蓋，將底蓋插入凹槽中。待底蓋完全放好，扣好周邊安裝扣，然后裝回油杯，最后裝回進風板，完成安裝。

安裝尺寸圖：



注意：

- 使用清洗功能時，注水水壺注滿一壺可清洗兩次，每按一次清洗後，必須清理油槽內的污水，提防再次清洗時污水會溢滿。
- 必須使用抽油煙機專用無泡清潔劑清洗本機（水及清潔劑比例為20:1）。
- 清洗時必須把爐灶上的食物及煮食用具移開。
- 必須由專業人員安裝。
- 拆卸任何零件清洗前必須脫離電源（本機已設有拆卸底板後自動斷電之安全裝置）。
- 請開啟抽油煙機後才開啟煮食爐。

ENVIRONMENT OF OPERATION:

This appliance is designed for home or indoor environment and not for commercial and outdoor uses.

PRECAUTION:

※ Please read this manual **CAREFULLY** before installation. During the installation, power supply must be disconnected.

1. The installation should be done by a qualified technician.
2. Air circulation inside kitchen must be maintained in good condition when range hood in use.
3. Do not put flame on the range hood. Please turn on the hood before turning on the stove.
4. Replacement of the main cord and all other parts should be done by a qualified electrician.
5. Cleaning processes should follow the instructions as stated in this manual. To avoid danger or damage, no parts should be removed or modified.
6. In the case when the light breaks, please disconnect the power supply before you replace it with a new bulb. Maximum power for the light bulb is 40W.
7. If the supply cord is damaged, it must be replaced by the manufacturer, its service agent or qualified person in order to avoid a hazard.
8. In case of changes in technical specification, there would be no prior notice.

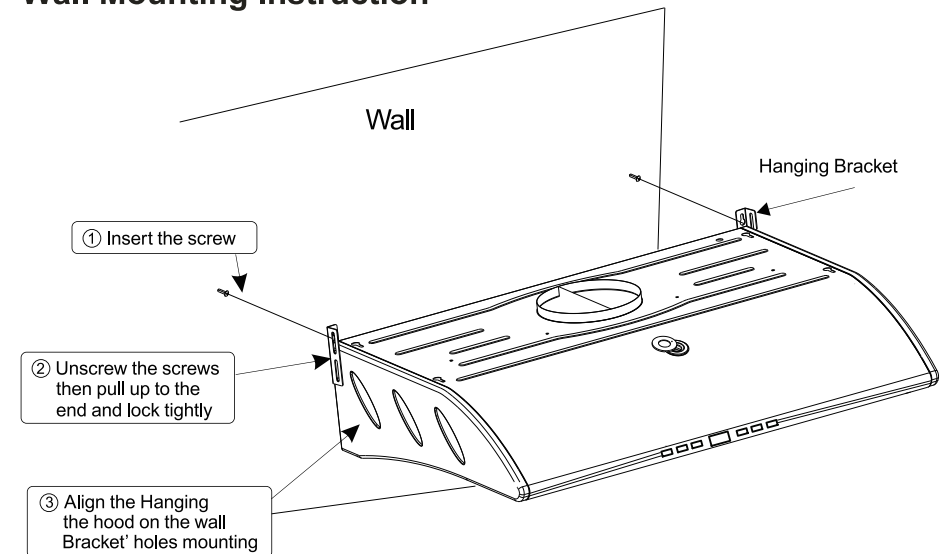
INSTALLATIONS:

※ This appliance must be earthed. Installation must be carried out only when power supply is disconnected.

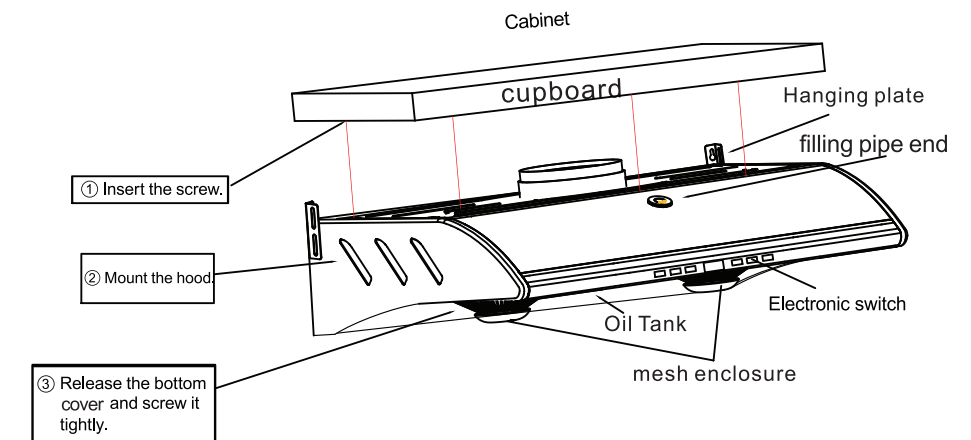
1. Unpack the carton.
2. Detach the fan grille by removing the screws, then take polyform out from inside and reinstall the grille.

3. The installation height is measured vertically from the bottom of hood to the top of stove, the minimum distance between the supporting surface for the cooking vessels on the hob and the lowest part of the range hood. When the range hood is located above a gas appliance, this distance shall be at least 650mm and the best recommended height is 650-800mm, avoid left-right or up-down inclination.
4. For Wall-Mounted Installation, drill two holes in an appropriate position on the wall and insert the attached inflation plastic bolts properly. Insert the self-tapping screw into the wall leaving with 1/5 space for hanging the hood, make sure the screw drive into the wall firmly.
5. Unfasten the screws between the hanging bracket a little bit, pull up the bracket to the top and then fasten the screws back.
6. Position the hood to the screws on the wall and balanced the inclination of the hood. Then fasten the screws tightly to mount the hood onto the wall.
7. This hood could be built-under kitchen cabinet, fasten the screws tightly on the cabinet. The exhaust duct should go through the cabinet to a window.
8. To increase the efficiency of hood, it is recommended to use 6" exhaust duct. The turns of exhaust duct should be always straight, or more than 90° to help exhaust system run smoothly. The outside end of exhaust duct must face downward to avoid rain and air backflow from outside and damage the appliance.
9. The air must not be discharged into a flue that is used for exhausting fumes from appliances burning gas or other fuels (not applicable to appliances that only discharge the air back into the room), regulations concerning the discharge of air have to be fulfilled.
10. Check the voltage on the rating table which should match the national or local code.

Wall Mounting Instruction



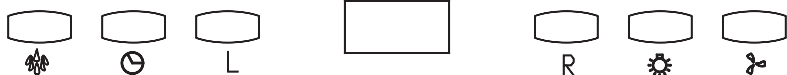
Built-under Instruction



MAIN FEATURE:

1. ELECTRONIC CONTROL AUTOMATIC CLEANING PROGRAMMER:
 - a. Carefully add water-detergent solution through the water inlet by the provided jar. (Water to detergent ratio → 20: 1)
 - b. Press for cleaning program which takes 41 seconds and stop afterwards, the oil with detergent will be removed.
 - c. The water jar can operate 2 times of cleaning, once the storage in the appliance is full, water will flow out of the excess water hole located above the oil tray, user should stop pouring.
2. Four speeds can be used to suit different cooking needs.
3. 15° curve chassis design for maximizing Suction power and effective oil discharge.

OPERATION:



1. - Prolong Time Off Button: Press the button to initiate this function, the appliance will be switched off automatically after 15 minutes.
2. - Auto Clean Button: Before using this function, please fill in the provided jar with water and detergent. Pour detergent and water from the top of the appliance through the water inlet (water to detergent ratio → 20:1). Press the button to start the auto cleaning procedures, the appliance will first operate in speed 4. A cleaning icon will be shown on the display. After 3 seconds, both motors will be operated at Speed 1 and cleaning pump will be operated; 15 seconds later, the cleaning pump will be stopped

operating while both motors changed to Speed 1; 23 seconds later, both motors will be stopped and the cleaning program is ended. The cleaning icon on the display will be disappeared. During the cleaning procedure, press the button once to exit the cleaning program.

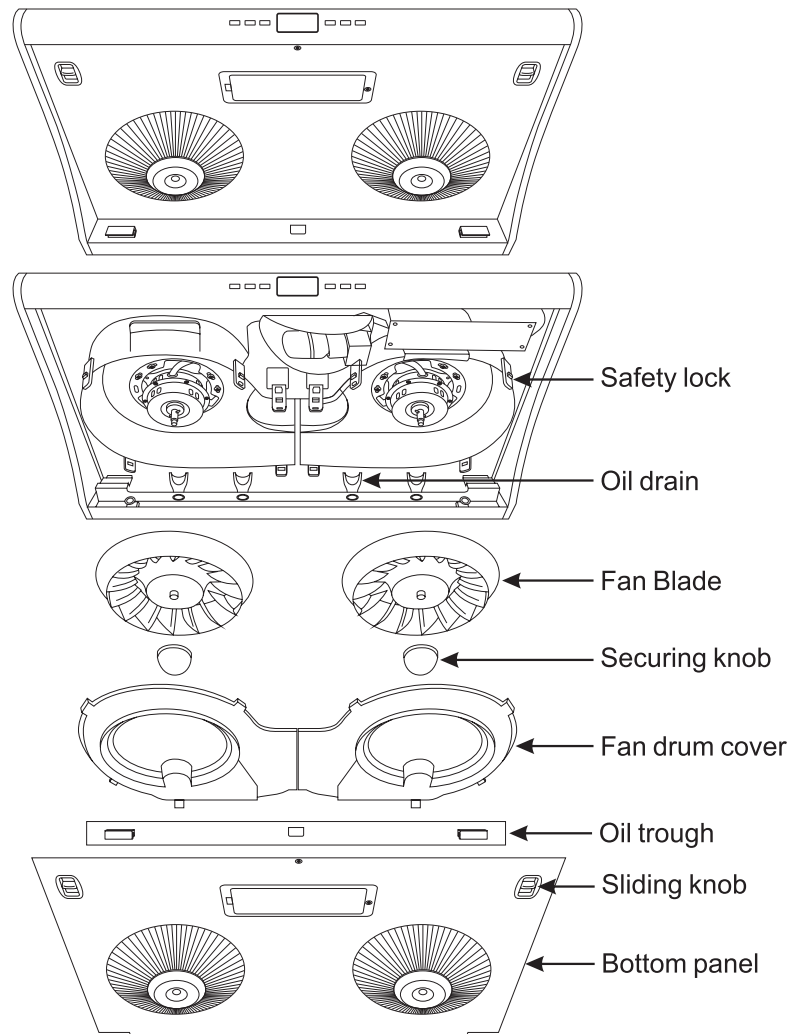
3. Motor with Low Speed Revolution: Press the button, the left and right motor will be operated at the lowest revolution in Speed 1. Press one more to add one speed. Press 5 times to stop.
4. -Display Panel: Display the status of the appliance.
5. L-Left Motor Speed Control Button: Press the button, the left motor will be operated at the lowest revolution in Speed 1. Press one more to add one speed. Press 5 times to stop.
6. R-Left Motor Speed Control Button: Press the button, the left motor will be operated at the lowest revolution in Speed 1. Press one more to add one speed. Press 5 times to stop.
7. -Light button: Press the button to switch on and off the light.
8. LCD display: White text on a black background with corresponding icon when the appliance is on. LCD indicator screen will be black when the appliance stops running after 6 seconds .
9. Every 1 operation of automatic cleaning system, the oil tank MUST BE CLEANED. Clean the oil tank and put back to the original position before the next cleaning.
10. One jug of water ("MAX" level) can be used for 2 times of cleaning. The oil cup must be emptied after each time operation, otherwise dirt water will flow out of the oil tank

MAINTENANCE AND CLEANING:

- ▲ **Caution:** Always disconnect the appliance from the power supply before cleaning.
1. Please clean the appliance regularly, do not use abrasive cleaner. Always clean the oil cups, oil tank and grilles to prevent oil spillage and prolong the life of the hood.
 2. The period of cleaning for oil tank, surface of the appliance, grilles and vanes depends on the usage of the appliance.
 3. Cleaning the body of the appliance with a damp cloth with cleaning agent, and use a clean cloth to dry. Foamless detergent specified for range hood cleaning must be used for cleaning purposes (Water to detergent ratio → 20:1).
 4. Remove all utensils and foods from the stove before cleaning the hood.
 5. This hood is equipped with an auto powercut off device when the bottom cover is removed.
 6. Never adjust the turning angle of vane or subject it on impact/collision to avoid any hazard; do not rub it with petrol or other related chemicals.

Attention:

- Before starting the cleaning program, please make sure water-detergent solution was injected into the water tank.
- Please use only foamless cooker hood cleaner for cleaning (water to detergent ratio 20:1).
- Please remove all utensils and food from stove before cleaning process starts.
- Installation must be carried out by qualified technician.
- Please disconnect power supply before dismantling for cleaning (this appliance is equipped with automatic power cut off device when the bottom cover is removed).
- Remember to turn on the cooker hood before turning on the hob to avoid overheating the hood.



1. Firstly press down sliding knob and push to remove the bottom panel, then remove the oil trough and you will see the black fan drum.
2. Pry the safety lock on the side of the drum, the bottom cover can be taken out and then the fan blade security knob can be unscrewed, the fan blade can be removed and cleaned (at the same time the fan drum can also be cleaned).
3. After cleaning, the fan blade can be installed again by tightening the knob and put back the fan drum cover. In order to install the fan drum cover properly make sure to align two right angle corners first. Then insert the groove with a small amount of force into the fan drum cover as long as the fan drum cover placing horizontally. When the fan drum cover is completely placed then buckle up the safety lock and put back the oil trough as well as the bottom panel.

注意 NOTE

請紀錄下列資料 Please record the following information:

- 型號 Model No.: _____
- 機身編號 Serial No.: _____
- 經銷商名稱 Dealer: _____
- 購買日期 Purchase date: _____

本產品在不斷改進中，如功能有所更改，恕不另行通知。如有疑問，請與維修中心聯絡，不便之處，敬請原諒。
Product functions may change due to product improvement; no prior notice will be given. If any queries, please contact our service department.

ToolBox Customer Service Centre 客戶服務中心 :

7/F, Goodwill Industrial Building, 36-44 Pak Tin Par Street, Tsuen Wan, Hong Kong

Customer Service Hotline 客戶服務熱線: (852) 8210 8210
Service E-mail 電郵地址: 8210service@gilman-group.com
Please register now at 請即上網登記: www.toolbox.hk
Website 網址: www.gilman-group.com



2/F, Shing Dao Industrial Building, 232 Aberdeen Main Road, Hong Kong
香港香港仔大道232號城都工業大廈2樓