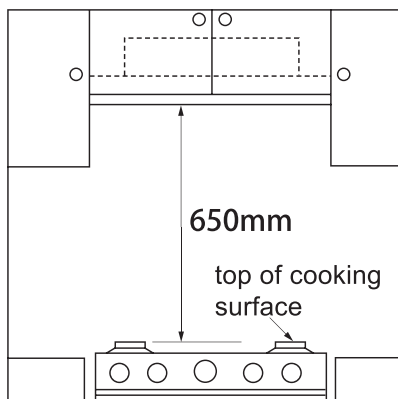
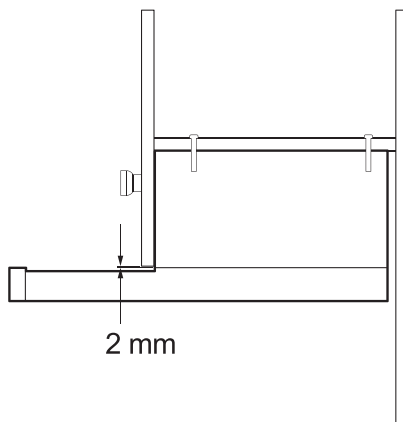


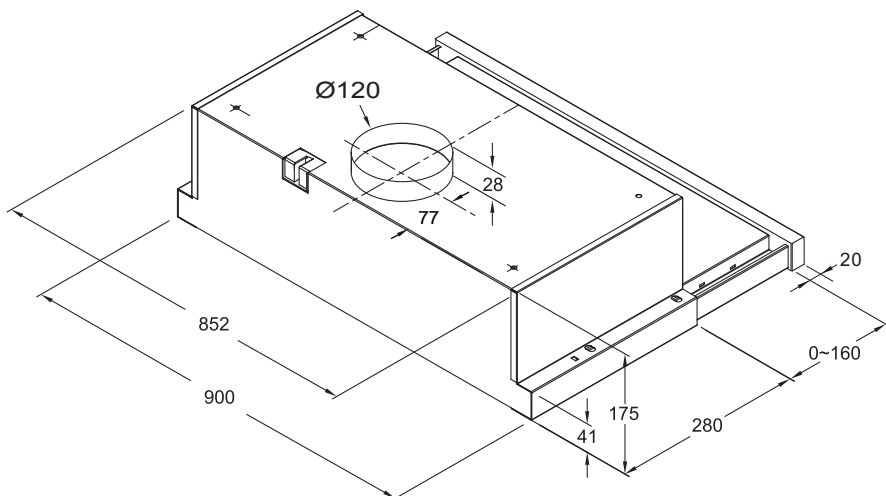
INSTALLATION



Positioning



Fixing dimensions



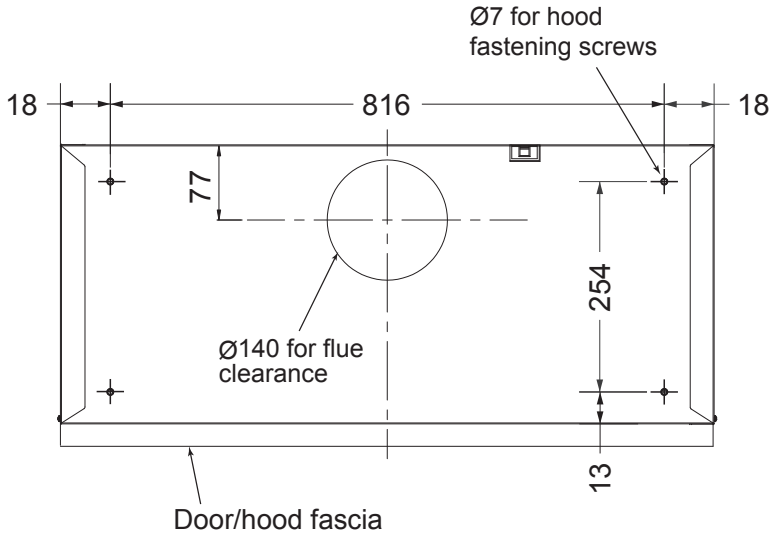
WARNING!

Failure to install the screws or fixing device in accordance with these instructions may result in electrical hazards.

Drilling holes

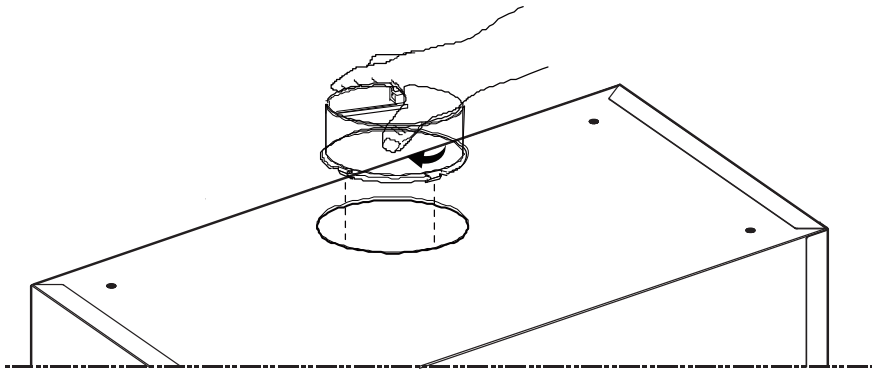
Drill the holes on top of wooden cupboard

- drill \varnothing 7mm hole
- cut \varnothing 140mm hole



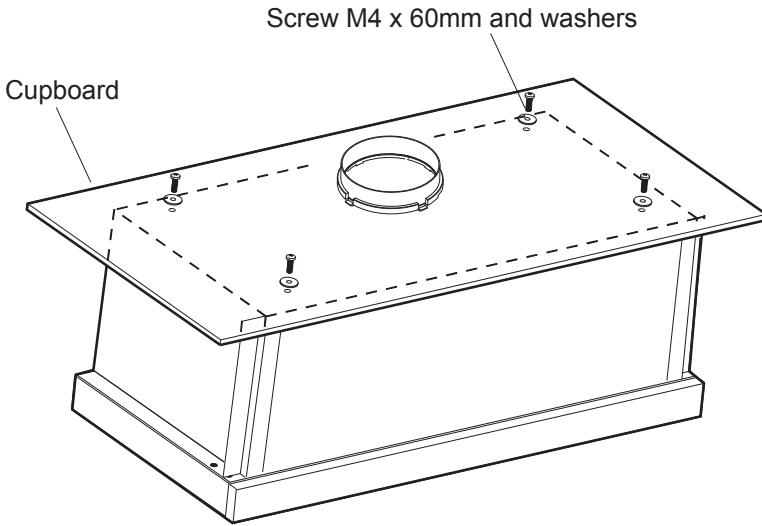
Fixing the ducting adapter

Connect \varnothing 120mm ducting adapter to the blower outlet.



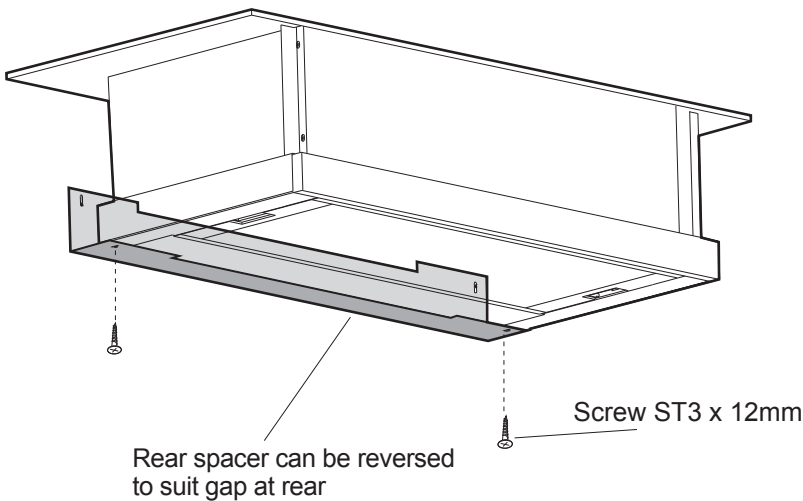
Mounting the rangehood to the underside of cupboard

Attach the rangehood to wooden support and fix it with the 4 screws supplied.



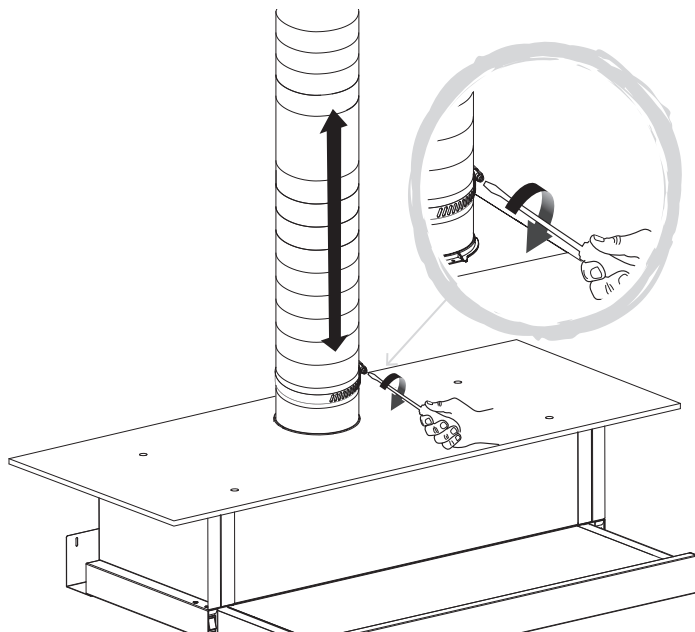
Fixing the Rear Spacer

Use suitable Rear Spacer to cover the space between the wall and the rangehood and fix it with 2 screws.

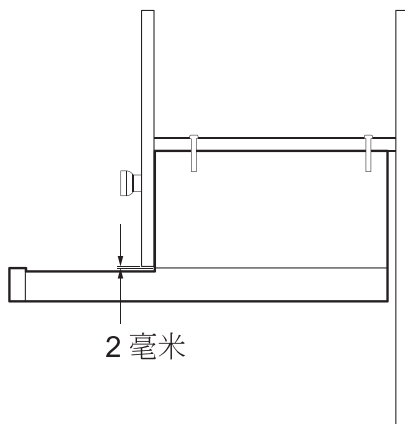
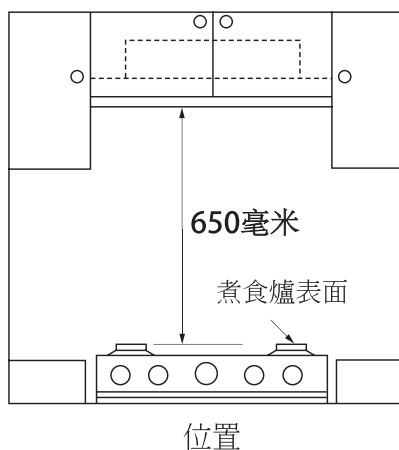


Fixing flexible duct

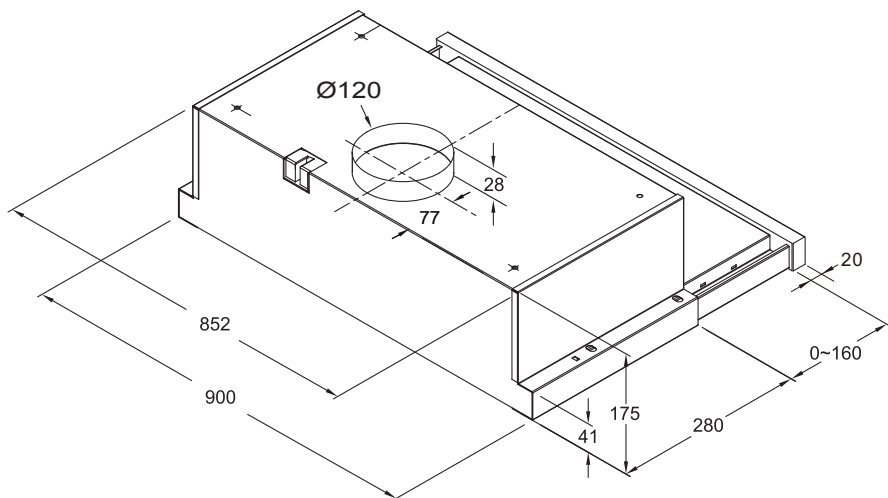
Connect Ø125 mm flexible duct to the adapter and fix it.



安裝



安裝尺寸



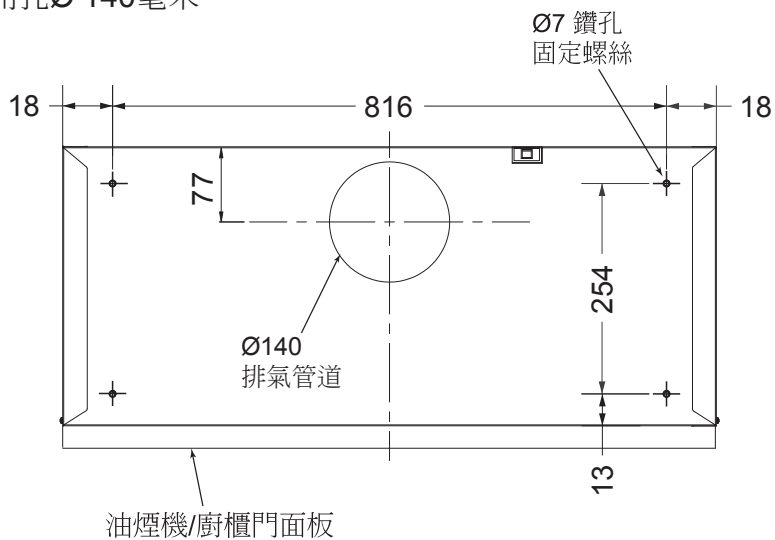
注意事項!

如果未有依照以上指示安裝螺絲及固定裝置會引致觸電危險。

鑽孔

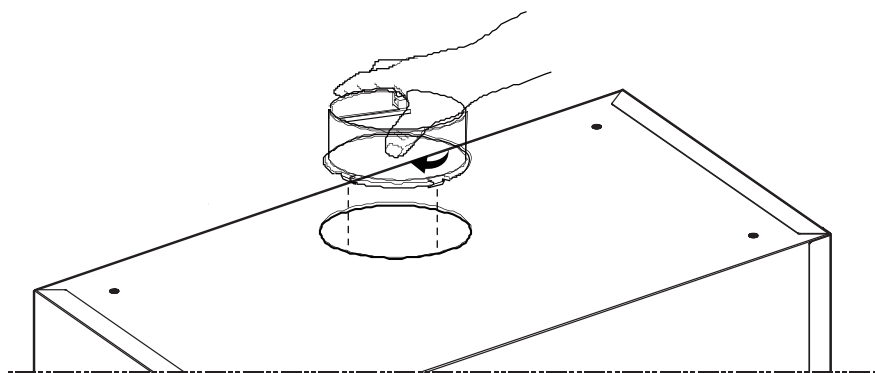
在廚櫃上方木板鑽孔

- 鑽孔 \varnothing 7毫米
- 開孔 \varnothing 140毫米



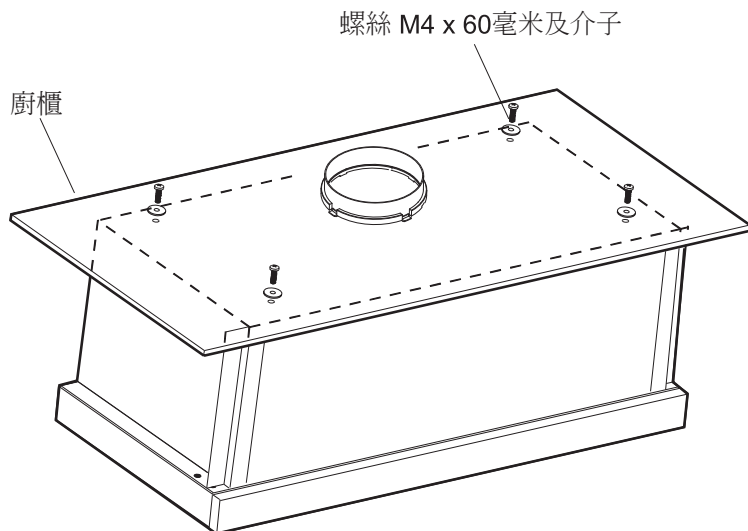
安裝排氣管接合器

將 \varnothing 120毫米排氣管接合器連接在排風口上。



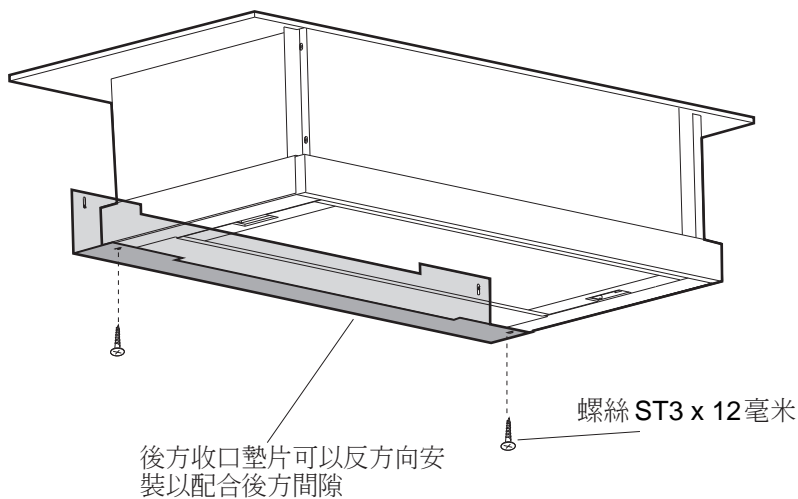
抽油煙機安裝到廚櫃的下面

將抽油機附著到木板上支撐，並與所提供的4個螺絲固定。



安裝後方墊片

選擇尺寸合適的墊片以掩蓋抽油煙機與牆壁之間的隙縫。使用隨機附設的2粒螺絲固定。



安裝伸縮排風管

將 $\varnothing 125$ 毫米的伸縮排氣管連接在接合器上，並用螺絲固定位置。

