

gemini
ITALY

Rechargeable USB Juicer Blender

隨身USB充電式果汁攪拌機

Model No./型號: GRB350F

Before using your product for first time, please read this instruction manual.
在使用本產品前, 請仔細閱讀本說明書并保存好。

SAFETY INSTRUCTION



Attention! When using electric tools, basic safety precautions should be followed to reduce the risk of fire, electric shock and personal injury, including the following:

Read all these instructions before operating this product and keep these instructions for future reference.

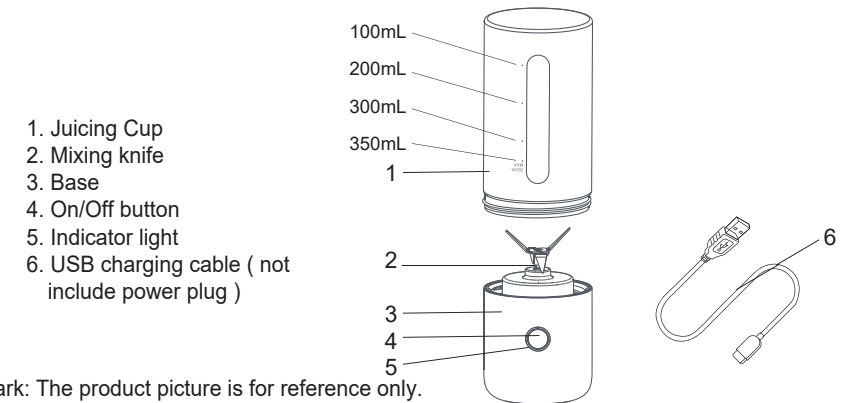
1. Read and save these instruction.
2. Check the voltage indicated on the rating plate. This juicer is designed for DC 5V/1A electric supply.
3. Cleaning and user maintenance shall not be made by children without supervision.
4. The appliance is only to be used with the power supply : 5V/ 2A provided with the appliance.
5. Incorrect operation and improper handling can lead to faults on the appliance and injuries to the user
6. In the event of improper use or incorrect handling, no liability can be accepted for any damage that may occur.
7. Do not operate the appliance if the mains cable or the mains plug show signs of damage, if the appliance has fallen on the floor or has been otherwise damaged. In such cases take the appliance to a specialist for checking and repair if necessary.
8. Never remove the mains adapter & USB outlet from the socket by pulling on the mains cable, or with wet hands.
9. Ensure that the mains cable does not hang over sharp edges or allow it to become trapped.
10. Keep the appliance away from damp, and protect from splashes.
11. Keep the appliance and its cord out of reach of children less than 8 years.
12. Use the appliance on a flat, dry and heat resistance surface.
13. Do not operate the juicer in an area where gasoline painting or such flammable liquids is used or stocked.
14. Do not let hand or other objects put into the bottle when operation the juicer. They could be hurt your finger/hand to causing damage or injuries.
15. Do not use this juicer in a damp area such as bathroom.
16. Do not use this juicer near a window.
17. Use this juicer only as it is describe in this manual.
18. Do not try to disassemble this juicer and fix it by user, If you need maintenance, please send back the juicer to our After-sales Service Center.
19. All components of this juicer must not be replaced by the user.
20. Turns on the machine without fruits / liquid will stop in 5 seconds , the longest juicer time per cycle is 45 seconds, will stops automatic , the spot flashing. Please reset the switch before switching on. Do not continuously squeeze juice to avoid the electronic original load too large and hot, affecting the life of the product.
21. When the juicer battery consumption is insufficient, plug in the charging cable with the adapter / current of more than 5V / 1A (this accessory is not supplied), and use the attached USB charging cable for charging. After full charging , the juicer will working and can be used.
22. The longer the battery is used or placed, the shorter the battery discharge time.
23. During normal use, the motor is locked when the pulp is too large to cause it to stop. The line protection program is turned on and the indicator will flashing and automatically disconnected. After the switch is disconnected, the indicator will stop flashing and double-click the On / Off Button to run again.
24. Do not put any parts of this product into various cleaning equipment such as dish washing machine.
25. Do not use steel ball, abrasive detergent or saprophyte liquid to clean this product.
26. This juicer, should not twist meat, grinding other strong fruit (Such as : Nuts, Chinese medicine, coffee bean).
27. When the juicer is working, it is strictly forbidden to open the upper cover and put the hands or other hard objects into the bottle to prevent accidents.
28. To make baby food, you can put cooked fruits, vegetables,beans and other ingredients into bottle,then add water or milk, and release to make nutritious rice paste and other supplementary food.

WARNING

- This appliance can be used by children aged from 8 years and above and persons with reduced physical, sensory or mental capabilities or lack of experience and knowledge if they have been given supervision or instruction concerning use of the appliance in a safe way and understand the hazards involved.
- Children shall not play with the appliance. Cleaning and user maintenance shall not be made by children without supervision
- There are no serviceable parts in this unit. Do not attempt to disassemble.
- Never use this juicer with any solid-state speed control device. Doing so will create fire and/or shock hazards.
- Not allow Children/Baby to put finger inside the juicer bottle or stirrer to avoid injury/danger.

Model	GRB350F
 On / Off Button	Hold the On / Off Button 2-3 Seconds to start operation for up to 45 seconds. The indicator turns to blue during operation. Continuous juicing will cause excessive heating of electronic components and affect the service life of the machine. It is recommended to operation every time for rest about 1 minute.
Indicator light	Standby mode, the indicator shows blue flashing, after lock the cup in tight position, the indicator turns to blue during operation. Full charging indicator shows blue color. If the red indicator light is flashing, it means the protection alert is ON and the machine cannot be operated, it needs to twist the bottle tightly to the base as Standby mode. The red and blue indicator lights flash alternately to indicate the blade is blocked as alert signal. Open the bottle and clear the stuck food on the cutting blade, then the alert signal can be released. If the red light is always ON, it means insufficient voltage need to recharge the unit.
 Type-C port	USB charging port, insert the end of USB port to the port of base, then connect the USB pin to the suitable power plug (DC 5V/1A this part is excluded) for charging
Power Supply	DC 5V
Input (Micro)	1A
Charging Time	About 3 hours under no battery use condition (with DC5V - 1A) (power adapter not include this part in package)
Charging Indicator	Indicator light will be red when charging, Indicator light will be blue when fully charged.
Weight	430g (including bottle)
Product Dimensions	74 Wx200 Hx74 D mm (With plastic bottle)
Battery capacity	2 000mAh Li-battery
Motor speed	14500-15500 r/min

APPLIANCE COMPONENTS



Remark: The product picture is for reference only.

HOW TO USE

Caution :

- Clean all parts in direct contact with the food materials first.
- The temperature of food and liquid should not exceed 60C; the capacity should not exceed the maximum .
- When mixing, please make sure that the silicone rim is installed in position and tighten the juicing cup Counter clockwise.
- Empty operation is prohibited to avoid parts damage or affect service life.
- It is forbidden to blend dry goods and blend hard Chinese medicinal materials (such as stone swallow, stone lotus seed, etc.)
- Do not mix carbonated drinks and soda water.

The bottle install and twist tightly on the unit base to avoid water leakage during operation.

Before use of the juicer, make sure that the battery is fully charged and clean.

Counter clockwise the bottle.

1. Wash the fruit and cut it into about 10x 10 x 10 mm cubes . A fruit with a core, hard material, thick-skinned or hard shell which can not be blended, please remove it first. (figure 1)

2. Add the cut fruit, accounting for 40% of the cup capacity. After adding water, The total amount is about 80% of the capacity of the cup (350 ml). (figure 2)

3. Juicer only will work after the bottle is fixed on the base tightly, screw the bottle cup and lock in position, Juicer only will work with Hold the On / Off Button 2-3 Seconds and the blue light flashes to start operation. (figure 3)

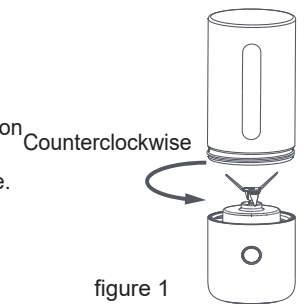


figure 1

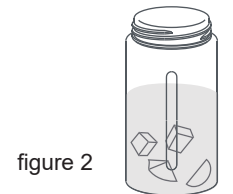


figure 2

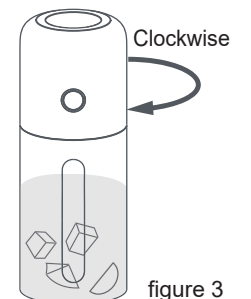


figure 3

4. Use it for horizontal position as image , Hold the On / Off Button 2-3 Seconds to operate, hold it by hand or place it on the horizontal table surface and hold the product stable. The fruit for apple, pear, citrus, etc. will blend for about 45 seconds. Shake the product lightly at work, the juice effect is better. (figure 4)

5. After the juice is done, turn off the power switch, shake horizontally or tilt the unit to avoid blades getting stuck during opening. If there is more fruit dregs, please use filter before drinking. (figure 5)

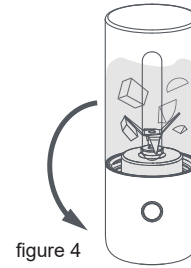


figure 4

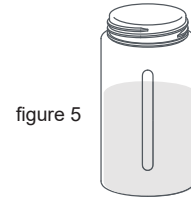


figure 5

Indicator status description

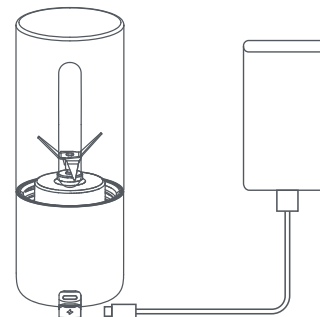
1. After the juicing cup is tightened to the base, the blue indicator flashes 5 times without operation.
2. After the juicing cup is tightened to the base, when the switch is pressed for 2 seconds, the blue indicator flashes for 3 times, and the blue indicator lights up when the machine works until the process is finished.
3. After taking out the juicing cup, the red indicator light flashes 5 times.
4. When the charging cable is plugged in for charging, the red light is always on; Charging is complete, and the blue light is always on.
5. When charging, press and hold the switch for a long time, indicating that it cannot be started.
6. When the added water is lower than the blade height, start the automatic shutdown protection for 5 seconds, and the red light flashes 3 times.

Suggested to user

1. Juicer will stop automatically after 45 seconds of operation. If you need to blend more finely, you can press the On / Off button for 2-3 seconds to continue blend again.
2. To stop blending, hold the On / Off button 2-3 seconds to stop the operation.
3. If the blade is blocked or stuck during the use of the product, clean the whole machine upside down to ensure that the mixing blade is not blocked by food and restart.
4. It is forbidden to store alcohol containing liquid into the juicing cup of this product , and it is forbidden to contain alcohol containing materials or edible alcohol.

Charging

Available with power bank or product adapter 5V / 1A to charging this product.. (this accessory is not supplied)



NOTE

1. When the battery is exhausted, the juicer will automatically turn off to protect the equipment.
2. The battery is not detachable. Please do not squeeze or remove the battery. This may lead to environmental pollution or even explosion.
3. When the ambient temperature exceeds 50°C / 140°F, it is strictly prohibited to use the fan.
4. Before seasonal storage, please charge the battery to 75% at least and suggest to charge the battery once in every 2 months in order to prolong the service life. .
5. If the juicer stops working in long time, please keep charging the battery fully charged.
6. If you put the product in a wet place, its life will be shortened.
7. For your safety, please do not put your fingers or any foreign matters into the cutting blades , juicer cup or USB charging port.
8. Bottle capacity is 350ml, and the maximum capacity is recommended not to exceed 350ml when releasing food materials.
9. When the machine is working, do not open the bottle to add ingredients or extend your hand into the bottle.
10. May get dyeing on the silicone rim for discolouring fruits. Pay attention and do not touch the blades when bottle is detached.
11. Open the silicone cover with care at lack for charging to avoid damage.
12. Do not splash or rinse water on silicone cover/USB port at the back.
13. Please do not use sharp utensils or steel ball to rub on the Juicer panel to avoid damage to the screen printing pattern. Do not use corrosive cleaner, electric oil, alcohol, etc. to clean the panel of Juicer to avoid damage to screen printing pattern.

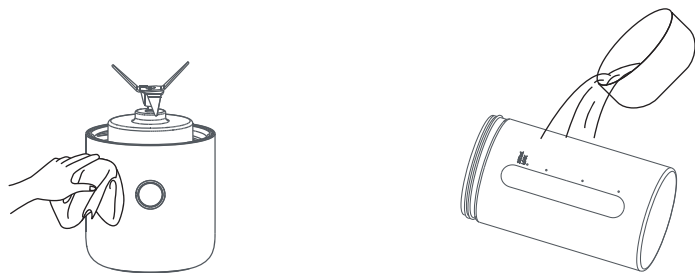
WHAT'S IN THE BOX

Juicer base with blades	1
Bottle	1
USB charging cable	1
User manual	1

HOW TO CLEAN

1. Must be turn off the Juicer before cleaning. Do not press / touch with the On / Off button. Close the USB port cover tightly before cleaning.
2. After use every time, please clean in time, do not immerse the juicer base into water when cleaning , the power supply must be cut off first. After clean the whole product, wipe clean with a dry cloth.
3. All parts should not be cleaned with hot water up to 60°C or prohibited to place in a high-temperature sterilizer. Use warm water with a proper amount of detergent Wash with a brush and rinse under tap water.

Remove and clean with the following steps:



MULTIPLE CIRCUIT PROTECION

- **Over-charge protection:** When voltage reaches 4.2V, it will automatically stop charging and prevents the damage caused by the over charging of the battery.
- **Over-discharge protection:** When the battery is depleted. This product will automatically stop .
- **Over-voltage protection:** When the external charging voltage is higher than 4.2V, it will automatically stop charging.



This marking indicates that this product should not be disposed with other household wastes.

To prevent possible harm to the environment or human health from uncontrolled waste disposal, recycle it responsibly to promote the sustainable reuse of material resources. To return your used device, please use the return and collection systems or contact the retailer where the product was purchased. They can take this product for environmental safe recycling.

PRODUCT SPECIFICATION

Model: GRB350F

Working Voltage: DC5V/1A

Power: 35W

Battery capacity: 2000mAh Li-battery

Maximum capacity: 350ml bottle

Product size: 74 Wx200 Hx74 D mm (With plastic bottle)

* The final product specification may be varied according to a different lot of material and actual input voltage power If the usage area.

重要安全事項

注意：

當使用此產品時，應遵循基本的安全預防措施，以減少火災、觸電和人身傷害的風險，包括以下內容：在使用本產品之前，請閱讀所有使用說明，並將其保存，以備將來參考。

1. 閱讀並保存此說明書。
2. 檢查銘牌上標示的電壓，本榨汁機適用於直流 5V / 1A 電源適配器充電。
3. 兒童不得在無人監督的情況下進行清潔和維護。
4. 本產品使用可充電電池（鋰電池）供電，USB 充電線隨機配送。
5. 不正確的操作和不恰當的操作可能會導致設備故障和用戶受傷。
6. 如果使用不當或操作不當，任何可能發生的損害概不負責。
7. 如電線或插線位有損壞痕跡，則不要操作本產品。在這種情況下，如有必要，可將本產品交給專業人員進行檢查和維修。
8. 切勿拉扯電線或用濕手將電源插頭從 USB 插座上拔下。
9. 確保電源線不懸掛在有鋒利邊緣的地方。
10. 防止本產品受潮，本產品主機禁止直接用水清洗，可以利用濕布擦拭清潔。
11. 不要讓兒童接觸到設備及電源線。
12. 該產品請在平坦、乾爽和耐熱的平枱使用。
13. 不要在有汽油、油漆或易燃液體的地方使用。
14. 操作榨汁機時，不要將堅硬的食材（例如堅果、水果的核、籽粒等）放入杯中，避免損壞刀具，影響果汁口感。
15. 不要在浴室等潮濕地方使用該產品。
16. 不要在靠近窗戶的地方使用該產品。
17. 請按此手冊使用該產品。
18. 切勿自行拆卸及修理，如需維修，請將本榨汁機送回本公司售後服務中心。
19. 該產品所有部件不能由用戶更換。
20. 本產品無水果或液體時開機空轉 5 秒會停止，但不建議空轉使用本產品；正常使用时，45 秒後自動停止，藍燈閃爍。再次使用時長按啟動按鈕 2 秒即可，每次最長榨汁時間為 45 秒，請勿連續長時間使用本產品，以免電子元件負荷太大並發熱，影響產品壽命。
21. 當榨汁機電池電量不足時，請使用 5V/1.0A 的適配器（不供應此配件）進行充電，充電過程中禁止使用本產品，並使用附送 USB 充電線進行充電，充滿電後可以使用。
22. 為了保證電池有良好的使用壽命，本產品在儲存或長時間放置時，建議先充滿電，每二個月檢查並再次充滿；
23. 在正常使用時，當食材過大卡住刀片或食材過於濃稠時，馬達會被鎖定，電路保護程序自動開啓，指示燈閃爍，開關斷開以後指示燈停止閃爍，再次使用時長按啟動按鈕 2 秒即可再次運行使用；
24. 請勿將本產品任何部件放入洗碗機等各種清洗設備中清洗。
25. 請勿使用鋼絲球、研磨性清潔劑或腐蝕性液體來清潔本產品。
26. 本產品為專業鮮果榨汁機，不宜絞肉、研磨其他堅果（如堅果、中藥、咖啡豆）。
27. 榨汁機工作時，嚴禁擰開攪拌杯，以防發生意外。
28. 製作嬰兒食物時，可以將煮熟的瓜果、蔬菜、豆類等食材放入杯中，再加入水或牛奶，攪打製作成營養米糊等適合嬰幼兒食用的食物。

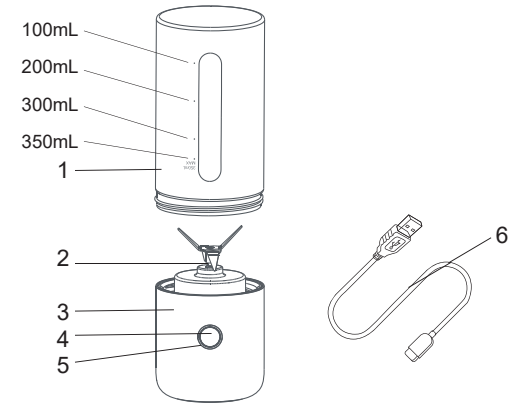
警告

- 本產品適用於 8 歲及以上的兒童。身體、感觀、智力低下或缺乏常識和經驗的人，需有成人監督或指導說明安全使用方法，了解可能的危險後，方可以使用本機。
- 不可讓兒童把玩本產品，兒童不得在無人監督的情況下進行清潔和維護。
- 不要自行拆卸本產品。
- 切勿將本榨汁機與任何調速裝置一起使用，這樣做會造成火災或電擊危險。
- 不允許兒童或嬰兒將手指放入榨汁機或攪拌器內，以避免傷害或危險。

型號	GRB350F
開關鍵	長按開關 2 秒時，藍色指示燈閃爍 3 次，榨汁機啟動。工作時藍燈常亮。連續榨汁會導致電子原件發熱過大，影響機器使用壽命。建議每次運行間隔 1 分鐘左右。
指示燈	當安裝杯子上主機時，若紅燈閃爍表示杯未裝好或空轉保護，必須把杯子擰緊在主機上，然後藍燈閃爍表示進入待機狀態未開始工作，運行時指示燈變為藍色常亮。插入 USB 充電時紅燈常亮，充滿電後指示燈為藍色常亮；指示燈紅色閃爍 3 次，表示刀片被卡住，打開杯子清除刀片上被卡住的食材後可以解除提示。如果紅燈一直亮著，則表示電壓不足，需要給本機充電。
Type-C 充電口	將 Type-C 端口的一端插入底座端口，然後將 USB 連接到合適的電源插頭 (DC5V/1A) (本產品不配送電源適配器) 進行充電。
輸入電壓	直流 5 伏
輸入電流	1 安培
充電時間	滿電量情況大約 3 小時 (DC5V /1A . 本產品不配送電源適配器)
充電指示	充電時指示燈顯示紅色，完成充電後顯示藍色
產品淨重	430 克 (連塑膠杯)
產品尺寸	長 74x 高 200x 深 74 毫米 (連塑膠杯)
電池容量	2000 毫安時鋰電池
轉速	14500~15500/ 分鐘

產品部件

1. 榨汁杯
2. 攪拌刀
3. 底座
4. 開關按鈕
5. 指示燈
6. USB 充電線 (不包含適配器)



備註：產品圖片僅供參考。

使用方法

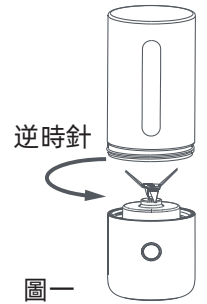
注意：

- 先清洗與食材直接接觸的部件。
- 食材與液體溫度不能超過 60°C；容量不能超過最大刻度。
- 攪拌時請先確保密封圈安裝到位，並擰緊榨汁杯。
- 禁止空載運行，以免部件損壞或影響使用壽命。
- 禁止研磨乾貨以及攪打堅硬的中藥材 (如石燕、石蓮子等)
- 禁止加入碳酸飲料和蘇打水攪拌。
- 將水瓶安裝在機組底座上并旋緊，以防運行時漏水。
- 在使用榨汁機之前，請確保電池充滿且干淨。

1. 將水果蔬菜洗淨，去皮去核，切成約 10x10x10 mm 大小的方塊。如果水果的果核不規則，材料堅硬，果皮厚或外殼堅硬則不能攪拌，請先將其取出。(圖一)。

2. 加入切好的水果，占杯子容量的 40%。加水後，總量約為杯子容量的 80% (350 毫升)。(圖二)

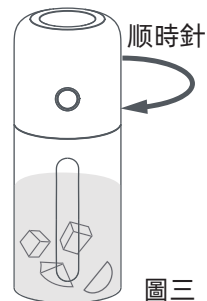
3. 把機座倒放，順時針旋轉裝在榨汁機上，把榨汁杯擰緊到位；指示燈藍燈閃爍。紅色閃爍表示未擰到位。(圖三)



圖一

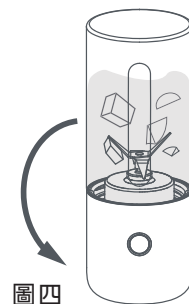


圖二



圖三

4. 使用本產品時，先垂直本產品再長按開關 2 -3 秒啟動，待攪拌正常後，用手握住使用或放置在水平桌面上且扶穩產品工作。攪拌過程中可拿起搖一搖使攪拌更均勻。（圖四）



圖四

5. 攪拌結束後，再把榨汁機倒立，逆時針擰開機座。可直接飲用或倒入其他容器。（圖五）



圖五

指示燈狀態說明

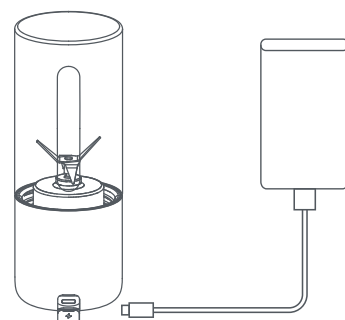
1. 榨汁杯擰緊到機座後，無操作下，藍色指示燈閃爍 5 次。
2. 榨汁杯擰緊到機座後，長按開關 2 秒時，藍色指示燈閃爍 3 次，機器進行工作時藍色指示燈長亮，直至工作結束。
3. 取出榨汁杯後，紅色指示燈閃爍 5 次。
4. 插上充電線充電時，紅燈長亮；充電完成，藍燈長亮。
5. 充電時，長按開關紅燈長亮提示不可啟動。
6. 加水量低於刀片高度時，啟動工作 5 秒自動停機保護，紅燈閃爍 3 次。

溫馨提示：

1. 整機運行 45 秒後自動停止，如需再攪拌得更細膩，可再次長按 2 秒開關繼續攪打。
2. 如需停止攪打，可單擊開關停止運行。
3. 若產品使用過程中出現堵刀或卡死現象，請將整機倒立確保攪拌刀沒有被食物堵住，重新啟動即可。
4. 本產品容器內禁止存放有乙醇成分的液體，及禁止盛裝含酒精的飲料或食用酒精。

充電

可用移動電源或產品适配器（不包含此配件及需為 5V/1A）給本產品充電。



注意事項

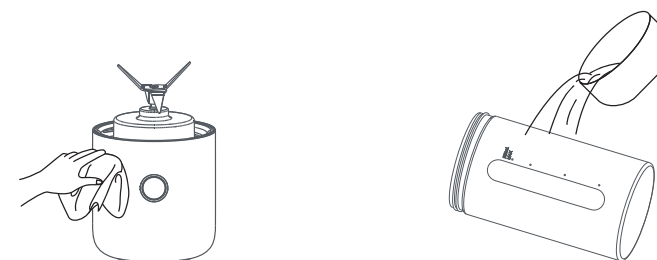
1. 當電源耗盡時，榨汁機會自動關閉，以保護設備。
2. 電池是不可拆卸的，請勿擠壓或拆卸電池。這可能會導致環境污染甚至爆炸。
3. 當環境溫度超過 50°C/140°F 時，嚴禁使用榨汁機。
4. 在季節性存儲前，請至少將電池充電至 75%，並建議每 2 個月充電一次，以延長電池使用壽命。
5. 如果榨汁機長時間停止工作，請保持電池充滿電。
6. 如果你把產品放在潮濕的地方，它的壽命會縮短。
7. 為了您的安全，請不要將手指或任何異物放入刀片、攪拌杯內或 USB 充電口。
8. 瓶身最大容量為 350 毫升，建議放入食材攪打時不要超過 350 毫升。
9. 榨汁機工作時，不要打開瓶子添加配料，也不要把手伸進瓶子里。
10. 帶色水果可能會導致矽膠圈變色。拆卸杯子時，注意不要碰到刀片。
11. 充電時小心打開矽膠蓋，以免損壞。
12. 切勿用水沖洗或濺在機背的矽膠蓋 /USB 充電口。
13. 請勿使用利器或鋼絲球在果汁杯面板上摩擦，以避免對絲印圖案造成損害。請勿使用腐蝕性清潔劑、電油、酒精等清潔果汁杯面板，以避免對絲印圖案造成損害。

產品內容

1. 帶刀片的榨汁機底座 1 個
2. 塑料杯 1 個
3. USB 充電線 1 條
4. 用戶說明書 1 本

清洗方法

1. 使用後請及時清洗，主機部分嚴禁直接浸入水中或用水沖洗；刀座部分可用清水按攪拌操作方式進行清洗。擦拭主機時，必須先斷電源，然後用乾布擦拭乾淨；除主機部分外，其它部分均可放入水中沖洗。
2. 可拆卸部分不能用高於 60°C 的熱水清洗，也不能放在高溫的消毒櫃中，可用溫水加適量清潔劑用刷清洗，然後用水沖洗即可。



多重電路保護

過壓保護：當單節電池電壓高於 4.2V，會自動停止充電，防止電池過充造成的損壞。
過放保護：當電池電量耗盡時，榨汁機不會啟動，以保護電池。
過充保護：充電時當電池電壓達到 4.2V 時，自動停止充電。



此標記表明，本產品不應與其他家庭廢物一起處置。為防止不受控制的廢物處置可能對環境或人類健康造成損害，對其進行負責任的回收，以促進物資資源的可持續再利用。若要退回您的舊設備，請使用返回和收集系統，或聯系採購此產品的零售商。他們可以把這種產品用于環境安全回收。

產品規格

產品型號：GRB350F
額定電壓：DC5V/1A
額定功率：35W
電池容量：2000mAh 鋰電池
最大容量：塑膠瓶，350 毫升
產品尺寸：長 74 x 高 200 x 寬 74 毫米 (連膠杯尺寸)

* 相關產品的規格，可能會因配件批次或實際使用地區的電壓差異而有所不同。

請記錄下列產品資料

- 型號：_____
- 機身編號：_____
- 經銷商名稱：_____
- 購買日期：_____

本產品不斷改進中，如功能有所更改，恕不另行通知，如有疑問，請與客戶服務中心聯絡，不便之處，敬請原諒。

說明書內容以英文版本為準。

ToolBox Customer Service Centre 客戶服務中心：

4/F, DCH Building, 20 Kai Cheung Road, Kowloon Bay, Hong Kong
香港九龍灣啟祥道 20 號大昌行集團大廈 4 樓

Customer Service Hotline 客戶服務熱線：(852) 8210 8210
Service E-mail 電郵地址：8210service@gilman-group.com
Please register now at 請即上網登記：www.toolbox.hk
Website 網址：www.gilman-group.com



Proudly Serviced by:



太平家庭電器