



gemini
ITALY

8-INCH CORDLESS
RECHARGEABLE
DESK FAN / CLIP FAN
(USB / CORDLESS OPERATION)

8吋 無線充電式
座抬 / 夾扇
(USB / 無線使用)

Model No./ 型號: GMCF10



SAFETY INSTRUCTION

Attention! When using electric tools, basic safety precautions should be followed to reduce the risk of fire, electric shock and personal injury, including the following,

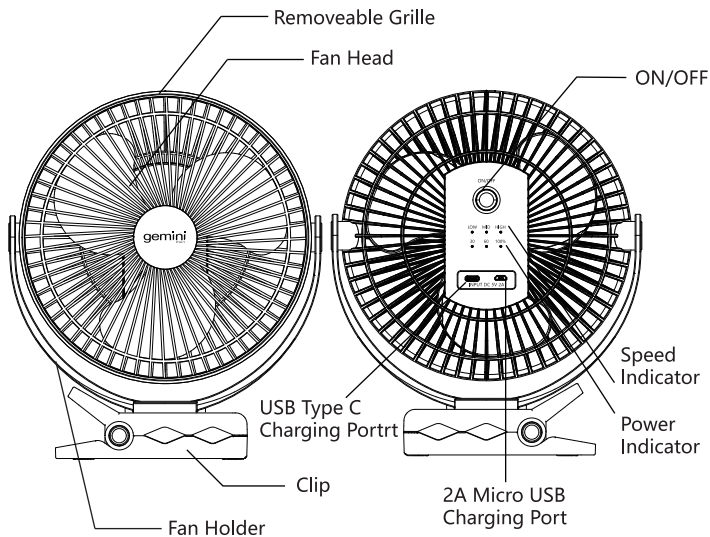
Read all these instructions before operating this product and keep these instructions for future reference.






1. Read and save these instruction.
2. Check the voltage indicated on the rating plate. This fan is designed for USB 5V 2A and Li-ion polymer cell 10000mAH electric supply.
3. Cleaning and user maintenance shall not be made by children without supervision.
4. The appliance is only to be used with the power supply : 5V 2A provided with the appliance.
5. Incorrect operation and improper handling can lead to faults on the appliance and injuries to the user
6. In the event of improper use or incorrect handling, no liability can be accepted for any damage that may occur.
7. Do not operate the appliance if the mains cable or the mains plug show signs of damage, if the appliance has fallen on the floor or has been otherwise damaged. In such cases take the appliance to a specialist for checking and repair if necessary.
8. Never remove the mains adapter & USB outlet from the socket by pulling on the mains cable, or with wet hands.
9. Ensure that the mains cable does not hang over sharp edges or allow it to become trapped.
10. Keep the appliance away from damp, and protect from splashes.
11. Keep the appliance and its cord out of reach of children less than 8 years.
12. Use the appliance on a flat, dry and heat resistance surface.
13. Do not operate the fan in an area where gasoline painting or such flammable liquids is used or stocked.
14. Do not let hair, curtains, tablecloth, clothes or other objects next to the air outlet of the fan. They could be sucked into the fan, causing damage or injuries.
15. Do not use this fan in a damp area such as bathroom.
16. Do not use this fan near a window.
17. Use this fan only as it describe in this manual.
18. Do not try to disassemble this fan and fix it by user, If you need maintenance, please send back the fan to our After-sales Service Center.
19. All components of this fan must not be replaced by the user.

! WARNING

1. This appliance can be used by children aged from 8 years and above and persons with reduced physical, sensory or mental capabilities or lack of experience and knowledge if they have been given supervision or instruction concerning use of the appliance in a safe way and understand the hazards involved.
2. Children shall not play with the appliance. Cleaning and user maintenance shall not be made by children without supervised.
3. There are no serviceable parts in this unit. Do not attempt to disassemble.
4. Never use this fan with any solid-state speed control device. Doing so will create fire and/or shock hazards.
5. Not allow children/Baby to put finger inside the fan grilles to avoid injury/dange.

APPLIANCE COMPONENTS



	<p>Short press and turn on the fan at low wind speed. Each short press can change the speed from Low speed-Middle speed-High speed- Natural wind speed Long press for 5 seconds-turning off</p>
	<p>Fan speed indicator : press once : Low indicator on, press twice : Mid indicator on, press thrice : High indicator on, press forth : Natural wind all indicator on</p>
	<p>Battery power indicator : 30%-60%-100%, Full charging these 3 lights are bright always</p>
	<p>USB Type C charging port</p>
	<p>Micro USB charging port</p>
<p>Power Supply</p>	<p>DC5V / Li-ion polymer cell (non-removable)</p>
<p>Input (Micro)(Type C)</p>	<p>2A MAX</p>
<p>Rated Power</p>	<p>10 Watt</p>
<p>Battery Type</p>	<p>10000mAh Li-ion polymer cell</p>
<p>Working Temperature</p>	<p>-10°C~50°C (14°F ~ 122°F)</p>
<p>Storage Temperature</p>	<p>-20°C~60°C (-4°F~140°F)</p>
<p>Charging Time</p>	<p>6-7 Hours under no power condition (with 2A adapter)</p>
<p>Charging Indicator</p>	<p>Battery power indicator flashes</p>
<p>Finish Charging Indicator</p>	<p>Three lights are bright always</p>
<p>Adjustable Degree</p>	<p>0-360 degree (fan head & fan holder)</p>
<p>Material</p>	<p>ABS</p>
<p>Product Dimensions</p>	<p>W*H*D: 217.5*256*80.5mm</p>
<p>Cable Length</p>	<p>100cm (Micro port USB cable included)</p>
<p>Weight</p>	<p>0.77kg</p>

How to Charge

Note: Only 2 A device (adapter, USB outlet even power bank) supports fast charging. The charging time will be different when you use : 1 A device for charging.

- 1.Place the fan on the flat floor .
- 2.Insert the provided USB cable into the fan charge port.
- 3.Connect the cable with a 5V/2A USB outlet, like USB charger, cell phone adapter, laptop, power bank, a 5V/2A adapter would be the best choice for shorten the charging time

Note: 1. When using 2A USB outlet, it supports charging while working.

- 2.If you use 1A or less than 1A USB adapter, it can't charge the fan while working and it will auto lower the fan speed when it is low power. In case of the fan stop working in a short time, please keep the battery in a full charged condition. Battery's lifetime would be shortened if you keep the fan in a wet place.

Tips: To shorten the charging time, please turn off the fan, and connect the cable with a 5V/2A USB outlet, like USB charger, cellphone adapter, etc.,.Some USB outlets might have insufficient output current, which will slow down the charging speed or even stop charging.

Note

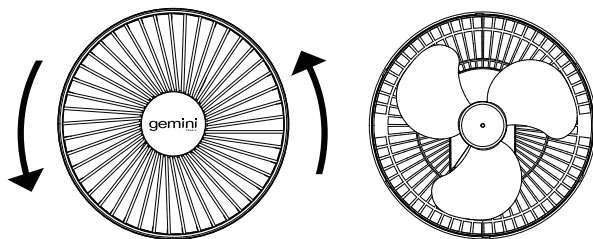
- 1.The fan speed will automatically decrease to protect the device when power is going to exhaust.
- 2.Batteries of fan are NON-REMOVABLE, hence, please DO NOT extrude or disassemble the battery of fan . Doing this might lead to the environmental pollution even explosion.
- 3.It is strictly PROHIBITED to charging the battery when the ambient temperature is over 50 °C / 140°F.
- 4.Please charge the fan up to 60% before seasonal storage.
- 5.In case of the fan stop working in a short time, please keep the battery in a full charged condition.
- 6.Battery's lifetime would be shortened if you keep it in a wet place.
- 7.For your safety, please do not put fingers or any foreign objects into the fan.

What's in the box

If anything is missing in the packaging, please contact the seller.

Fan	1
USB cable	1
User Manual	1

How to Clean



Front grille

1. Turn off the fan
2. Rotate the fan's front grille counterclockwise, and take off the front grille
3. Clean the fan grille and housing with dry clean cloth (The fan is not waterproof, don't immerse it into water) after cleaned, assemble the front grille at clockwise direction tightly

Notice: Cleaning and maintenance shall not be made by children without supervision.

MULTIPLE CIRCUIT PROTECTION

Over-charge protection: When voltage reaches 4.2 V, it will automatically stop charging and prevents the damage caused by the over charging of the battery.

Over-discharge protection: When the fan speed will automatically decrease to protect the device when power is going to exhaust.

Over-voltage protection: When the external charging voltage is higher than 5.5V, it will automatically stop charging.

CAUTION



This marking indicates that this product should not be disposed with other household wastes.

To prevent possible harm to the environment or human health from uncontrolled waste disposal, recycle it responsibly to promote the sustainable reuse of material resources. To return your used device, please use the return and collection systems or contact the retailer where the product was purchased. They can take this product for environmental safe recycling.

TECHNICAL DATA

Model No. : GMCF10

Power supply: DC 5V/ 2A

Power : 10W

Product Dimensions: 217.5(W)x256(H)x80.5(D)mm

Net Weight: 0.77kg

重要安全事項

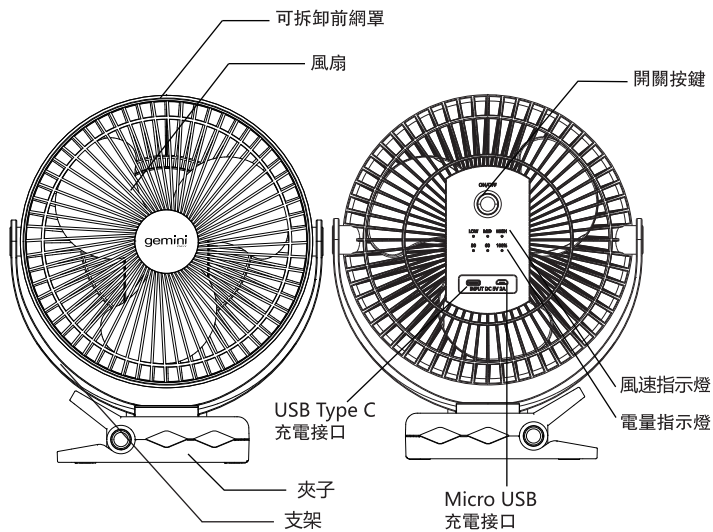
注意：當使用此產品時，應遵循基本的安全預防措施，以減少火災，觸電和人身傷害的風險，包括以下內容：

1. 閱讀並保存此說明書。
2. 檢查銘牌上標示的電壓。本產品應在DC 5V/2A的電力供應中使用。
3. 兒童不得在沒有監督的情況下進行清潔和維護。
4. 本產品只可與該產品所設置的供電裝置一起使用。
5. 不正確的操作和不當的操作可能會導致設備故障和用戶受傷。
6. 如果使用不當或操作不當，任何可能發生的損壞都不承擔任何責任。
7. 如電線或插線位有損壞痕跡，則不要操作本產品。在這種情況下，如有必要，可將本產品交給專業人員進行檢查和維修。
8. 切勿拉扯電線或用濕手將電源插頭從插座上拔下。
9. 確保電源線不懸掛在有鋒利邊緣的地方。
10. 防止本產品受潮，本產品不能被水濺濕。
11. 不要讓8歲以下的兒童接觸到設備及電源線。
12. 該產品請在平坦、乾燥和燥熱的表面使用。
13. 不要在有汽油、油漆或易燃液體的地方使用。
14. 不要讓頭髮、窗簾、桌布、衣服或其他物品靠近風扇的出風口。他們有可能被吸進風扇而造成損傷或受傷。
15. 不要在浴室等潮濕地方使用該產品。
16. 不要在窗戶上用該產品。
17. 請按此手冊使用該產品。
18. 不要試圖拆卸此產品進行維修，如果要維修，請將該產品送回我們的售後服務中心。
19. 該產品所有部件不能隨意讓用戶自行替換。

警告

- 8歲以上的兒童、身體、感觀、智力比較弱、欠經驗和知識的人仕，在經過指導說明安全使用方法和知道可能的危險後，可以使用本機。兒童不可以把玩本產品，清潔和維修不可給兒童處理。
- 此產品沒有可移除部件。請不要自行拆卸。
- 此產品切勿與任何固態速度控制裝置使用，以免造成火災和/或斷路危險。
- 禁止幼兒/兒童伸手指進風扇網內，以免發生危險傷害。

產品部件



	<p>短按一下開啟風扇並在低風速檔:每短按一下可設換風檔 低檔-中檔-高檔-自然風檔 檔位指示燈: 按一下低檔燈亮, 再按一下中檔燈亮, 再按一下高檔燈亮, 再按一下自然風檔, 所有燈全亮 長按5秒關機</p>
	<p>檔位指示燈: 低 - 中 - 高 - 自然風檔</p>
	<p>電池餘量指示燈: 30%-60%-100% 充滿電時3個指示燈全亮</p>
	<p>USB Type C 充電接口</p>
	<p>Micro USB 充電接口</p>
<p>電源</p>	<p>DC5V / 鋰離子聚合物電池 (不可更換)</p>
<p>輸入 (Micro)</p>	<p>2A 最大</p>
<p>Rated Power</p>	<p>10瓦特</p>
<p>電池類型</p>	<p>10000mAh鋰離子聚合物電池</p>
<p>工作溫度</p>	<p>-10°C~50°C (14°F~ 122°F)</p>
<p>存儲溫度</p>	<p>-20°C~60°C (-4°F~140°F)</p>
<p>充電時間</p>	<p>6-7 小時, 在無電情況下 (2A適配器)</p>
<p>充電指示</p>	<p>電池餘量指示燈閃爍</p>
<p>完成充電指示</p>	<p>三個燈全亮</p>
<p>風扇調整角度</p>	<p>左右上下均可手動360°搖頭(風扇頭及風扇支架)</p>
<p>材質</p>	<p>ABS</p>
<p>產品尺寸</p>	<p>闊×高×深: 217.5×256×80.5mm</p>
<p>綫材長度</p>	<p>100 cm (包含1條 Micro USB 電線)</p>
<p>重量</p>	<p>0.77千克</p>

充電方法

注意：只有2A設備（轉接器、USB插座甚至便携式充電器）支持快速充電。如果使用1A裝置充電，充電時間將不符合我們上述情況。

- 1.將風扇放到桌面上/平面上。
- 2.將USB電線插入風扇充電孔位上。
- 3.將電線與5伏/2安培的USB插座連接，如USB充電器、手機轉接器、筆記型電腦、便携式充電器，5伏/2安培轉接器是縮短充電時間的最佳選擇。

注意：

- 1.使用2A USB充電設備時，可供直接操作/充電
- 2.如果您使用的是1A或以下的USB設備，工作時不能給風扇充電，低功率時會自動降低風扇轉速，如果風扇在短時間內停止工作，請保持電池充滿電。如果你把電池放在潮濕的地方，它的壽命會縮短。

提示：為了縮短充電時間，請關閉風扇，將電纜與5伏/2A的USB充電設備，如USB充電器、手機充電線等，有些USB插座可能輸出電流不足，會降低充電速度甚至停止充電。

注意事項

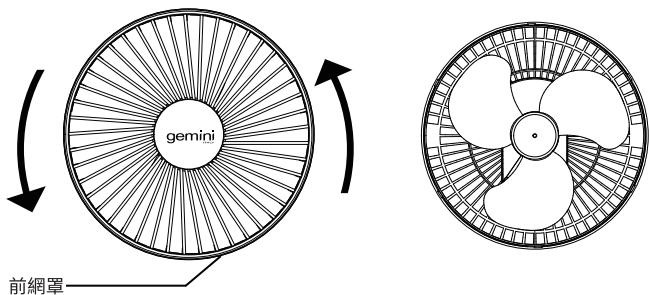
- 1.當電源耗盡時，風扇轉速將自動降低以保護設備。
- 2.電池是不可拆卸的，請不要擠壓或拆卸電池。
這樣做可能導致環境污染甚至爆炸。
- 3.當環境溫度超過50°C/140°F時，嚴禁使用電池。
- 4.在季節性存儲之前，請將電池充電至60%。
- 5.如果風扇在短時間內停止工作，請保持電池充滿電。
- 6.如果你把電池放在潮濕的地方，它的壽命會縮短。
- 7.為了您的安全，請不要將手指或任何異物放入風扇。

配件內容

風扇	1
Micro USB線	1
說明書	1

注：如果發現有任何配件缺失，請聯繫賣方

清洗方法



1. 關閉風扇；
2. 逆時針旋轉風扇前網，取下前網；
3. 用乾淨的布擦拭清潔風扇。

注意：擦拭風扇前風扇一定要停止工作；風扇不防水，不要放入水中；未經監督，兒童不得進行清潔。

多重電路保護

過壓保護：當外部充電電壓高於4.2V，會停止充電。

過放保護：當電池耗盡時，風扇轉速降自動降低以保護設備。

過充保護：充電時當電池電壓達到5.5V時，停止充電，防止電池過充而損壞。



此標記表明，本產品不應與其他家庭廢物一起處置。為防止不受控制的廢物處置可能對環境或人類健康造成損害，對其進行負責任的回收，以促進物質資源的可持續再利用。若要退回您的舊設備，請使用返回和收集系統，或聯繫採購此產品的零售商。他們可以把這種產品用於環境安全回收。

產品規格

型號：GMCF10

電壓：DC 5V/2A

功率：10W

產品尺寸：217.5（闊）x256（高）x80.5（深）毫米

淨重重量：0.77千克

請記錄下列產品資料

● 型號

● 機身編號

● 經銷商名稱

● 購買日期

本產品不斷改進中，如功能有所更改，恕不另行通知，如有疑問，請與客戶服務中心聯絡，不便之處，敬請原諒。

說明書內容以英文版本為準

ToolBox Customer Service Centre 客戶服務中心：

4/F, DCH Building, 20 Kai Cheung Road, Kowloon Bay, Hong Kong
香港九龍灣啓祥道20號大昌行集團大廈4樓

Customer Service Hotline 客戶服務熱線：(852) 8210 8210

Service E-mail 電郵地址：8210service@gilman-group.com

Please register now at 請即上網登記：www.toolbox.hk

Website 網址：www.gilman-group.com



Proudly Serviced by:



太平家庭電器