

gemini
ITALY

EASY CARRY MULTI-FUNCTIONAL
MINI ELECTRIC COOKER
便攜式多功能迷你煮食鍋
Model No.型號: GMC5V

Before using your product for first time, please read this instruction manual.
在使用本產品前，請仔細閱讀本說明書並保存好。

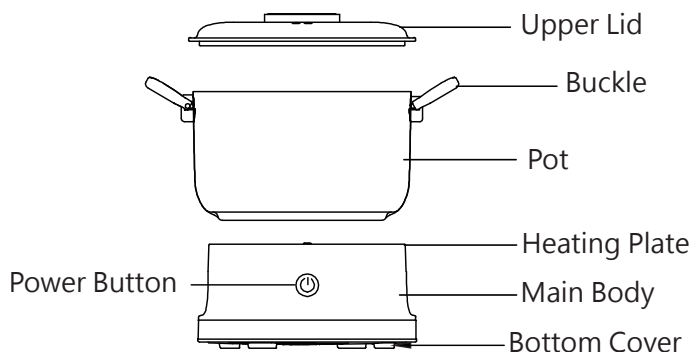
SAFETY INTRUCTIONS

1. Please read these instructions carefully and retain for future reference.
2. This appliance is not intended for use by persons (including children under 8 years old) with reduced physical, sensory or mental capabilities, or lack of experience and knowledge, unless they have been given supervision or instruction concerning use of the appliance by a person responsible for their safety. Children should be supervised to ensure that they do not play with the appliance.
3. Have any repairs carried out solely by a qualified electrician. Never try to repair the appliance yourself.
4. Use this appliance solely in accordance with these instructions.
5. Never use the appliance outdoors and in a humid room.
6. Before start use, ensure the power supply same as indicate at the appliances. All power supply should be earthed.
7. Appliances should place at a stable platform, keep away from children .
8. If the power cable is damaged, contact service center to replace a new cable. Do not change by yourself .
9. While selecting the features, do not press the button with great force , it will damage the button and control panel.
- 10.Any faulty operation, must turn off power and unplug the power supply. Do not unplug while your hand is wet, it will get electric shock.
- 11.Do not pull the line along sharp object / sharp edges, crimp the wire or let it hang down. Also put away from hot and wet .
- 12.Do not insert any metal object into to the heat dissipation holes / gaps, otherwise it will damage / danger the of electric shock.
- 13.Do not place the product on the surface or beside extreme heat condition, such as oven etc.
- 14.It is forbidden to use this product on an unstable / inclined platform to avoid accident such as injury or fire cause by products falling over.
- 15.Keep away from children or in-experienced person to operate this products.

16. While in process, it is normal the pot body is always hot when pouring water out, please lift the pot by holding the handle. Do not touch the pot body with bare hands, otherwise will get hurt easily.
17. Please keep the surface of the heating plate clean. After use it for a period of time, you need to clean the dirt on the surface of the heating plate.
18. The product will generate steam when it is working. Please be careful while using it.
19. Do not allow liquid to flow into the product during cleaning, and to avoid danger do not allow the power cord, plug, main body, etc. to dip in the water.
20. If the product is dry burning, please add water to the pot or unplug the power supply. At this time, do not touch the heater with your hands to avoid scalding.
21. After use, there is residual heat in the body and heating plate. Be careful of scalding.
22. Please keep the surface of the heating plate clean. After using for a period of time, the dirt on the surface of the heating plate and the scale on the inner wall of the pot must be cleaned in time.

PRODUCT REVIEW

This unit is for HOUSEHOLD USE ONLY



Note : The pictures are for reference only, assemblies maybe different from the picture.

FIRST USE

1. Please remove all protective film covered on inner pot surface before use.
2. Put the pot with ingredients on the main body and plug in the power supply.
3. At this time, the button indicator light circle is flashing (the lamp circle flashing is in standby mode), touch the button, the indicator light circle turns on steadily (the appliance enters the working state).
4. When cooking is done or needs to stop, touch the button again, the indicator light circle becomes flashing again, at this time, the appliance stops heating.
5. The product will not power off automatically. In order to avoid severe boiling, please take care of the product.
6. When the accidental dry burning occurs and the overall temperature reaches a specific temperature, the product will be protected and turn off automatically.
7. In order to ensure safety, please leave the appliance in standby mode and pull out the power plug when not in use.

IMPORTANT TIPS :

When used for the first time, there will be burning smell and slight smoke, which is normal. After using for more than ten minutes, the burning smell and smoke will disappear.

1. Before using for the first time , you should wash it thoroughly, then add water in the pot, and turn on the appliance to boil the water for one or two times as to clean the pot.
2. When boiling water or food, in order to prevent excessive water from overflowing the pot, the pot should not be filled with too much water. It is recommended that 80% (around 800ml) of water and food be filled.
3. Frying : remove the lid of the pan. If you need to add water to the pan, cover it with the lid after adding water.

USAGE

Boil water

Notice: This product can also be applied to 110-240V, when 110V heating power becomes 250W, heating time will be relatively longer.

1. Remove the top cover, add fresh water, and then close the top cover. (Note: There is no need to snap the top cover into the buckle after the top cover).
2. Turn on the power, touch the power button, the indicator light circle changes from flashing to steadily, and the product begins to heat up.
3. After the water in the pot has boiled, touch the button , the indicator light circle changes from flashing to steadily, and the product stops heating.

Noodles

1. Remove the upper cover, add fresh water, and then close the upper cover (Note: There is no need to snap the upper cover into the buckle after closing the upper cover here).
2. Turn on the power, touch the power button, the indicator light circle changes from flashing to steadily, and the product begins to heat up.
3. After the water in the pot boils, put the noodles in the pot. After the noodles are cooked, touch the power button. The indicator light circle changes from steadily to flashes, and the product stops heating.

Hot pot

1. Remove the upper cover, add fresh water, and then close the upper cover (Note: There is no need to snap the upper cover into the buckle after closing the upper cover here).
2. Turn on the power, touch the power button, the indicator light circle changes from flashing to steadily, and the product begins to heat up.
3. After the water in the pot boils, put the food in the pot and enjoy it when cooked.
4. After using the hot pot, touch the power button, the indicator light circle changes from steadily to flash, the product stops heating.

Frying

1. When frying food, please add an appropriate amount of oil to the pot.
2. During the frying process, please stir it with a wooden spatula or chopsticks to avoid damage to the coating.
3. After frying, please turn off the power, and take the appliance to cool down before cleaning.

Tips:

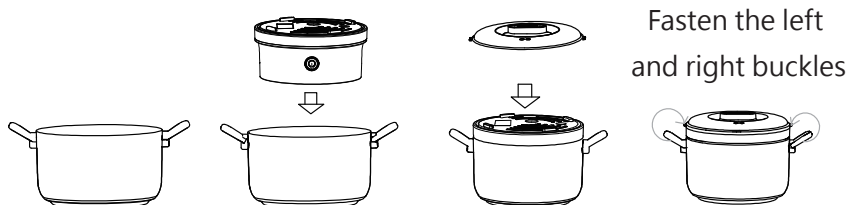
1. When frying food, please do not put on the lid to avoid overheating of the lid and burns during use.
2. When it is used for the first time or if it has not been used for a long time, if it is needed, the electric heating pot should be washed, then add water to the maximum level, then boil the water twice, pour it out, so as to clean the sterilization pot.
3. When boiling water or cooking food, in order to prevent too much water from causing the overflow pot, it is not advisable to fill the pot with water with 80% capacity.

CLEANING AND MAINTENANCE

1. After use, please unplug from the power socket in time.
2. The pot can be cleaned with detergent and sponge. Do not use hard steel wire to avoid damage to the surface.
3. To remove the scale of the pot, pour 20mL of white vinegar on the heating plate and soak it for 15 to 20 minutes, then rinse with clean water.
4. Do not immerse the host in water. The outer surface of the product can only be wiped with a wet towel, and must not be washed with water to avoid electric leakage and malfunction.
5. When using or moving the electric cooker, it is necessary to handle it gently. It is strictly forbidden to move the electric cooker with electricity on.
6. When the product is not used for a long time, please clean it, put it in the packaging box, and place it in a ventilated and dry place to prevent moisture from affecting its use.

PRODUCT STORAGE

1. Make sure the pot and main body is cooled down.
2. Put the cleaned and dried pot on a flat table.
3. Invert the main unit into the pot body and put the upper cover on the bottom cover of the main unit.
4. Buckle the left and right of the upper cover into the buckle.



1. Wash and dry the pot.

2. Place the main body into the pot.

3. Put the top cover on the bottom cover of the main body.

4. Pull the left and right side of the top cover into the buckle.

Common problems and analysis

Indicator is off, the appliance do not work:

Whether the power on?

Whether the power plug plugged in?

Whether the power socket is closed?

Notice:

If you still cannot solve these abnormal phenomenon after analysis above problems, please contact with service department. It is strictly forbidden for non-professionals to disassemble the machine.

SPECIFICATIONS

Model No.: GMC5V

Voltage & Frequency: 110-220V ~ 50-60Hz

Power : 250-500W

Capacity: 1.0 liters (Max)

Product Dimension: 212(W) x 168(H) x143(D) mm (With pot and lid)

***The final product specification may be varied according to a different lot of material and actual input voltage power of the usage area. .**

安全指引

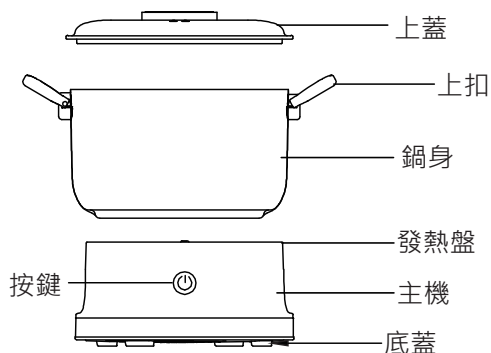
1. 請於操作前詳閱操作指引,避免使用不當而造成損壞或危險。
2. 8歲以下兒童、傷健人士、精神及感官受到影響及缺乏操作常識和經驗者不適宜獨立操作此產品。如需操作需有相關人士從旁指引及對其行為安全負責。
3. 如本產品出現問題，請聯絡代理商或合資格人士處理並不要自行對其進行維修以免發生危險。
4. 本產品只適用於家居室內操作，並不適用於商業用途及不要在濕度高的室間內使用。
5. 使用前請確保插座的接地有效，同時請確認輸入電壓為110-220V~50-60HZ。
6. 如果電源線損壞，必須用專用的軟線或從其製造商 或維修部買到的專用組件來更換。
7. 操作按鍵時不可用力過猛,以防按鍵損壞。
8. 在使用過程中，若發生問題時，請先將電源插頭從插座上拔下；禁止濕手拔、插插頭，以免觸電。
9. 不可沿尖端物或鋒利邊緣沿來拽線、壓線或讓它懸垂下來，同時要遠離熱源和濕源。
- 10.不要將金屬等異物插入散熱孔或間隙中，否則可能導致電路損壞。
- 11.切勿將本產品放置在帶熱源的表面上或熱源旁，如焗爐等。
- 12.禁止放置在不平或傾斜的臺面上使用本產品,避免產品容易傾倒引起傷害或火災等事故。
- 13.不要在地毯、塑膠凳不耐熱的表面或者附近使用，會因蒸汽受損的物體不要放置在本產品上方。
- 14.本產品不適用於兒童、精神病患者或缺乏經驗的人 使用或把玩本產品。
- 15.產品使用過程中，其鍋身變熱是一種正常現象,當倒水時，只能拿起提手來提鍋身，切勿用手接觸鍋身的高溫表面,以免燙傷。
- 16.請保持機器發熱盤表面清潔,使用一段時間後，需清理發熱盤表面的污垢。
- 17.產品工作時會產生蒸汽容易引起燙傷, 請務必小心。
- 18.清洗時請勿讓液體流入產品內部，也不可將電源線、插頭、整機等浸入液體裏，以免發生危險。
- 19.若產品出現乾燒情況，請往鍋內加水或拔掉電源，此時切勿用手觸摸發熱零件以免燙傷。

20. 使用後鍋身與發熱盤有餘熱，小心燙傷。

21. 請保持電熱鍋發熱盤表面清潔，使用一段時間後，必須及時清理發熱盤表面的污垢及鍋身內壁水垢。

注意！ 此產品只適合家庭用途。

部件示意圖



注意:如產品圖片與實物略有不同，請以實物為準。

使用步驟

1. 使用前請將內罐表面覆蓋的保護膜取下。
2. 將裝有食材的鍋身放於主機上，並插上電源。
3. 此時按鍵指示燈圈為閃爍（燈圈閃爍為待機狀態），再觸摸按鍵，指示燈圈變為長亮狀態，產品即進入工作狀態。
4. 當煮食完成或煮食過程中需要停止使用時，此時再觸摸按鍵，按鍵指示燈圈則長亮重新變為閃爍，此時產品停止加熱。
5. 當鍋身中的水已經沸騰，產品不會自動斷電，為避免劇烈沸騰現象發生，請你從旁照看使用。
6. 當發生意外乾燒，超溫達到特定溫度時產品才會自動保護，為了保證安全，如您在使用過程中走開或停止使用，一定要將產品置於待機狀態，並拔出電源插頭。

使用方法

溫馨提示：

本產品110-240V也適用，當110V時發熱功率會變成250W，加熱時間會相對加長。

首次使用時會有燒焦味及微煙產生，此乃正常現象。使用十幾分鐘後燒焦味及微煙就會消失。

- 1.當第一次使用前或者長時間沒有使用的情況下，如需要用時，應先把本產品內洗乾淨，再加適量清水，然後把水煮滾一到兩次並倒掉，以便清潔鍋身。
- 2.煮水或煮食物時，為防止水量過多造成溢出，鍋身內不宜加水過滿，建議為80% (約800毫升)額定容量。
- 3.煎炒料理時：不可使用鍋蓋，若需往鍋內加水，加水後可蓋上上蓋。

煲水

- 1.拿開上蓋，加入清水，然後蓋上上蓋（注意：此處蓋上上蓋後是不需要再將上蓋卡入卡扣的）。
- 2.接通電源，觸摸按鍵，按鍵指示燈圈由閃爍變更長亮，產品開始加熱。
- 3.等鍋中的水沸騰後，觸摸按鍵，按鍵指示燈圈由長亮變為閃爍，產品停止加熱。

煮麵條

- 1.拿開上蓋，加入清水，然後蓋上上蓋（注意：此處蓋上上蓋後是不需要再將上蓋卡入卡扣的）。
- 2.接通電源，觸摸按鍵，按鍵指示燈圈由閃爍變更長亮，產品開始加熱。
- 3.待鍋中水沸騰後，將麵條放入鍋中，待面煮熟後，觸摸按鍵，按鍵指示燈圈由長亮變為閃爍，產品停止加熱。

火鍋

- 1.拿開上蓋，加入清水，然後蓋上上蓋（注意：此處蓋上上蓋後是不需要再將上蓋卡入卡的）。
- 2.接通電源，用手觸摸按鍵，按鍵指示燈圈由閃爍變更長亮，產品開始加熱。
- 3.待鍋中的水沸騰後，將食物放入鍋中，煮熟後即可享用。
- 4.火鍋使用完成後，觸摸按鍵，按鍵指示燈圈由長亮變更閃爍，產品停止加熱。

煎製食物

- 1.煎雞蛋等食物時，請先將適量食油加入鍋中，煎製過程中，請用木鏟或者筷子進行翻炒，以免破壞塗層。
- 2.煎制完畢請關閉電源開關，待器具冷卻後再清洗。

溫馨提示：

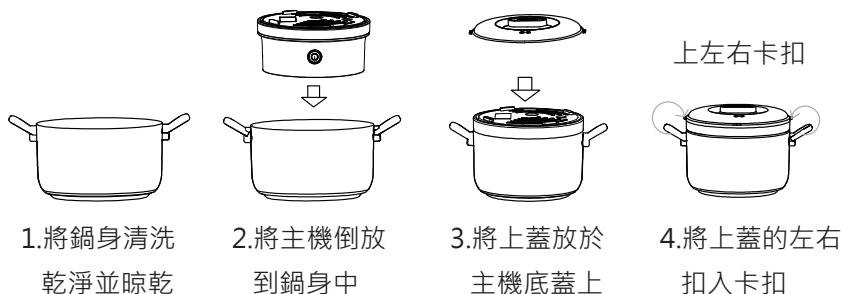
煎炒食物時，請勿蓋上蓋子，以免蓋子溫度過高，使用過程中燙傷。

保養和維護

- 1.使用完畢後，請及時從電源插座上拔下插頭。
- 2.鍋身件可用洗潔精和海綿清洗，請勿使用硬質鋼絲清洗，以免破壞表面。
- 3.鍋身水垢的清除方法，倒入20mL的白醋在發熱盤上浸泡15到20分鐘，再用清水沖洗即可。
- 4.切勿將主機浸入水中，產品外表面僅可用濕毛巾擦拭，不得用水清洗，以免發生漏電及發生故障。
- 5.使用或移動電熱鍋時，需輕拿輕放，嚴禁帶電移動電熱鍋。
- 6.產品長時間不使用時，請清潔乾淨，裝入包裝箱中，置於通風乾燥的地方，以免受潮，影響使用。

產品的收納

- 1.請確保鍋身及主機已放涼。
- 2.將洗乾淨並晾乾的鍋身放於桌面上。
- 3.將主機倒扣入鍋身中，並將上蓋放於主機底蓋上。
- 4.將上蓋的左右扣位扣入卡扣中。



常見問題分析

- 1、開機沒回應，指示燈不亮。
 - a. 是否停電？
 - b. 電源線是否插入插座中？
 - c. 電源線插座是否關閉狀態？

備註：

經以上現象分析後仍無法排除故障，請與本公司維修點或經銷商聯繫，嚴禁非專業人員對本機自行拆裝。

產品規格

型號：GMC5V

電壓：110-220V ~

頻率：50-60Hz

功率：250-500W

容量：1.0公升 (最大)

產品尺寸: 212(W) x 168(H) x 143(D) mm (含鍋身及蓋)

*相關產品的規格，可能會因配件批次或實際使用地區的電壓差異而有所不同。

請記錄下列產品資料

● 型號

● 機身編號

● 經銷商名稱

● 購買日期

本產品不斷改進中，如功能有所更改，恕不另行通知，如有疑問，請與客戶服務中心聯絡，不便之處，敬請原諒。

說明書內容以英文版本為準

ToolBox Customer Service Centre 客戶服務中心：
4/F, DCH Building, 20 Kai Cheung Road, Kowloon Bay, Hong Kong
香港九龍灣啓祥道20號大昌行集團大廈4樓

Customer Service Hotline 客戶服務熱線：(852) 8210 8210

Service E-mail 電郵地址：8210service@gilman-group.com

Please register now at 請即上網登記：www.toolbox.hk

Website 網址：www.gilman-group.com



Proudly Serviced by:



太平家庭電器