



gemini
ITALY

**DUAL VOLTAGE FOLDABLE
TRAVEL KETTLE**

雙電壓摺疊式旅行電水壺

Model NO. 型號 GKT750



A GILMAN GROUP BRAND

IMPORTANT SAFEGUARD

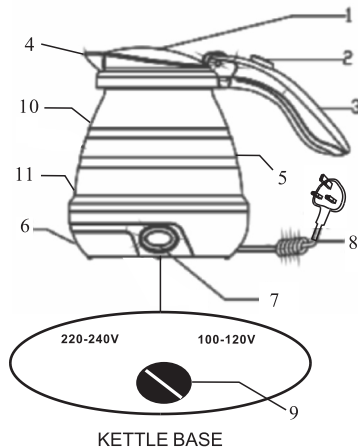
When using this kettle, please follow the below safety precautions:

- 1, Read the instruction carefully before use and keep it well for future reference.
- 2, Before connecting the power, please check the voltage selection at the base of kettle (100-120V or 220-240V) and make sure that your home power supply is consistent with the voltage in the local place. If not, please adjust the correct voltage selection with reference to the INSTRUCTION OF USAGE on page 3 before use.
- 3, Keep this appliance away from Children. Adults should monitor children well enough when using this kettle to prevent potential hurts.
- 4, Please switch the power off and pull out the plug when filling water, pouring out water, cleaning the kettle and do not need to use the kettle.
- 5, Please check the water level indicating lines (Max or Min) on the kettle body carefully when filling water and do not fill over the Max line 0.5L to avoid overflow when boiling.
- 6, To avoid a potential fire risk, please keep this kettle away from those flammable and combustible objects. For example, do not use this kettle on or near appliances with open flame.
- 7, Please keep the power cord away from high temperature objects and sharp objects.
- 8, Please do not pull the power cord as the power cord would be damaged and bring potential electric shock.
- 9, If the cord or plug is damaged or any other parts of the kettle is damaged, please do not repair by yourself. Please do not use this kettle again and contact our after-sales service center for assistance.
- 10, Please carry the kettle with the handle only, do not touch the kettle body after boiled.
- 11, To avoid a potential hurt by steam during operation, please keep the spout away from your face or turn it to the opposite direction of the user.
- 12, When placing on a wooden furniture/table, please add a protective pad at the bottom of the kettle to prevent potential damage on furniture/table.
- 13, Before boiling, please make sure the lid is covered well enough to avoid hot steam leaking out..
- 14, If the lid is opened during heating, please hold a towel or a glove to cover the lid again. Please do not use your hand to do it directly to avoid scalding.
- 15, Please use the handle to move the kettle after water is boiled.
- 16, Do not switch the kettle on when it is empty or fill under the Min indicating line.
- 17, To avoid potential electric shock, please do not put the kettle, the base or the power cord into any kinds of liquid.
- 18, The kettle is only used for boiling water. Please do not boil any other liquid in the kettle as it would be damaged the kettle.
- 19, When the water is boiling, please do not open the lid to avoid being hurt by the hot steam.
- 20, Please clean the kettle regularly as the scales accumulated on the heating plate and inside the kettle will affect the normal operation.

Caution: This kettle has auto-reheat function when the water temperature is below 78℃, the kettle will start re-heating automatically. Please switch the “power off” button and unplug the kettle after boiled, otherwise the kettle will keep reheat function continuously.

MAIN PARTS OF KETTLE

1. LID
2. LID OPEN SWITCH
3. HANDLE
4. SPOUT
5. KETTLE BODY
6. BASE
7. ON/OFF SWITCH
8. POWER CORD WITH PLUG
9. VOLTAGE SELECTION SWITCH
10. MAX WATER LEVEL INDICATION LINE
11. MIN WATER LEVEL INDICATION LINE



INSTRUCTION OF USAGE

1. Switch to the correct voltage range before use:

This kettle has a dual voltage switch function, in Hong Kong, Macau, Europe, Russia and Southeast Asia countries, please select the voltage to 220-240V at the bottom of kettle. In the USA, Japan or Taiwan, please switch the voltage to 100-120V at the bottom of kettle before use.

- (1). Before the first usage, please fill the kettle with clean water to Max indicating line of kettle (0.5L) and plug into the wall socket to start boiling. Discard the water and repeat the steps again.
- (2). The kettle should always be unplugged when filling in water.
- (3). Fill the kettle with water to the desired level. The water indicating line (MAX or MIN) on kettle's body will assist you to measure the correct amount of water.
- (4). Do not fill over the maximum capacity (MAX 0.5L) to prevent overflow during boiling.
- (5). Do not fill less than the lowest capacity (MIN) to prevent the kettle running dry while operating.
- (6). Please make sure that the lid is closed before you turn on the ON/OFF switch.
- (7). An automatic safety cut-off function will be applied while overheat. This function will be operated if the kettle is switched on with insufficient water. Always ensure the water inside the kettle is higher than the minimum indicating (MIN) line. If the automatic safety cut-off has operated, switch the kettle off, disconnect from the power outlet and allow the kettle to cool down for 4 to 5 minutes. Then refill with water and switch the kettle on again, it will work normally.

2. Basic operation:

- (1). After filling in the water, put the kettle on a dry and flat surface, then insert the plug to the wall socket, switch on the ON/OFF switch, then the power indicator light will be on, the kettle starts to work.
- (2). After the water boils, the kettle will stop working automatically, the indicator light will go off. The kettle is still under keeping temperature mode, when water temperature goes below 78°C, it will start the reheat process again. Please turn the ON/OFF switch to off position and unplug the power plug if you do not need the reheat function to be on.
- (3). Make sure the plug is removed when pouring out the water.

Folding Method



1: Extended status for use.



2: Fold in one side of the kettle, following the folding line.
*Avoid pressing with finger nails



3: Follow the folding line around the kettle to fold in the whole rim.

Cleaning and Maintenance

- Make sure the kettle is cool and disconnect from the power supply.
- Wipe the exterior of the kettle with a soft sponge. Remove stubborn spots with a cloth moistened with mild liquid detergent. Do not use abrasive scouring pads or powder. Never immerse the kettle in water or other liquid.
- From time to time, depended on the nature of the supply water, boiled scale deposit may be naturally formed and can be found adhered to the heating element, it will reduce the heating efficiency. The amount of boiled scale deposit is mainly decided by the water hardness in the water supply and the frequency the kettle is used. So if you found that above situation, you could follow the below methods to descale the kettle.

Descaling

It is recommended to descale the kettle regularly. With normal use, at least twice a year.

1. Fill the kettle with a mixture of one part of ordinary vinegar and two parts of water to “Max” indicating line. Switch on the kettle and start boiling.
2. After boiled, keep the mixture inside the kettle for 12 hours.
3. Discard the mixture after 12 hours.
4. Fill the kettle with clean water to “Max” indicating line and boil again.
5. Discard the boiled water, the remaining scale and vinegar are removed and poured out from the kettle.

MODEL NO	GKT750
RATED VOLTAGE	100-120V / 220-240V~
RATED FREQUENCY	50/60Hz
POWER	570-820W / 750W
PRODUCT DIMENSION	203L*129W*152Hmm(unfold) 203L*129W*103Hmm(folded)

重要安全事項

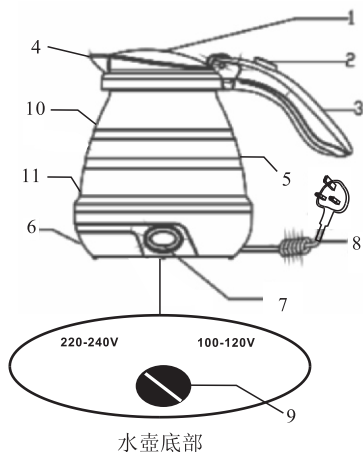
當使用雙電壓電水壺時，必須遵守下列的基本安全事項：

1. 使用前請仔細閱讀此說明書，閱讀後請將說明書保存好以便後續查閱。
2. 在插入電源之前，必須檢查所標電壓（在壺底）是否與使用區域的電壓一致，如果不一致，需按第 6 頁的使用說明部分，將底部電壓調節至對應位置，方可進行使用。
3. 將本產品放置在小孩接觸不到之處，使用時如旁邊有小孩，成人必須嚴加監管防止小孩接觸水壺。
4. 在裝水、倒水、清洗機身及不需使用的時候應關掉開關並拔除電源。
5. 裝水時請注意觀察壺身外的水位標示，請勿超出最高水位線（Max 0.5L），以防沸騰時溢出引致傷害。
6. 爲了避免起火，請不要在易爆物或易燃物前面使用。例如：不要將本產品置於或放在煤氣灶、電爐等產品附近使用。
7. 電源線不可以接觸到高溫的物體，也不可以放置在鋒利的地方。
8. 請勿用力拉電源線，因爲這樣會損壞電源線而導致觸電。
9. 如果電源線或插頭有損壞，或者產品的任何一個部分有損壞，請勿自行修理，請將此產品送往維修中心檢查，否則不能使用此產品。
10. 爲避免接觸熱的水壺表面，請用手柄或把手移動。
11. 爲避免可能的蒸汽霧出，使用前將壺嘴轉向人體外側另一方避免傷害。
12. 如在木傢俱上面使用，請墊一塊保護墊，以免損壞傢俱表面。
13. 爲避免燙傷，在使用前，請務必確保蓋子正確及完全蓋穩。
14. 煲水時，如蓋子移動，請借助其他工具如毛巾，重新放置好蓋子。請避免用手對蓋子進行操作，以免導致燙傷。
15. 熱水煲滾後，如需移動水壺時請必須使用手柄。
16. 水壺未裝水時，請勿開啓開關按鈕及連接電源。
17. 爲了防止煲水觸電，不要將水壺、底座或電源線浸於任何液體。
18. 除了煲水之外，水壺不能用於其他目的。其他液體或食物會污染或破壞電水壺內部。
19. 在開始煲水時或煲水完畢後或燒開後較短時間內，請不要按下開蓋按鍵，避免水蒸氣燙傷您的手。
20. 請定期清洗壺底的水垢或殘留物，因爲這可能會影響產品的正常使用。

特別注意事項：本電水壺具有自動翻煲功能，如不需要這個功能，請在水煲滾後及時關掉開/關按鈕電源，避免反覆翻煲食水。

主要零件

1. 壺蓋
2. 壺蓋打開按鈕
3. 手柄
4. 壺咀
5. 壺身
6. 底座
7. 開/關按鈕
8. 電源線
9. 轉換電壓掣
10. 最高水位指示線
11. 最低水位指示線



使用說明

1. 使用電水壺前的準備工作：

該電水壺具有雙電壓轉換功能，全球通用。

在香港本地、澳門、歐洲、俄羅斯和東南亞等國家地區，需要在水壺底部的電壓切換到 220-240V 位置才可使用。

在美國、日本、臺灣等國家/地區，需要在水壺底部的電壓切換至 100-120V 位置才可使用。

- (1). 第一次使用之前，裝入乾淨的水至壺身標示的最大容量並開始煲水，倒掉煲滾的水，然後重新開始加水正式煲水飲用。
- (2). 裝水或加水之前，電源插頭不要接駁。
- (3). 裝水到自己理想的水位或最高水位線 (Max 0.5L)，水位線的標示有助於測量所需的水。
- (4). 裝水不可超過壺身標示的最高水位線(即 MAX 0.5L)，以免煲水過程會有溢出或濺出的危險。
- (5). 裝水不可少於壺身標示的最低水位線(即 MIN)，以免使用時乾燒情況出現。
- (6). 裝完水後，必須蓋好蓋子方可按下開關按鈕進行煲水。
- (7). 為了保障安全，本產品已安裝了無水乾燒自動切斷電源裝置，當水壺處於乾燒狀態時，此裝置會自動切斷電源，如果裝置啟動了，應關掉開關按鈕，拔出電源，將水壺冷卻 5 至 10 分鐘，然後再裝水重新開始正常使用。

2. 基本操作：

- (1). 裝完水後，請將底座置於乾燥、平坦的平面，將插頭插入牆身電源，按下開關按鈕。此時開關按鈕上的指示燈亮，表示電水壺開始工作。
- (2). 水滾後，水壺自動停止工作，指示燈熄滅；但是水壺目前處於保溫狀態。若水溫降低至 78 攝氏度左右時，水壺會啟動自動翻煲功能。如果需要停止工作，請關掉電源開關按鈕；再拔掉電源插頭。
- (3). 倒水時，需拔掉電源插頭。

摺疊方法展示圖



一：展開時



二：按水壺上的摺紋
先摺入一邊
*避免以指甲用力按下



三：再圍繞摺紋摺
入一整圈

如何保養水壺

- 在清潔水壺前請拔掉主電源插頭及讓水壺完全冷卻。
- 請用柔軟的海綿擦抹水壺外部，去除頑固污漬。然後採用一塊布，放上柔和的洗滌劑，不要使用磨性的清潔布，切勿將水壺浸於水中或其他液體裡。
- 隨著使用時間增加，可能會因自來水的質量，電水壺內部會累積一層水垢，這會降低煮沸效率，使煲水的時間延長，水垢的多少取決於水質的硬度和水壺使用頻率，如有上述情況，可參考以下方法進行定期的去垢處理。

清洗水垢的方法

正常使用下，一般最少一年要清潔兩次去垢，具體方法如下：

1. 以 1 : 2 的比例將日常食用醋與水混合，裝滿水壺（最高水位線）開始煲水，並等待水壺煲滾後，然後按一下開/關按鈕關掉操作。
2. 將此混合物保留 12 小時。
3. 將此混合物倒掉。
4. 裝入清潔的水至最高水位線，重新啟動煲水功能。
5. 倒掉已煲滾的水，這樣就去除了剩餘的水垢和混合物，完成清洗程序。

產品型號	GKT750
雙電壓標示	100-120V / 220-240V
頻率	50/60Hz
功率	570-820W / 750W
產品尺寸	203 長 X 129 闊 X 152 高 毫米 (壺身) 203 長 X 129 闊 X 103 高 毫米 (摺疊壺身)

請記錄下列產品資料

- 型號 _____
- 機身編號 _____
- 經銷商名稱 _____
- 購買日期 _____

本產品不斷改進中，如功能有所更改，恕不另行通知，如有疑問，請與客戶服務中心聯絡，不便之處，敬請原諒。

說明書內容以英文版本為準

ToolBox Customer Service Centre 客戶服務中心：

7/F., Goodwill Industrial Building, 36-44 Pak Tin Par Street, Tsuen Wan, N. T.
新界荃灣白田壩街36-44號信義工業大廈7樓

Customer Service Hotline 客戶服務熱線：(852) 8210 8210
Service E-mail 電郵地址：8210service@gilman-group.com
Please register now at 請即上網登記：www.toolbox.hk
Website 網址：www.gilman-group.com



Proudly Serviced by:



太平家庭電器

2/F, Shing Dao Industrial Building, 232 Aberdeen Main Road, Hong Kong
香港香港仔大道232號城都工業大廈2樓