

GCH70S

ENVIRONMENT OF OPERATION:

This appliance is designed for home or indoor environment and not for commercial use.

PRECAUTIONS:

Please read this instruction manual carefully before installation.

During the installation, power supply must be disconnected.

1. The installation should be carried out by a qualified technician.
2. Air ventilation inside kitchen must be maintained in good condition when range hood is used.
3. Do not put flame on the range hood. Please turn on hood before turning on the hob.
4. Repair service including replacement of main cord should only be carried out by a qualified electrician.
5. All process should follow the instructions as stated in this manual, could not change or move parts against instruction to avoid danger or damage.
6. In case of lamp broken, please disconnect the power before change. Release the whole bottom damper to change the old lamp. Maximum power is 40W fluorescent lamp.
7. If the supply cord is damaged, it must be replaced by the manufacturer, its service agent or similarly qualified persons in order to avoid a hazard.
8. In case of changes in technical specification, there would be no prior notice.

INSTALLATION:

This appliance must be earthed. Installation must be carried out only when power supply is disconnected.

1. Unpack Carton
2. The installation height is measured vertically from the bottom of the hood to the top of stove. The height should be at least 650mm and the best recommended height is 650-800mm , avoid left-right or up-down inclination.

3. The range hood should be firmly mounted on the wall (wall mounted installation method). This can be done by drilling two holes on the appropriated position of the wall and install the expandable rubber plug into the holes . Then tightening up the self-tapping screws into the rubber plug by 4/5 in depth.

4. Loose the screws a bit at the hood hanging board don't remove screws and pull the hanging board all the way up then tightening up the screws again .

5. Please install the hood by using the hanging board tag onto the self-tapping screws which mounted on the wall and adjust the hood level then fixing the screws.

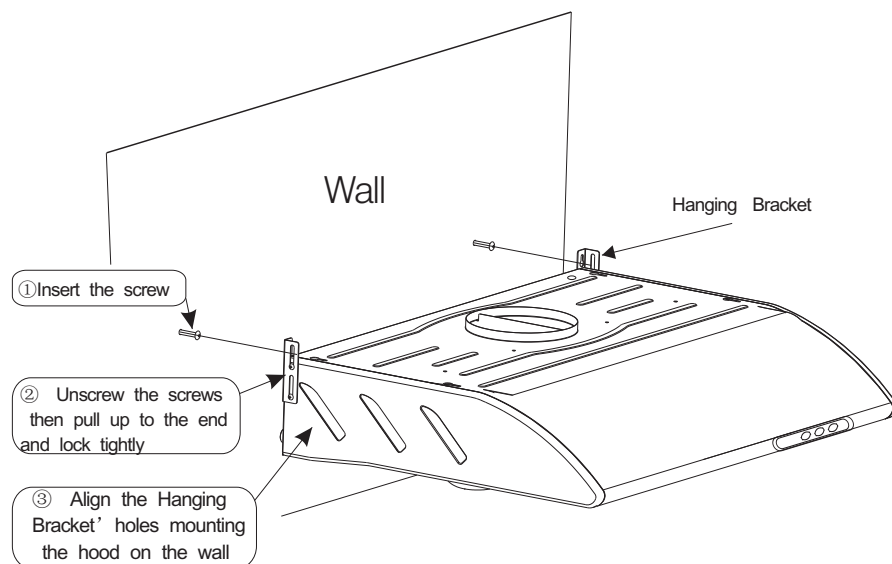
6. The range hood can install under the kitchen cabinet by using screws to fix at the bottom of the cabinet . Besides , the exhaust duct has to be installed through the cabinet to the outside of the window. (Cabinet mounted type)

7. 6 inches diameter exhaust duct is recommended to use in order to maximize suction efficiency. Bend of exhaust duct should be greater than 90°, to keep exhaust smooth. To increase the efficiency of hood , the length of exhaust duct should be face down with downward and avoid acute turns.

8. The air must not be discharged into the flue that is used for exhausting fumes from appliances burning gas or other fuels (not applicable to appliances that only discharge the air back into the room) , regulations concerning the discharge of air have to be fulfilled.

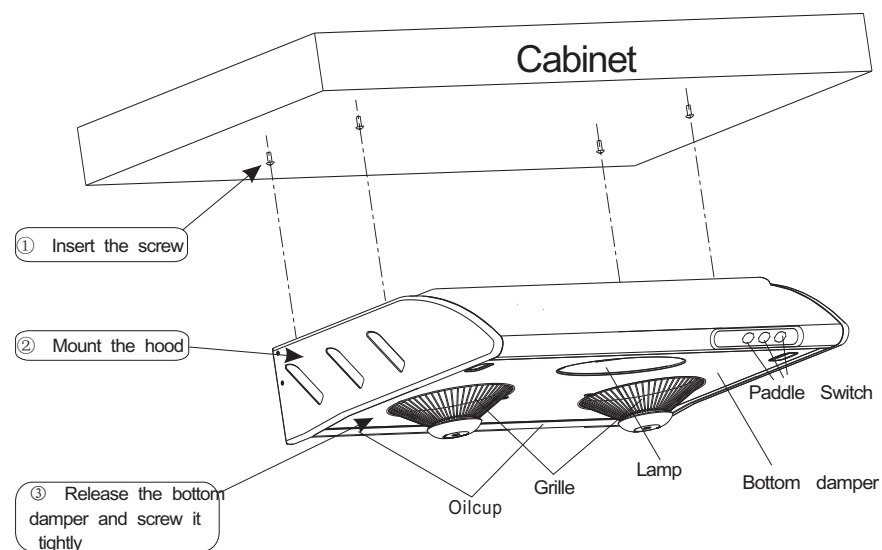
9. Check the voltage on the rating label which should match the national or local code.

Wall Mounting Instruction



2

Built-under Instruction



FUNCTION:

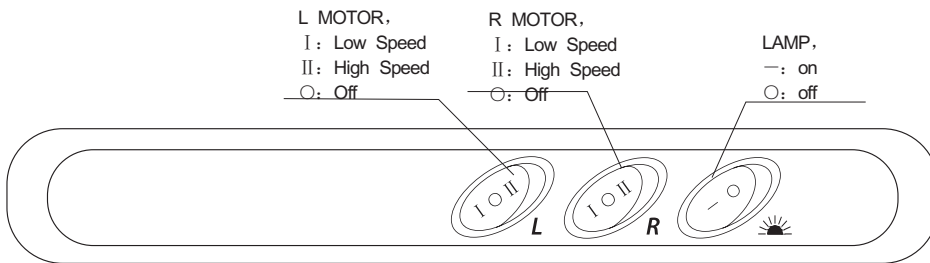
1. The Paddle switch design has stable function, reliable safety and long lifetime.
2. Left and right Blower Wheel work separately and at one time; 2-fan speed control to suit different types of cooking.
3. The Strong Suction Design effectively drain the oil and smoke entirely; The newly designed oil collecting device in 15° drain the oil to the oil cup.

Operation:

1. “☀” Button
※ Press The lamp button for the on / off
2. “L” and “R” Button

3

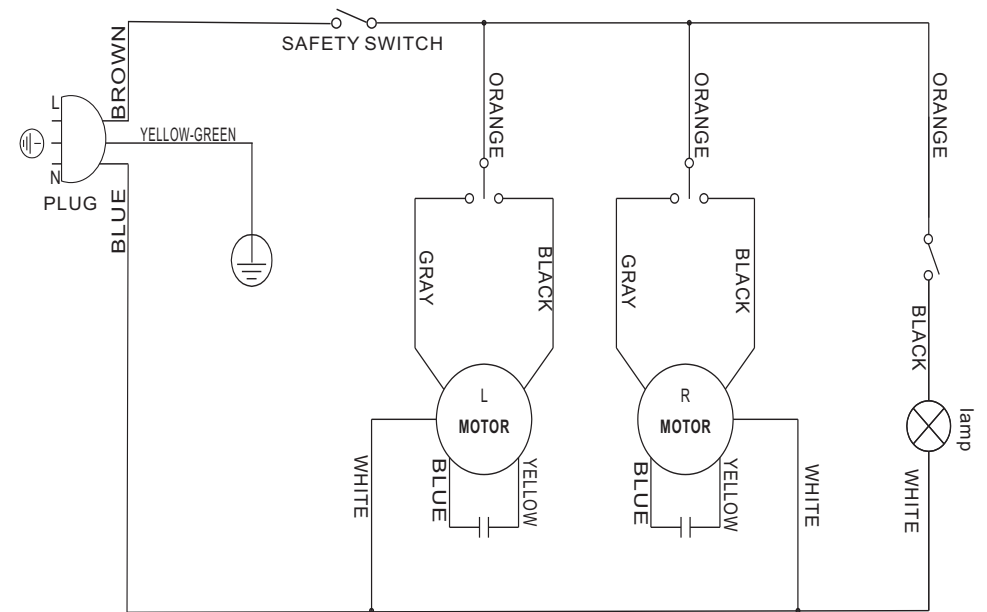
“L” and “R” control the left and right motor separately; “L、R” is left motor control button and right motor control button “ I ” is the low speed; “ II ” is the high speed; “ O ” is off.
Adjust the fan speed “ I ” or “ II ” according to your requirements.



MAINTENANCE:

- ▲ **Caution: Always disconnect the machine from the power supply before cleaning.**
- 1. Please clean your hood regularly, do not use abrasive cleaner. Always clean the oil cups and retainers by detaching or turning in anti-clockwise and re-install, to prevent oil spillage and prolong the life of the hood.
- 2. After each operation, please wipe the machine with a dry cloth or a wet cloth.
- 3. Must use foamless hood cleaner for cleaning process to avoid damage to the hood. Dilute the hood cleaner with water for cleaning. (We recommend water to cleaner=20:1)
- 4. Do not distort the exhaust fan, do not use abrasive cleaner.

WIRING DIAGRAM:

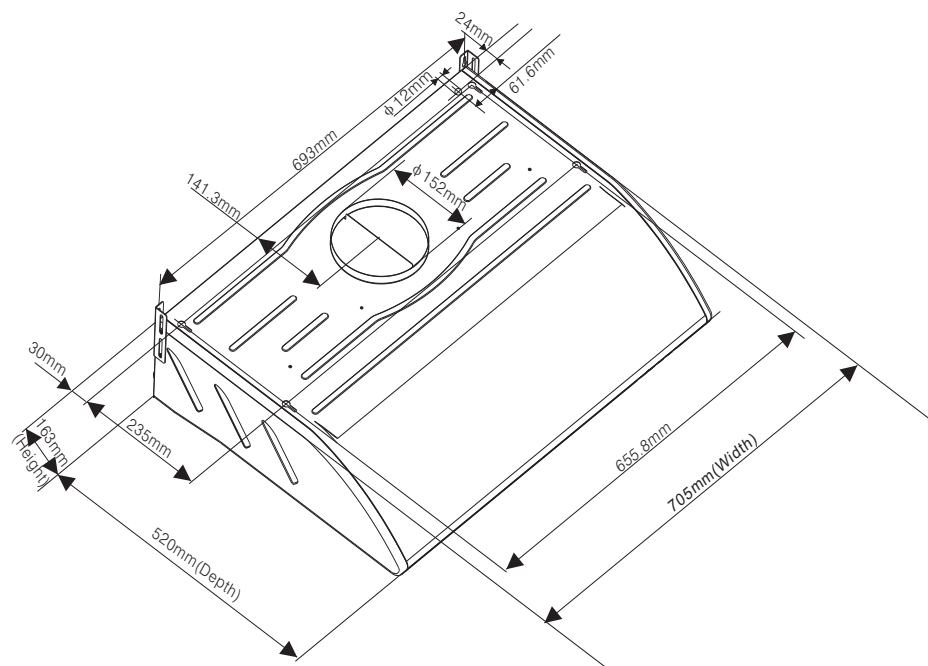


PERFORMANCE AND DIMENSIONS:

MODEL	RATED VOLTAGE	RATED FREQUENCY	MOTOR WATTS	LAMP WATTS MAX.	DIMENSION (mm)
GCH70S	220V-240V~	50Hz	65W×2	40W	W705 × D520 × H163

▲SPECIFICATIONS MAY CHANGE WITHOUT PRIOR NOTICE.

MOUNTING DIMENSIONS DIAGRAM



Attention:

- Must use only foamless cookerhood cleaner for cleaning (cold tap water & cleaner =20:1).
- Please remove all utensils and food from stove before cleaning process starts.
- Installation must be carried out by a qualified technician.
- Must disconnect power supply before dismantling for cleaning (this machine is equipped with automatic cut off device when the damper of the machine is removed).
- Remember to turn on the cookerhood before turning on the hob to avoid overheating the hood.

3

適用環境:

本產品適用於一般家居室內或類似室內環境，不適用於商業用途。

注意:

▲ 安裝前須詳細閱讀說明書，按照要求進行安裝，檢查確認安裝無誤後，才可接通電源，試按各按鈕操作正常後才可使用。

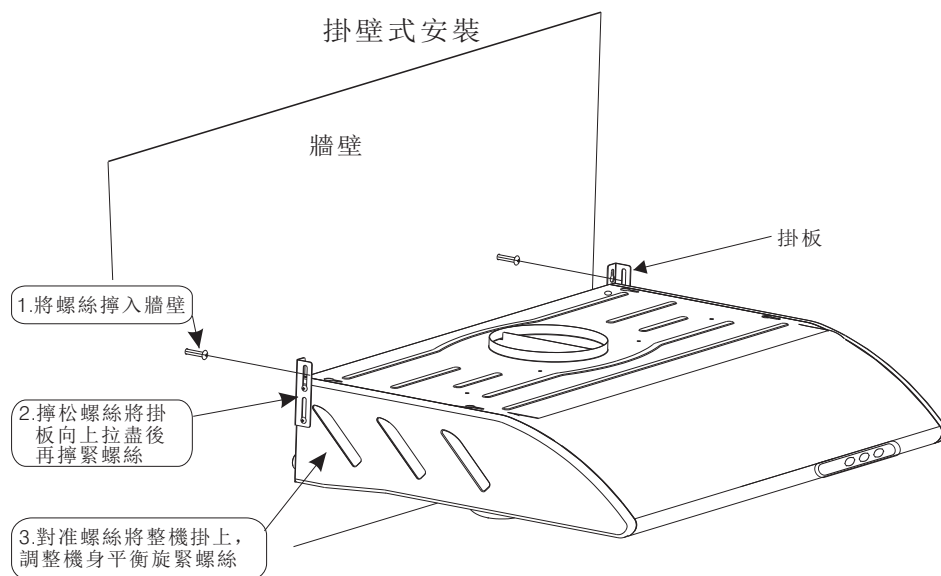
1. 抽油煙機必須由專業人員安裝。
2. 當煮食使用抽油煙機時，必須有足夠的通風設備。
3. 禁止爐火直接烘烤抽油煙機。請先開抽油煙機再開煮食爐。
4. 如發現抽油煙機出現異常現象，必須立即切斷電源，並由專業人員進行檢修，恢復正常後才能繼續使用，切勿在出現異常現象後繼續通電，以確保安全。
5. 切勿擅自調換任何零件，及隨便改變各零件的安裝狀態。
6. 如出現照明燈不亮但電機能正常轉動時，可能是照明燈損壞，應即時截斷電源，然後換上正常之照明燈，請將本機之底板卸下，把舊照明燈拆出，換上新照明燈。照明燈最大功率為40W。
7. 如果電源線被損壞，必須由生產商，其服務代理或專業人士替換，以避免危險。
8. 產品如有技術上之更改，恕不另行通知。

安裝:

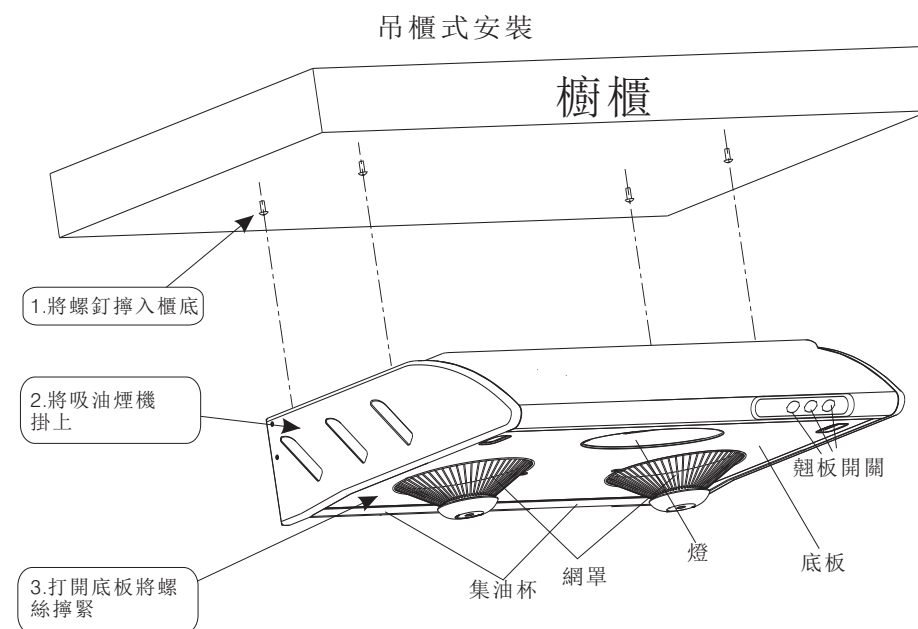
▲ 安裝時必須切斷電源，本機備有接地安全裝置。

1. 拆除包裝。
2. 抽油煙機最低部位與煮食爐具的表面適當距離最少為650mm，最理想距離650~800mm，安裝時必須左右平衡。

- 抽油煙機應牢固地安裝牆壁上(掛壁式安裝)，安裝時用電鑽在適合的位置上鑽2個孔，然後將膨脹膠塞全部打入牆內，並將自攻螺絲擰入五分之四。
- 將機身的掛板螺絲稍為擰松(不要拆出螺絲)，向上拉盡掛板後再將螺絲重新收緊。
- 掛板固定孔對準牆上螺絲將整機掛上，然後調整機身平衡旋緊螺絲。
- 本機亦可安裝於櫥櫃底下，可用螺絲把機身收緊於櫃底，而排氣喉應穿過櫥櫃通向窗外。(吊櫃式安裝)
- 在出風口套上6"排氣喉，排氣喉排列應儘量平直，排氣喉的彎應大於90°，以保持排氣順暢。室外排氣管口應向下傾斜，以防雨水倒流而損壞抽油煙機。
- 抽油煙機排出的氣體不應排到用於排出燃燒煤氣或其他燃料熱煙道中。
- 使用前先校對抽油煙機銘牌的額定電壓應與使用電壓相符，選



2



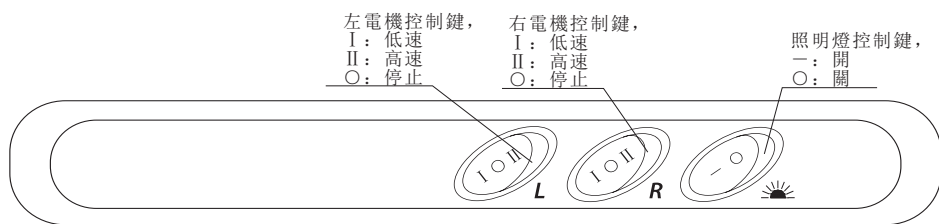
主要功能：

- 機械翹板式開關，性能穩定，安全可靠，使用壽命長。
- 左右風輪獨立式設計，可單獨控制或同時開啟，左右電機各設有兩個轉速可任意調節以配合不同煮食程式。
- 特強吸力設計，將油煙儘快順利排出，最新“聚油”回集裝置、集油效果顯著，機身與牆壁傾斜15°，油污自然順暢徹底流入油杯。

操作：

- 按“☀”鍵控制照明燈的開關。
- 按“L、R”任意一鍵或同時按下，即可啟動吸油煙機。“L、R”分別為左電機控制鍵和右電機控制鍵，“I”為低速，“II”為高速，“O”為停止鍵。使用過程中，根據需要可

3

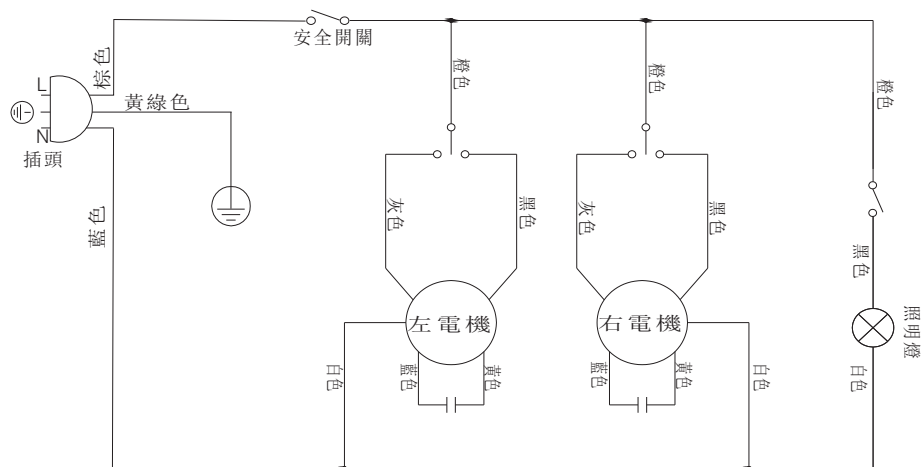


以隨意切換速度。

維修保養:

▲ 拆卸清洗前, 必須切斷電源。

1. 用戶應按時清除油杯積油, 保持機身表面、風網及風輪的清潔, 可延長機身及機件之壽命。油杯外表面和風網的清洗週期, 請用戶根據使用時間決定。
2. 清洗機身外表時用軟布沾清洗劑抹拭後, 再用乾淨軟布抹幹。
3. 必須使用無泡抽油煙機專用清潔劑清潔本抽油煙機 (水及清潔劑為20:1)
4. 切勿碰壓或改變風輪扇翼的角度, 切忌用汽油或其他化學物品拭擦。

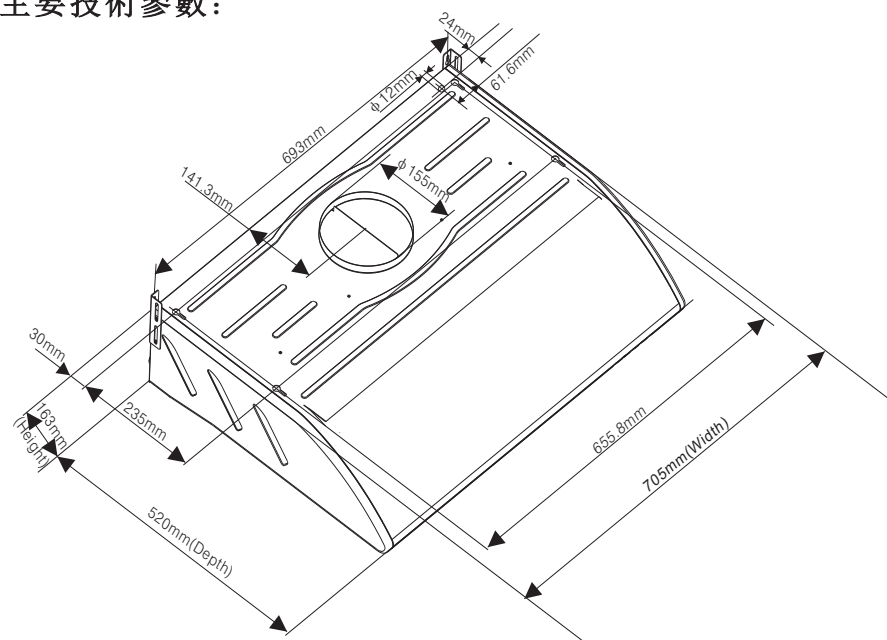


電氣原理圖:

型號	額定電壓	額定頻率	電機功率	最大照明功率	外形尺寸(mm)
GCH70S	220V-240V~	50Hz	65W×2	40W	W705 × D520 × H163

▲ 規格如有更改恕不另行通知

主要技術參數:



注意:

- 必須使用抽油煙機專用無泡清潔劑清洗本機 (水及清潔劑比例20:1)。
- 清洗時必須把爐灶上的食物及煮食用具移開。

- 必須由專業人員安裝。
- 拆卸任何零件清洗前必須脫離電源（本機已設有拆卸底板後自動斷電之安全裝置）。
- 請開啟抽油煙機後才開啟煮食爐。

注意 NOTE

請記錄下列產品資料

- 型號 _____
- 機身編號 _____
- 經銷商名稱 _____
- 購買日期 _____

本產品不斷改進中，如功能有所更改，恕不另行通知，如有疑問，請與客戶服務中心聯絡，不便之處，敬請原諒。

說明書內容以英文版本為準

ToolBox Customer Service Centre 客戶服務中心：

7/F., Goodwill Industrial Building, 36-44 Pak Tin Par Street, Tsuen Wan, N.T.
新界荃灣白田壩街36-44號信義工業大廈7樓

Customer Service Hotline 客戶服務熱線：(852) 8210 8210
Service E-mail 電郵地址：8210service@gilman-group.com
Please register now at 請即上網登記：www.toolbox.hk
Website 網址：www.gilman-group.com



© Gilman Group Company