



gemini
ITALY

3-IN-1 ELECTRIC BBQ GRILLER

3 合 1 電 子 BBQ 燒 烤 爐

MODEL NO. 型號: GBG900V



A GILMAN GROUP BRAND

INSTRUCTIONS FOR USE

This appliance is intended for household use only and should not be used for commercial purposes.

Please READ THIS INSTRUCTION MANUAL carefully before using the appliance and KEEP THIS INSTRUCTION MANUAL in a safe place for future reference.

IMPORTANT SAFEGUARDS

- Check that your main voltage corresponds to that stated on the appliance rating plate.
- Should the power cord be damaged, it must be replaced by our after-sale service centre.
- Keep children away from the appliance.
- Never leave the appliance unattended while it is powered on.
- Only use the appliance in the way indicated in these instructions.
- Unplug the appliance after use, or in the event of a fault.
- From time to time check the power cord if any damage. Do not use the appliance if either the main lead or the appliance itself shows signs of damage.
- Never immerse the appliance in water or any other liquid.
- Never place the entire appliance into the dishwasher.
- Repair the appliance, such as replacing a damaged main lead, should only be carried out by our qualified technician to avoid potential danger.
- Do not allow the main lead to touch anything hot and do not pull it across sharp edges.
- Do not move the appliance by pulling the power cord. Make sure the power cord cannot get caught in any way. Do not wind the cord around the appliance and do not bend it.

Make sure the appliance is unplugged when disassembling it before cleaning.



CAUTION - Please do not touch surface while in use.

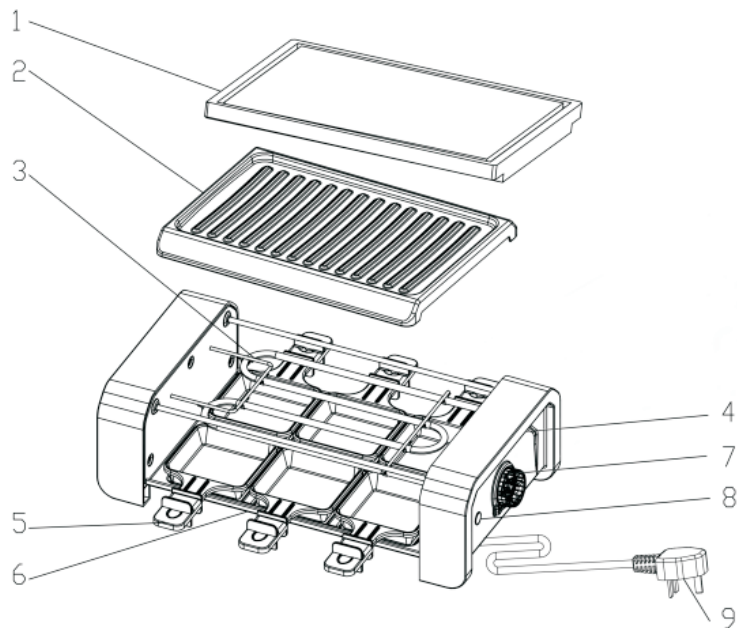
The accessible surface may get hot when the appliance is operating.

CAUTION!

- This appliance is not intended for use by children or other persons without assistance or supervision if their physical, sensory or mental capabilities prevent them from using it safely, children should be supervised to ensure that they do not play with the appliance. Children should be supervised to ensure that they do not play with the appliance.
- Keep the appliance and its cord out of reach by children.
- If the supply cord is damaged, it must be replaced by qualified person in order to avoid a hazard. Please contact our after-sales service to check and repair.
- **WARNING: Charcoal or similar combustible fuels must not be used with this appliance.**
- The instructions shall state that appliances are not intended to be operated by means of an external timer or separate remote-control system.
- **WARNING:** In order to avoid overheating, this appliance shall not be covered by any solid or flammable material such as an aluminum tray, aluminum foil or trays made of other heat resistant material. The use of such items or materials on the grille would impair the safety of your product and could lead to serious damage.

MAIN PARTS OF BBQ GRILLER

1. Natural marble plate
2. Frying plate
3. Heating element (spiral filament)
4. Handle
5. Removable small pans (total 6pcs)
6. Bottom plate
7. Power and Thermostat control knob
8. Power indicator light
9. Power cord and plug



WORKING ENVIRONMENT

- The appliance should be placed on a level, stable and clean surface while it is in use.
- Keep this appliance clean at all times as it comes into direct contact with food.

ASSEMBLE AND DISASSEMBLE THE 3-IN-1 ELECTRIC BBQ GRILLER

- The barbecue grill is suitable for household purpose. It can be connected with power supply and features easy transportation and convenient operation. Please pay attention to the following before using:
 - Assure correct power supply (220-240V). The socket shall be designed for 900W.
 - First unpack the package.
 - Put either the marble or frying plate on top of the main machine.
 - Never use the marble and frying plate at same time
 - Put the 6 small pans on the bottom plate
 - Place the appliance on a hard and level surface before power is switched on.

HOW TO PLACE FOOD AND OPERATE THE BBQ GRILLER

- In order to make convenience for using the barbecue grill, either a marble plate or a frying plate shall be installed on top of the heating element for two different cooking purpose. Please see the diagram “MAIN PARTS OF BBQ GRILLER”
- Foods can be directly placed either on the marble plate or frying plate and foods should be placed in the middle of heating area. Remember not to cover the marble plate with plastic or metal film.
- Insert the power plug into power socket, turn on the power and adjust the thermostat control knob, then the power indicator will light up. The heating temperature can be adjusted from MIN to MAX.
- Lighting of the indicator indicates that heating process is started, the light will be off when the thermostat control knob switch to OFF position.
- Please unplug the appliance from the socket after use.
- The appliance can be used for grilling sausage, fish and so on. It is not allowed to grill with such inflammable materials as charcoal and wood.
- During heating process, the power indicator light will be on and off automatically. Because this BBQ griller has the thermostatic control system.
- For first time operation, there will have some smoke or smell. This situation happens properly. Do not worry and it is normal.
- If the appliances shows any abnormalities, unplug the power plug immediately.

CLEANING & MAINTANCE

- Unplug the appliance from the socket, make sure the thermostat control knob is set at “OFF” position, cool down the appliance completing before cleaning.
- Remove the marble plate, frying plate and small pans before cleaning, wash them with hot water, some detergent and a non-abrasive sponge.
- Manually wash the exterior of the appliance with a moist cloth (do not clean with any cleaner). Do not clean the appliance with abrasive cleaner to avoid scratches the main machine.
- Do not immerse the plug, power cord, heating elements in any liquid. They can only be wiped with dry fabric.

TECHNICAL DATA

Rated voltage: AC 220-240V ~

Rated frequency: 50/60Hz

Rated power: 900W

Product dimension: 395W x 125H x 215D mm

使用說明

本產品只可以作家庭用途，不可作商業用途

使用本產品前請先詳閱說明書，閱讀後請保存以便日後使用

重要安全事項

- 請檢查電源和本產品銘牌上標示的電壓是一樣
- 如果電源線有損壞，必須由合資格人事維修
- 不可給兒童接觸本產品
- 本產品開著後不可以獨留不顧
- 只可以依本說明書的方法使用
- 使用後或本產品損壞時，必須立即拔去電源
- 經常檢查電源線是否損壞，如發現本產品有任何損壞都不應使用
- 本產品不可以浸入水或其他液體中
- 本產品不可以放入洗碗碟機
- 本產品的維修，包括更換電源線，請聯絡本司的客戶服務中心維修以免有潛在危險
- 電源線不可以接觸到高溫的物體，也不可以在鋒利的地方經過
- 移動本產品時不可以只拉電源線，確保電源線不可以被拉到，電源線不可以繞在本產品上，也不可以摺電源線

在移開配件進行清洗前，必須拔去電源



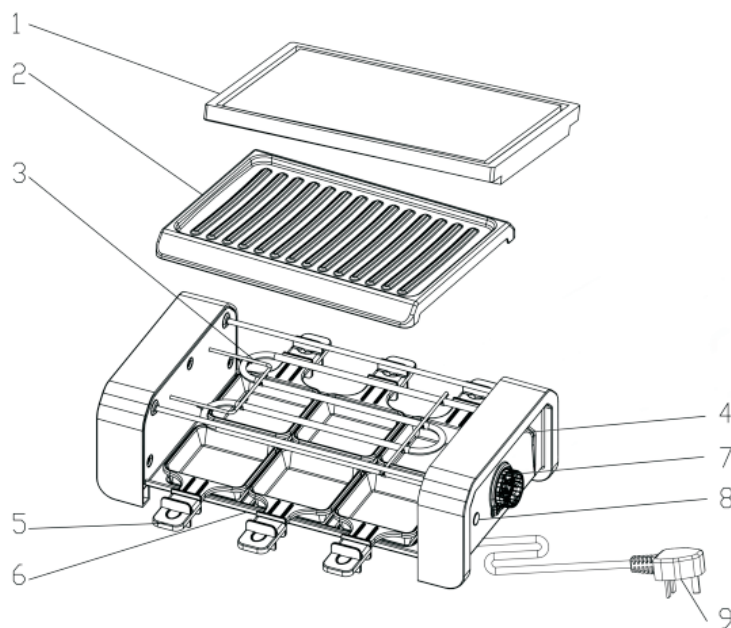
注意 - 使用本產品時不要接觸其表面，因為使用時的表面有可能被燙傷

注意事項：

- 兒童或任何人仕如身體、感官或心智能力等較弱而須有別人從旁協助使用該產品，均不適合單獨使用此燒烤爐。應督促兒童不可玩此燒烤爐。
- 不可讓兒童接觸到本產品和電源線。
- 如果電源線損壞，必須由本司售後服務部人仕維修，以免發生危險。請與我們的售後服務部聯絡進行檢查。
- 警告：炭或類似的易燃物品不可以在本產品上使用。
- 本產品不可以連接外置的時間制或遙控器使用。
- 警告：本產品不可以被任何物件覆蓋下進行操作，包括膠蓋、鋁盆、錫紙或任何耐熱的盆蓋，以免影響本產品的安全及造成危險。

主要零件

1. 天然大理石板
2. 煎盤
3. 發熱管（彎曲的）
4. 主機把手
5. 小烤碟（共 6 個）
6. 底板
7. 旋鈕式開關及火力調節
8. 電源指示燈
9. 電源線和插頭



使用環境

- 本產品需要在平坦、穩定和清潔的表面使用
- 請保持本產品清潔，因為本產品可能直接接觸食物

組裝和拆除

- 本產品適合在家裏使用，它可以接電源和方便運送和使用，電源電壓需正確
- 確認電源電壓正確(220-240V)，插座可以承受 900 瓦功率
- 先把包裝移除
- 石板和煎盤放置在發熱管上的爐面上
- 注意不能同時使用石板和煎盤 (請參閱“主要零件 ”)
- 6 個小烤碟放置在底板上
- 本產品需要放在硬和平坦的表面，才可以開啟本產品

如何放置食物在燒烤爐上及操作方法

- 可選用石板或煎盤工具放在燒烤爐面上進行燒烤或煎煮兩種用法。
- 然後直接擺放食物於石板或煎盤上，食物須放置於加熱範圍的中央。
- 不可以用膠類或金屬類物料用具把烤爐蓋上。
- 將電源線的插頭插於插座上，順時針開啟電源開關後，電源指示燈會亮起。亦可調較加熱溫度由低溫（MIN）至最高溫（MAX）的範圍。
- 電源指示燈亮起即表示加熱程序已經開始。當旋鈕調較到“OFF”位置時，電源指示燈會熄滅。
- 為了安全，使用後請從插座上拔除電源插頭。
- 本產品可以用來烤腸仔、魚或肉類等，但不可以放入炭或木頭於燒烤爐內，需直接把食物放在石板或煎盤上加熱和放在小烤碟上烘燴。
- 在加熱過程中，指示燈會自動閃爍，因為產品有過熱保護裝置，有自動斷復位功能。
- 第一次使用，會有少許白煙和異味。請不必擔心，這是正常現象。
- 如產品出現異常現象，請立即關掉產品，拔掉插頭。

清潔及保養

- 清潔前，請把開關旋鈕調回“OFF”關機位置。
- 把插頭拔除，待烤爐冷卻方可進行清洗。
- 把石板、煎盤和小烤碟移除，使用一些洗滌劑和海綿，用熱水清洗配件。
- 用濕布抹擦產品表面（不可用清潔劑），不可用有研磨性的清潔劑抹擦，以免弄花產品表面。
- 插頭、電源線和發熱管都不能放入水或液體中，只可以用乾布清潔。

規格

電壓：AC 220-240V ~

頻率：50/60Hz

功率：900 瓦

產品尺寸：395 闊 x 125 高 x 215 深 毫米

請記錄下列產品資料

● 型號

● 機身編號

● 經銷商名稱

● 購買日期

本產品不斷改進中，如功能有所更改，恕不另行通知，如有疑問，請與客戶服務中心聯絡，不便之處，敬請原諒。

說明書內容以英文版本為準

ToolBox Customer Service Centre 客戶服務中心：

7/F., Goodwill Industrial Building, 36-44 Pak Tin Par Street, Tsuen Wan, N.T.
新界荃灣白田壩街36-44號信義工業大廈7樓

Customer Service Hotline 客戶服務熱線：(852) 8210 8210

Service E-mail 電郵地址：8210service@gilman-group.com

Please register now at 請即上網登記：www.toolbox.hk

Website 網址：www.gilman-group.com

Proudly Serviced by:



太平家庭電器

2/F, Shing Dao Industrial Building, 232 Aberdeen Main Road, Hong Kong
香港香港仔大道232號城都工業大廈2樓