

**Brandt**  
Whatever today brings



Collection • BUILT-IN

## BUILT-IN CATALOGUE



2/F., Shing Dao Industrial Building,  
232 Aberdeen Main Road, HK.  
香港仔大道232號城都工業大廈2樓  
General Line 查詢電話: 2418 3222  
www.gilman-group.com

Proudly Serviced by:



a Gilman Group Company

7/F., Goodwill Industrial Building,  
36-44 Pak Tin Par Street, Tsuen Wan, HK  
香港荃灣白田壩街36-44號信義工業大廈7樓  
Customer Service Hotline 客戶服務專線: 8210 8210  
www.ToolBox.hk

BRBI201802

**Brandt** *BBB*

**175**  
th  
ANNIVERSARY

 **Gilman**  
since 1841



## BRANDT BUILT-IN COLLECTION FROM FRANCE

Brandt has once again, developed a full range of built-in appliances with its technological know-how and new innovations to offer you the best.

The all new Brandt built-in collection epitomizes practicality, safety, comfort and functional elegance. Looking forward to a heart-warming home cooked meal with little or no efforts? Brandt makes it easy!

### 法國白朗 嵌入式家電系列

白朗全新嵌入式家電系列再一次帶來驚喜。揉合法國尖端科技及創新意念，簡單實用、安全可靠、輕鬆舒適、卓越功能，將最好的一切呈獻給懂得享受的您！家中一桌溫馨洋溢的饌菜，得來全不費功夫？白朗，讓生活變得更寫意！



**BUILT-IN** 5-30



■ Ovens	05
■ Steam Ovens	11
■ Combi/Microwave Ovens	13
■ Induction Hobs	17
■ Gas Hobs	23
■ Hoods	27



**INSTALLATION GUIDE** 31-37



■ Ovens	31
■ Steam Ovens	32
■ Combi/Microwave Ovens	33
■ Induction Hobs	34
■ Gas Hobs	36
■ Hoods	37

## OVENS 焗爐

### Design, Functionality and Performance 設計、實用性及效能 集於一身

This Collection is marked by Brandt's passion for design, research and rigorous attention to detail. Sleek and refined, the seamless melding of glass to metal and the clean, sophisticated lines thrill aesthetic sensibilities.

全新焗爐系列融合了白朗對設計、研究及嚴格注重細節的一貫熱誠。產品融合玻璃及金屬物料，盡顯時尚優雅，而簡潔俐落的線條則體現了品牌美學。





## LARGE SPACE - OPTIMAL VOLUME OF 73 LITRES 73公升特大容量

A larger oven cavity enables you to cook great and many dishes. Stack your dishes over six levels and maximise cooking space!

特大的焗爐容量助你烹調更多美味佳餚。食物可以隨時放置於六層位置上，令烹調空間提升至最高！



## QUATTRO PULSE - TASTE THE DIFFERENCE 四面環迴熱風對流： 吃得出的不同

Brandt reinvents convection cooking with new heat diffusion technology! Injection of heated air into the cavity has been accelerated for uniform temperature all around the cavity to ensure all cooking quality on all levels is perfectly consistent for excellent results, every time.

白朗使用全新四面環迴傳熱技術，重新定義對流煮食！由於將熱氣注入焗爐內部的速度提升，令焗爐內部溫度更平均，確保每層煮食效果一致，每次都能烤出絕佳美味。



## AN INTUITIVE AND SIMPLE INTERFACE 直接又簡約的操作介面

Cooking modes and programme feedback are displayed against a white backlight and are selected via sensitive touch controls. Electronic programming ensures precise temperature control in every function.

不同烹調程式及程序以白光清晰顯示，可以輕按感應的觸控介面作出選擇。電子程式更可確保使用不同功能時，能精準控制溫度。



## OVENS RANKED A+, MADE IN FRANCE 獲A+評級，於法國製造

All Brandt pyrolytic ovens are rated A+, demonstrating excellent insulation and exceptionally controlled management of heating temperatures which contributes to significant energy savings.

白朗高溫清潔焗爐獲歐洲A+能效評級，展示了卓越的隔熱能力及無可比擬的溫度調控管理，顯著節省能源。



## EASY START 記憶功能

This function allows to store your most used preferences and settings for easy activation. After 3 successive uses of the same cooking function, this function automatically cooking stored as initial cooking function by default. The oven can memorize and retrieve your most frequently used programmes for speedy access.

你可以透過此項功能記錄最常用的選項及設定，更輕鬆啟動所需設定。只須使用同樣的烹調功能連續三次後，焗爐會自動記錄該選項為預設功能。記憶及檢索你最常用的程序，方便快捷。



## CATALYSIS 免清洗內壁

Brandt self-cleaning catalytic ovens feature specialized catalytic enamel cavities, to automatically degrease your oven after every usage! Grease produced during each cooking cycle are evenly spread over the face of the catalytic enamel, immediately oxidising to disappear over time. Perfect for effortless maintenance of your oven!

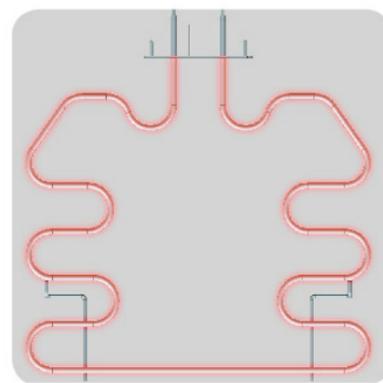
(available at BXC6537XS)  
白朗免清洗自潔內壁，可自動分解及淨化油污。每次烤焗後產生的油脂會平均地分佈於內壁上，隨即氧化及逐漸消失。清除油污，不費吹灰之力！  
(只適用於BXC6537XS)



## SOFT DOOR CLOSE 輕柔式關門

The door closes smoothly and gently to lengthen the lifespan of your oven!

緩衝式門鉸，焗爐門可輕柔地關上，延長焗爐的使用壽命。



## GRILL ΩMEGA ΩMEGA 燒烤發熱線

This function can improve on the distribution of heat on food.

此功能可以改善食物的熱力分佈，全新Ω設計，令熱力均勻地分佈在食物。



## SMART ASSIST 智助功能

Depending on the cooking mode, the oven recommends not only the right temperature, but also the cooking duration of the selected recipe.

根據不同的烹調模式，焗爐會自動建議最適合的溫度，及所選食譜的所需烹調時間。



## PYRO EXPRESS FUNCTION 快速高溫清潔功能

Ultra fast and 50% more economical, this function uses residual heat from a previous cooking to pyroclean the cavity in 59 minutes flat.

利用烤焗後的餘溫，於59分鐘內為焗爐進行高溫清潔，既快捷又省卻一半能量。





## MULTIFUNCTION ENAMELED CAVITY 「多功能」焗爐配備搪瓷易潔內壁

**BXP6575X \$12,998**



- Electronic Control with LCD Display
- 60cm Multifunction Plus Pyrolysis function
- Volume: 73 Litres
- Enameled Cavity
- 9 Cooking positions
- Quattro Pulse
- Smart Assist - Time Recommendation
- Smart Boost - Automatic Preheating
- Easy start: Memorization of the preference
- Soft Close
- 1 Drip Tray - 45mm
- 2 Anti Tip Safety Grids
- Made in France
- 電子控制配備液晶顯示屏
- 60厘米多功能及自動高溫清洗
- 淨容量: 73公升
- 搪瓷易潔內壁
- 9個煮食功能
- 四面環迴熱風對流
- 智助功能 - 建議最佳烹調時間
- 智能預熱
- 記憶功能 - 自動記錄常用設定
- 輕柔式關門
- 1層托盤 - 45毫米
- 2層焗架
- 法國製造
- 開孔尺寸 (毫米): 高 585 x 闊 560 x 深 550
- 機身尺寸 (毫米): 高 596 x 闊 592 x 深 544

Built-in dimensions (mm):  
H585 x W560 x D550  
Overall dimensions (mm):  
H596 x W592 x D544

## MULTIFUNCTION, ENAMELED CAVITY W/ CATALYTIC PANELS

「多功能」焗爐, 搪瓷易潔內壁配以免清洗面板



**BXC6537XS \$9,998**



- Electrical Knob Control with LCD Display
- Multifunction
- Volume: 73 Litres
- Enameled Cavity with Catalytic Panels
- 8 Cooking positions
- Quattro Pulse
- Smart Assist - Time Recommendation
- Smart Boost
- Soft Close
- 1 Drip Tray - 20mm
- 2 Anti Tip Safety Grids
- Made in France
- 電動旋鈕控制配備液晶顯示屏
- 多功能烹調
- 淨容量: 73公升
- 搪瓷易潔內壁配以免清洗面板
- 8個煮食功能
- 四面環迴熱風對流
- 智助功能 - 建議最佳烹調時間
- 智能預熱
- 輕柔式關門
- 1層托盤 - 20毫米
- 2層焗架
- 法國製造
- 開孔尺寸 (毫米): 高 585 x 闊 560 x 深 550
- 機身尺寸 (毫米): 高 596 x 闊 592 x 深 544

Built-in dimensions (mm):  
H585 x W560 x D550  
Overall dimensions (mm):  
H596 x W592 x D544

## MULTIFUNCTION ENAMEL CAVITY

「多功能」焗爐配備搪瓷易潔內壁



**BXE6538XS \$7,998**



- Electrical Knob Control with LCD Display
- Multifunction
- Volume: 73 Litres
- Enameled Cavity
- 8 Cooking positions
- Quattro Pulse
- Smart Assist - Time Recommendation
- Smart Boost - Automatic Preheating
- Soft Close
- 1 Drip Tray - 45mm
- 2 Anti Tip Safety Grids
- Made in France
- 電動旋鈕控制配備液晶顯示屏
- 多功能烹調
- 淨容量: 73公升
- 搪瓷易潔內壁
- 8個煮食功能
- 四面環迴熱風對流
- 智助功能 - 建議最佳烹調時間
- 智能預熱
- 輕柔式關門
- 1層托盤 - 45毫米
- 2層焗架
- 法國製造
- 開孔尺寸 (毫米): 高 585 x 闊 560 x 深 550
- 機身尺寸 (毫米): 高 596 x 闊 592 x 深 544

Built-in dimensions (mm):  
H585 x W560 x D550  
Overall dimensions (mm):  
H596 x W592 x D544

## CULINARY GUIDE 烹飪指南

### Select one of 15 pre-programmed recipes:

key in the weight of your item and the mode, the cooking time and temperature will be determined automatically.

備有15個預設食譜可供選擇，只需簡單輸入食物重量及模式，焗爐會自動設定煮食時間及溫度。





# STEAM OVEN 蒸煮爐



## 45cm Steam Oven 45厘米蒸煮爐

**BKV6132X \$14,998**



- Volume : 29 litres
- Stainless steel cavity
- Electronic knob control with LCD display
- 11 Cooking Functions
- Audio warning safety indicator
- 1 Stainless steel perforated tray
- 1 Stainless steel drip tray
- 1 Stainless steel dish support
- Made in France
- 29公升容量
- 不銹鋼內壁
- 電子按鈕控制配備液晶顯示
- 11個烹調功能
- 音頻警告安全指示器
- 1個不銹鋼托架
- 1個不銹鋼托盤
- 1個不銹鋼碟架
- 法國製造
- Built-in dimensions (mm):  
H450 x W560 x D550
- Product dimensions (mm):  
H442 x W592 x D425
- 開孔尺寸(毫米):  
高450 x 闊560 x 深550
- 機身尺寸(毫米):  
高442 x 闊592 x 深425

### Multi Purposes 多功能:



Cooking 煮食



Defrosting 解凍



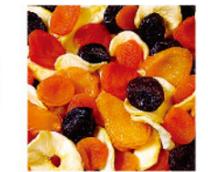
Reheating 翻熱



Blanching 水煮

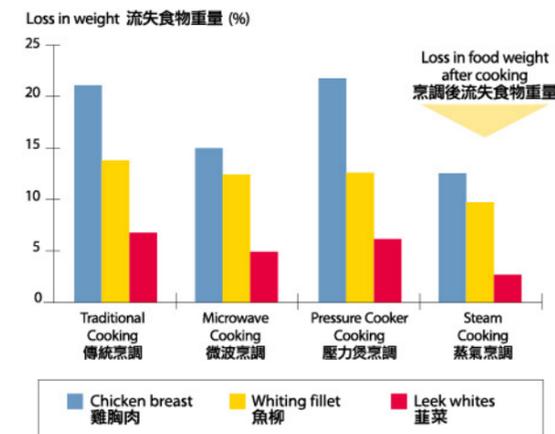


Keeping Warm 保溫

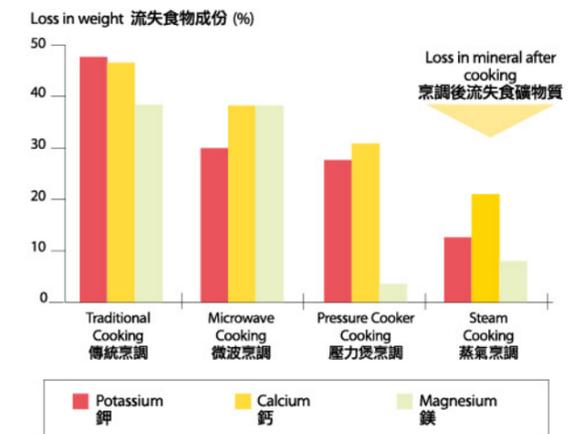


Rehydrating 保濕

### Benefits 優點:



Taste, texture & colour are retained  
充分保留味道、質感及色彩澤



Vitamins & minerals are preserved  
充分保留營養及礦物質

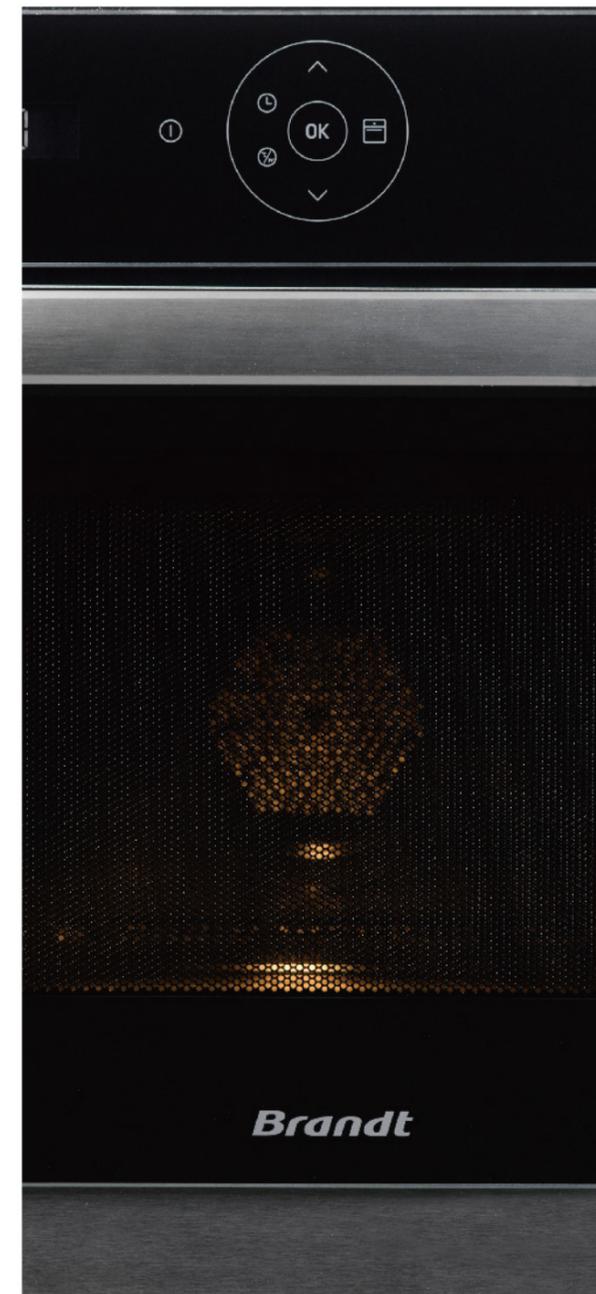
## COMBI/MICROWAVE 二合一微波焗爐/微波爐



### Design and Functionality 設計與功能完美結合

Same as on a Brandt convectional oven, the combi-microwave oven also features a full glass door, a strong alloy handle, sensor touch program selection and back-lit digital display for ease of use. With up to 11 different cooking functions, the new Brandt combi-microwave oven makes cooking easy.

傳承白朗傳統焗爐的優點，二合一微波焗爐亦採用全玻璃門、堅固合金把手、輕觸式程式選擇及背燈照明的數碼顯示屏，令操作更加容易。具備多達11種不同的烹飪功能，新款白朗二合一微波焗爐令你的烹調更簡易稱心。



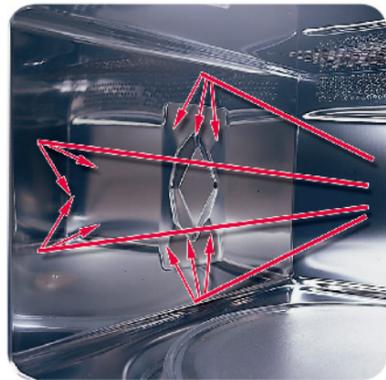
# COMBI/MICROWAVE 二合一微波焗爐/微波爐



## FULLY BUILD-IN OPTIONS • SPACE OPTIMISATION 全嵌入式設計 · 空間優化

No build-in kits are necessary to fit these ovens into a cabinet niche. 40L cavity to accommodate dishes up to 36cm diameter. (BKC6575X only)

無需任何嵌裝配件，便可將爐妥置於廚櫃中。40公升的容量可輕鬆放置直徑達36cm的碟盤。(適用於BKC6575X)



## QUATTRO SYSTEM® 多角度微波傳送系統

A Brandt exclusive which ensures perfect waves distribution in the cavity for even cooking and defrosting!

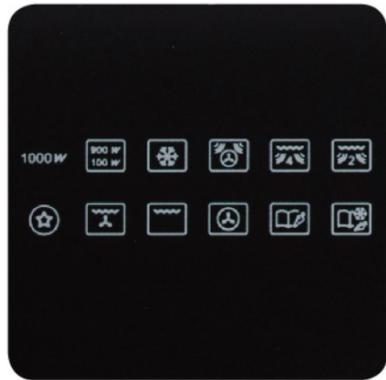
白朗獨有功能可確保微波在爐內均勻分佈，令烹調和解凍均可達到最佳效果！



## FAN COOKING 熱風烹調

Same functionality as a standard Multifunction Plus oven but with increased cooking speed as it combines the fan cooking with microwave and save up to 50% on normal cooking time. (BKC6575X only)

功能與標準的多功能焗爐相同，但由於將微波烹調與熱風烹調結合，加快了烹調速度，比正常烹調節省高達50%時間。(適用於BKC6575X)



## AUTOPROGRAMME 自動程式

Your oven calculates the cooking time according to the type and quantity of food.

焗爐根據食物的類型及份量計算出理想的烹調時間。



## SPEED DEFROST® 快速解凍

For food weighing up to 500g, you can defrost 6 times faster! Your oven calculates the exact defrost time based on the food type and quantity of the food.

500克以下的食物，解凍速度可快6倍！焗爐根據食物的類型及份量計算出準確的解凍時間。



## MEMORY 記憶功能

MEMO function allows you to record the frequently used recipes for effortless preparations!

MEMO 記憶功能可讓您記錄最常用的烹調程式，令煮食輕而易舉。

## COMBI OVEN 二合一微波焗爐



**BKC6575X \$14,998**



- Volume : 40 litres
- 1000W
- Enamel Cavity
- Electronic Programming Control
- Function: Microwave / Grill / Fanforced
- Quattro® wave system
- 11 Cooking Functions
- 15 Autocook Program
- Speed Defrost
- 36cm Maxi turnable -detachable
- Smart Assist: Time Recommendation
- 1 Glass Drip Tray
- Made in France
- 40公升容量
- 1000瓦特
- 搪瓷易潔內壁
- 電子控制面板
- 功能: 微波/ 燒烤/ 循環熱風
- Quattro® wave system 多角度微波傳送系統
- 11個烹調功能
- 15款自動烹調程式
- 快速解凍
- 36厘米可旋轉及拆除轉盤
- 智助功能-建議最佳烹調時間
- 1層玻璃托盤
- 法國製造
- 開孔尺寸 (毫米): 高450 x 闊560 x 深550
- 機身尺寸 (毫米): 高456 x 闊592 x 深547

## SOLO MICROWAVE OVEN 微波爐



**BMS6115X \$6,998**



- Volume : 26 litres
- 900W
- Electronic knob control with digital display
- Quattro® wave system
- Stainless steel cavity
- Smart Assist: Time recommendation
- 5 Microwave Levels
- 3 Memo Keys
- Speed Defrost
- 32cm Maxi turnable -detachable
- Made in France
- 26公升容量
- 900瓦特
- 電子按鈕操控配備數字屏幕顯示
- Quattro® wave system 多角度微波傳送系統
- 不銹鋼內壁
- 智助功能-建議最佳烹調時間
- 5個微波熱力級別
- 3個快速啟動記憶程式鍵
- 快速解凍
- 32厘米可旋轉及拆除轉盤
- 法國製造
- 開孔尺寸(毫米): 高380 x 闊560 x 深550
- 機身尺寸(毫米): 高390 x 闊592 x 深500



## INDUCTION HOBS 感應電磁爐

### A New Era Of Induction Technology 電磁科技的新時代

Sleek and trendy, Brandt Induction hobs have a perfect harmony of style and substance with unrivalled performance and high heating capacities offered in each piece to meet all your cooking needs.

白朗電磁爐既簡潔又時尚，集外型與內涵於一身，加上無可匹敵的性能及高效加熱能力，全方位切合你烹調需要。

#### **INCOMPARABLE TECHNOLOGY** 無可比擬的科技

Brandt's Induction combines the best of induction technology with a simple, low-fuss layout for a sweat-free cooking experience.

- Accuracy and flexibility with 9 heat levels and Boost
- Timer for each zone
- Absolute safety with Brandt's 10 Safety Measures
- Simple and safe maintenance with the Clean lock function

白朗輕觸式電磁爐採合頂尖感應技術及簡約介面，為你提供輕鬆的煮食體驗。

- 九段火力控制配合快速加熱功能，準確靈活
- 不同烹調區域計時器
- 十種安全設置功能，確保安全使用
- 新設清潔鎖定功能，安全簡單保養爐面，使日常清潔保養爐面時安全又簡單



# INDUCTION HOBS 感應電磁爐



## CLEAN LOCK 清潔安全鎖

Brandt Induction Hobs feature a Clean Lock Function to temporarily lock all controls for 3 minutes for a quick and safe clean!

白朗電磁爐備有清潔安全鎖功能，可以鎖定爐面三分鐘，配合方便安全地快速清潔！



## COOKING MEMORISATION 記憶功能

Brandt induction hobs allow you to programme your desired cooking duration and will automatically switch off at the end of the elapsed time. The Recall function allows you to pull up all the settings made (be it power level or timer) for your easy reference!

白朗電磁爐可以設定需要的烹調時間，並於預設時間過後自動停止運作。記憶功能則可以再次顯示所有設定，包括火力及時間均一目了然！



## NEW AGE TECH 新時代科技

Brandt Induction hobs are specially designed for optimal performance and support correct cooling of electronic components with:

- A large aperture at the back to suck in fresh air.
- A crankcase that is less than 6 mm thick is attached to the front panel which improves the evacuation of the hot air from the face of the hob. To facilitate the installation and fitting of the hob, the crankcase is positioned at the back with a bevel cut. The power cable in the centre is also very flexible to optimize access to the connection.

白朗電磁爐的全新特別設計，可以提供最佳效能及恰當地冷卻電子零件：

- 背面設有闊大縫隙，給予足夠空間抽取新鮮空氣。
- 爐面控制面板置有薄於六毫米的曲軸箱，可以協助爐面散熱。為方便安裝，置於電磁爐後方的曲軸箱的特別設計，電源線亦可以靈活放置，方便連接電源。



## PRECISE AND EFFICIENT COOKING 準確高效烹調

All induction hobs feature electronic controls for simplified usage. Touch sensitive keys and precise heating levels allow you to create perfect dishes, every time. The Boost function brings you straight to maximum power.

所有電磁爐備有電子控制，更容易使用。觸控式按鈕及精確火力調控，助你每次烹調出完美菜餚，快速加熱功能更可瞬間達至最高火力。



## INDUCTION, MADE IN FRANCE 全線電磁爐均由法國製造

# PACK 10 SAFETIES 10 項安全功能

## n°1

Anti-overflow: if a liquid happens to boil over onto the control panel, the cooking zone is automatically cut off.

防溢: 如果有液體沸騰流溢到控制板，煮食區會自動熄火。

## n°2

Anti-overheat: exclusive to Brandt, it limits the temperature under the cooking zone to 300°C. Oil for example, remains at a constant temperature without risk of igniting.

防過熱: 此白朗獨有功能將加熱區下面的溫度限制在300°C以下。食油可保持恆溫，不會有著火的危險。

## n°3

Child Lock: this function prevents accidental start up, especially by children.

兒童安全鎖: 此功能可防止意外啟動電磁爐，尤其是被兒童誤用。

## n°4

Automatic-stop system: if a dish is left to cook for a prolonged period of time, the hob switches off by itself.

電磁爐自動停止系統: 如果烹調食物時間過長，電磁區會自動停止操作。

## n°5

Residual heat indicator: after a long period of cooking, the surface of the cooking zone may remain hot. A display comes up on the keyboard and remains there whilst the temperature remains higher than 60°C.

餘溫顯示: 經過長時間烹調後，煮食區的表面可能仍然燙熱。控制板上會顯示餘溫，並於溫度高於60°C時持續顯示。

## n°6

Automatic pan detection: the hob will only work when it detects a magnetic cookware on the zone. This means there is no possibility of it being started by accident.

自動檢測爐具: 只有在加熱區檢測到磁性鍋具時，電磁爐才會啟動，故此不會有意外啟動的可能。

## n°7

Small object detection: a small object such as a fork or spoon is not detected as cookware. If a zone is left on, and a serving spoon is over the zone, the display will flash and there is no output power.

小型物品測檢: 電磁爐不會將小型物件 (如餐叉或湯匙) 檢測為鍋具。如果加熱區已啟動，而上面放有一隻湯匙，顯示屏會閃動並停止輸出電源。

## n°8

Detection of low voltage  
電壓過低提示

## n°9

Detection of over tension  
電壓過高自動關機裝置

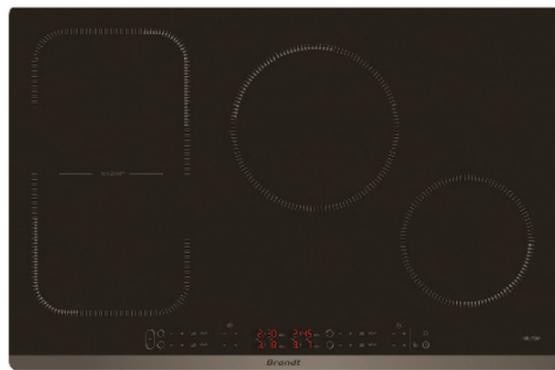


## n°10

Detection of connection error  
錯誤接駁電源警報



# INDUCTION HOBS 感應電磁爐



## 80CM • 4 ZONES 80厘米 • 4個煮食區 horiZone<sup>tech</sup>

**BPI6449BL \$14,998**

- Sensitive Touch control
  - Vitroceramic glass
  - 4 Timers 1-99 minutes
  - Recall function
  - 4 separate cooking zones
  - Zone 1 & 2 (horiZone<sup>tech</sup>): 4000W (40 cm x 23 cm)
  - Zone 3 (Rear Centre): 3100W (21cm)
  - Zone 4 (Front Right): 2800W (18cm)
  - Total power: 7200W
  - Pack 10 Safety Features
  - Made in France
  - Built-in dimensions (mm): W750 x D490
  - Product dimensions (mm): H59 x W770 x D510
- 輕觸式感應調校火力
  - 陶瓷玻璃面層
  - 4個99分鐘獨立計時器
  - 記憶功能
  - 4個煮食區
  - 區1及區2 (horiZone<sup>tech</sup>): 4000瓦特(40厘米 x 23厘米)
  - 區3(後方中心區域): 3100瓦特(21厘米)
  - 區4(前右): 2800瓦特(18厘米)
  - 總火力: 7200瓦特
  - 設有10個安全配置
  - 法國製造
  - 開孔尺寸(毫米): 闊 750 x 深 490
  - 機身尺寸(毫米): 高 59 x 闊 770 x 深 510



## 60CM • 3 ZONES 60厘米 • 3個煮食區

**BPI6314B \$10,998**

- Sensitive Touch control
  - Vitroceramic glass
  - 3 Timers 1-99 minutes
  - 3 separate cooking zones
  - Front Left: 2800W (18cm)
  - Rear Left: 2000W (16cm)
  - Centre Right: 3100W (21cm)
  - Total power: 7200W
  - Pack 10 Safety Features
  - Made in France
  - Built-in dimensions (mm): W560 x D490
  - Product dimensions (mm): H59 x W580 x D510
- 輕觸式感應調校火力
  - 陶瓷玻璃面層
  - 3個99分鐘獨立計時器
  - 3個煮食區
  - 前左: 2800瓦特 (18厘米)
  - 後左: 2000瓦特 (16厘米)
  - 右中間: 3100瓦特(21厘米)
  - 總火力: 7200瓦特
  - 設有10個安全配置
  - 法國製造
  - 開孔尺寸(毫米): 闊 560x 深 490
  - 機身尺寸(毫米): 高 59 x 闊 580 x 深 510



## 75CM • 2 ZONES 75厘米 • 2個煮食區

**BPI6230BL \$9,998**

- Sensitive Touch control
  - Vitroceramic glass
  - 2 Timers 1-99 minutes
  - 2 separate cooking zones
  - Left: 3100W (21cm)
  - Right: 2800W (18cm)
  - Total power: 3600W
  - Pack 10 Safety Features
  - Made in France
  - Built-in dimensions (mm): W665 x D345
  - Product dimensions (mm): H59 x W750 x D450
- 輕觸式感應調校火力
  - 陶瓷玻璃面層
  - 2個99分鐘獨立計時器
  - 2個煮食區
  - 左: 3100瓦特 (21厘米)
  - 右: 2800瓦特(18厘米)
  - 總火力: 3600瓦特
  - 設有10個安全配置
  - 法國製造
  - 開孔尺寸(毫米): 闊 665 x 深 345
  - 機身尺寸(毫米): 高 59 x 闊 750 x 深 450



## 30CM • 2 ZONES 30厘米 • 2個煮食區

**BPI6210B \$8,998**

- Sensitive Touch control
  - Vitroceramic glass
  - 2 Timers 1-99 minutes
  - 2 separate cooking zones
  - Front: 2800W (18cm)
  - Rear: 2800W (18cm)
  - Total power: 3600W
  - Pack 10 Safety Features
  - Made in France
  - Built-in dimensions (mm): W265 x D490
  - Product dimensions (mm): H59 x W288 x D510
- 輕觸式感應調校火力
  - 陶瓷玻璃面層
  - 2個99分鐘獨立計時器
  - 2個煮食區
  - 前: 2800瓦特 (18厘米)
  - 後: 2800瓦特(18厘米)
  - 總火力: 3600瓦特
  - 設有10個安全配置
  - 法國製造
  - 開孔尺寸(毫米): 闊 265 x 深 490
  - 機身尺寸(毫米): 高 59 x 闊 288 x 深 510



## 全新 horiZone<sup>tech</sup> 技術



### WELCOME TO THE INFINITE 迎接無限新世代

Brandt showcases its expertise in induction cooking technology with the launch of horiZonetech technology. This zoneless cooking concept empowers you to push culinary creativity to the limits, heightening your cooking experience.

HoriZonetech boasts a true zoneless induction cooking surface, being able to accommodate all shapes and sizes of cookware - from rectangular pans to oval dishes. (available at BPI6449BL only)

白朗推出 horiZone<sup>tech</sup> 技術，充份展示品牌於電磁感應烹飪上的專業技術。無區域的烹調概念使你能夠挑戰烹調極限，加強煮食體驗。

HoriZonetech 提供一個真正的無區域電磁爐，可以容納不同形狀及大小的煮食用具，由長方形平底鍋至橢圓形烤盤，均可使用。(只適用於BPI6449BL)



## MULTIPLE CONFIGURATIONS FOR EVERY NEED 多種配置，切合不同需要

Flexible and precise with its adjustable direct access and numerous power levels, horiZone also boasts high heating capacity, with power reaching up to 4000W.

HoriZonetech技術靈活準確，備有快速及多段式火力選擇。同時配合高速加熱功能，火力可高達4000W。



1 large zone for 一個主要區域可放置:

Several small pans at the same heat level



OR 多個烹調溫度的小鍋，或一個大鍋



2 Independent Cooking Zones 兩個獨立烹調區域:

Cooking at the front, at the back or on the 2 simultaneously, at different powers. 可以於前方、後方、或同時於兩個區域使用不同火力烹調。



## GAS HOB 氣體煮食爐



### East Meets West 東西合璧

By harnessing the modern technology and design with the practicality of Asian cooking, Brandt offers you the best of both worlds!

融合現代尖端科技與新穎設計，並結合實用的亞洲烹飪技巧，白朗為您呈現東西方世界的廚藝精品爐具！

Equipped with double crown burners with up to 5100W high power, Brandt offers you a range of powerful gas hobs for the best cooking performance.

配備雙環爐頭，火力可高達5100瓦特，白朗為你提供一系列強力氣體煮食爐以達到最佳煮食表現。

# GAS HOB 氣體煮食爐



## EVEN COOKING RESULTS 火力均勻

Brandt hobs are equipped with double crown burners for faster and even cooking results.

白朗氣體煮食爐的雙環爐頭設計，令你的烹調快速而且均勻。



## PRECISION COOKING 火力十足

From 1600W to 5000W power, they are ideal for Asian wok cooking.

擁有1600瓦特至5000瓦特的火力，必然是亞洲人炒鑊煮食的理想爐具。



## THERMOCOUPLE GAS SAFETY 防漏熄火安全裝置

In the event that the flame is extinguished, the gas supply will be cut off automatically.

如果火焰熄滅，氣體供應會自動截斷。



## EASE OF CLEANING 清潔容易

With black tempered glass surface, Brandt hobs are not only aesthetically pleasing, but are a breeze to clean with the smooth surfaces.

配備黑色玻璃爐面，白朗燃氣爐均美觀吸引，而平滑的爐面令清潔變得輕而易舉。



## EASE OF USE 使用便捷

With integrated electronic ignition, the burners are lit through a flame front for safety and ease of use.

使用按鈕式同步電子點火裝置，安全易用。



30CM  
30厘米



TG1089XC \$6,598

- Black tempered glass surface
- SECURIS safety device
- Single work burner with wok support
- Integrated ignition
- Battery operation
- Total gas power: 5000W
- Made in Australia

- Built-in dimensions (in mm): W265 x D472
- Overall dimensions (in mm): H51 x W300 x D510

- 強化黑色玻璃爐面
- SECURIS防漏熄火安全裝置
- 單爐頭及鑊架
- 按鈕式點火
- 電池點火
- 總火力: 5000瓦特
- 澳洲製造

- 開孔尺寸 (毫米): 寬265 x 深472
- 機身尺寸 (毫米): 高51 x 寬300 x 深510

30CM  
30厘米



TG1120B \$6,598

- Black tempered glass surface
- SECURIS safety device
- 2 Gas burners with single burner grids
- Ignition integrated into the knobs
- Very rapid rear: 3000W
- Semi-rapid front: 1600W
- Total gas power: 4600W
- AC ignition
- Made in France

- Built-in dimensions (in mm): W260 x D473
- Overall dimensions (in mm): H60 x W300 x D510

- 強化黑色玻璃爐面
- SECURIS防漏熄火安全裝置
- 雙爐頭及獨立爐架
- 按鈕式同步電子點火裝置
- 後方極快速爐頭: 3000瓦特
- 前方半快速爐頭: 1600瓦特
- 總火力: 4600瓦特
- 濕電點火裝置
- 法國製造

- 開孔尺寸 (毫米): 寬260 x 深473
- 機身尺寸 (毫米): 高60 x 寬300 x 深510 (不包括裝飾套件)

ORIGINE  
FRANCE  
GARANTIE



## HOOD 煙囪式抽油煙機



### A Breath of Fresh air ! 精美設計兼備超卓功能

In total family line with the Brandt ovens design, the new decorative glass hoods combine design ergonomomy with practically.

配合白朗焗爐的統一設計，新款雅緻的煙囪式抽油煙機不但揉合人體工學，其高度實用性完全切合您所需。

Boasting high suction power of up to 1000m<sup>3</sup>/hr, Brandt hoods are also aesthetically designed to meet the expectations of the most discerning customer.

白朗抽油煙機的吸引力強達每小時1000立方米，而且設計美觀，絕對可滿足要求最嚴格的用家。

Equipped with a silent motor for noise free operations and halogen lighting for ease of use, Brandt range of decorative hoods are the most effective tools for purifying the air in your kitchen!

白朗抽油煙機均配備寧靜馬達，可實現無噪音操作；此外，設有石英燈照明，方便您觀察烹調過程。白朗煙囪式抽油煙機為您的廚房時刻保持空氣清爽！

# HOOD 煙囪式抽油煙機



## SUCTION POWER AND CHOICE OF SPEED SETTINGS

### 抽力強勁，可選速度設定

Brandt hoods offer you flow rates of up to 1000m<sup>3</sup>/hr to evacuate odours and smoke in the wink of an eye. Of course, you can also adjust the suction power and speed to your convenience.

白朗抽油煙機的抽力高達每小時1000立方米，可瞬間清除廚房內的氣味及油煙。您還可按情況調校抽力及風速。

## SILENCE INSIDE 靜音設計

Brandt hoods work silently. From the turbine motors mounted on silent-blocks to the aerodynamics vanes, we studied everything to reduce the sound level.

白朗抽油煙機操作時寧靜無比。從渦輪馬達以至空氣動力扇葉，Brandt均精心研究，務求盡量減少噪音。

## DISHWASHER SAFE METAL FILTERS 金屬濾網

Made of high quality stainless steel, they can be removed effortlessly and are dishwasher safe.

濾網由優質的不鏽鋼製成，可輕易拆下並放進洗碗碟機內清洗。



## ELECTRONIC CONTROLS 全電子操作

Electronic controls with soft touch access for ease of use. (Except AD658XCI)

輕觸式全電子操作控板簡便易用。(AD658XCI 除外)

## LIGHT CHOICE 照明選擇

Soft, subtle halogen lighting or bulbs placed cleverly under your hood: you will always have a perfect view for effortless culinary preparations.

光線柔和的石英燈或燈泡巧妙地設計在抽油煙機下方，讓您在烹調過程中看得一清二楚。



## WALL MOUNT • 90 CM 掛牆式 • 90厘米

AD995XC \$5,998

- Max. flow rate: 1050m<sup>3</sup>/hr
- Electronic touch controls
- 3 Extraction speeds
- 3 Baffle stainless steel filters
- 1 Motor and 1 fan
- Delay stop (At 3, 6, 9, 12, 15mins)
- 59 dBA at maximum level
- Made in China
- 最高排氣流量: 每小時1,050立方米
- 輕觸式電子控制
- 3段風速選擇
- 3塊不銹鋼隔油污過濾網
- 1組摩打及風扇
- 停機延時 (3, 6, 9, 12, 15分鐘)
- 不高於59分貝摩打設計
- 中國製造

## WALL MOUNT • 90 CM 掛牆式 • 90厘米

AD658XC1 \$6,998

- Max. flow rate: 880m<sup>3</sup>/hr
- Electronic controls
- Charcoal filters provided
- 54 dBA Silence motor
- 4 Extraction speeds
- 3 Aluminum filter, dishwasher safe
- 1 Motor and 1 fan
- Lighting: 2 bulbs x 40W
- Made in France
- 最高排氣流量: 每小時880立方米
- 電子操作
- 碳纖維過濾網
- 54分貝超靜音摩打設計
- 4段風速選擇
- 3個鋁合金過濾鋼盤，可放入洗碗碟機清洗
- 1組摩打及風扇
- 2個40瓦特照明燈
- 法國製造



## ISLAND • 100 CM 吊掛式 • 100厘米

AD1118X \$14,998

- Max. flow rate: 750m<sup>3</sup>/hr
- Electronic control
- Soft touch control
- 49dB(A) Silence motor
- 4 Extraction speeds
- 3 Aluminium grease filters, dishwasher safe
- 1 Motor and 1 fan
- Lighting: 4 x 20W Halogen
- Made in Italy
- 最高排氣流量: 每小時750立方米
- 電子操作
- 輕觸式設計
- 49分貝超靜音摩打設計
- 4段風速選擇
- 3個鋁合金過濾盤，可放入洗碗碟機清洗
- 1組摩打及風扇
- 4個20瓦特鹵素照明燈
- 意大利製造

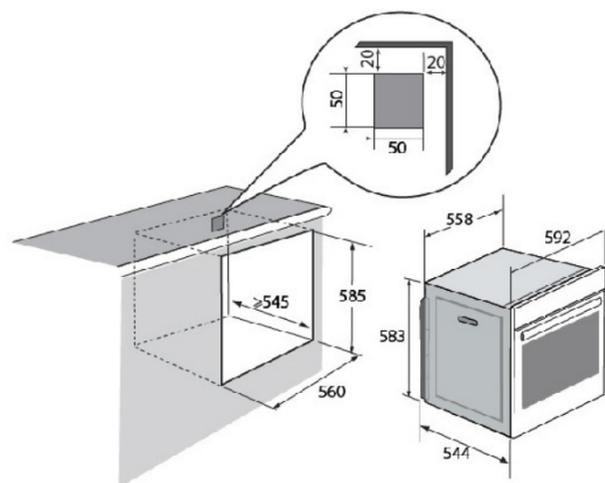


# Technical charts Oven 焗爐



	BXP6575X	BXC6537XS	BXE6538XS
Stainless Steel 不鏽鋼	BXP6575X	BXC6537XS	BXE6538XS
<b>FEATURES 功能</b>			
Cleaning mode 清洗模式	Pyrolytic自動高溫清洗功能	Catalytic 免清洗內壁	Enamel 易潔搪瓷內壁
Number of cooking position 焗煮位置	9	8	8
Automatic temperature recommendation 焗煮溫度建議	•	•	•
Smart assist 智助功能	•	•	•
Easy start 記憶功能	•	•	•
<b>OVEN 焗爐</b>			
Capacity (litres) 容量 (公升)	73L	73L	73L
Door 爐門	Cool 低溫	Ventilated 透氣	Ventilated 透氣
Grill (W) 燒烤火力 (瓦特)	2100	2100	2100
<b>CONSUMPTION 耗量</b>			
Europe energy label 歐洲能源標籤	A+	A	A
<b>SAUCEPANS 煮具</b>			
Safety flat grid 安全焗架	2	2	2
Drip tray 托盤	1(45mm 毫米)	1(20mm 毫米)	1(45mm 毫米)
<b>DIMENSION-WEIGHT 體積-重量</b>			
Built-in H x W x D (mm) 開孔尺寸 高x寬x深 (毫米)	585 x 560 x 550	585 x 560 x 550	585 x 560 x 550
Overall H x W x D (mm) 總體積 高x寬x深 (毫米)	596 x 592 x 544	596 x 592 x 544	596 x 592 x 544
Net / gross weight (kg) 淨/總重 (公斤)	38 / 40	33 / 34	32 / 33
Connection 接駁	220-240V/50Hz/20A	220-240V/50Hz/20A	220-240V/50Hz/20A
Maximum Power Consumption (W) 最高耗電量 (瓦特)	3385	2635	2635

## BXP6575X / BXC6537XS / BXE6538XS



Remarks:  
Centre the oven, leave 5mm between the appliance and the neighbouring cabinet.

將焗爐置中，焗爐與旁邊的廚櫃保留5毫米距離

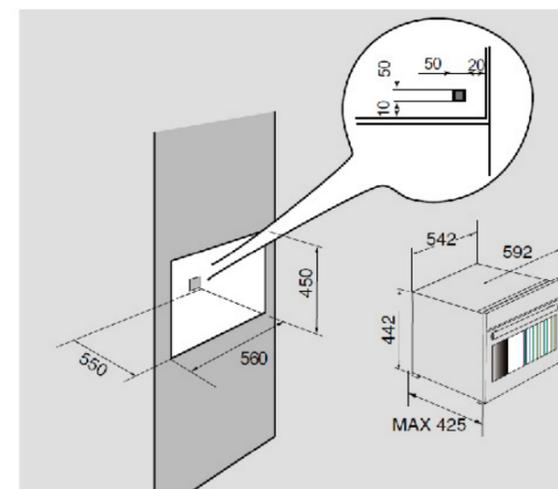
units單位=mm毫米

# Technical charts Steam Oven 蒸煮爐



	BKV6132X
Stainless Steel 不鏽鋼	BKV6132X
<b>FEATURES 功能</b>	
Oven Capacity (litres) 淨容量 (公升)	29
Cooking temperautre 蒸煮溫度	60 / 100°C
Defrosting function 解凍功能	•
Cut-off timer (mins.) 時間制 (分鐘)	•
On-off light 開關顯示燈	•
Lower water level 加水提示	•
1 Litre water tank 1公升盛水器	•
Accessories: 1 grid, 1 alveolar plate and 1 dish support 配件: 1個托架, 1個托盤, 1個碟架	•
<b>POWER CONSUMPTION-VOLTAGE 耗電量-伏特</b>	
Power (W) 火力 (瓦特)	1770
Connection 全玻璃爐門	220-240V / 50-60Hz / 13A
<b>DIMENSION-WEIGHT 體積-重量</b>	
Built-in H x W x D (mm) 開孔尺寸 高x寬x深 (毫米)	450 x 560 x 550
Overall H x W x D (mm) 總體積 高x寬x深 (毫米)	442 x 592 x 425
Net / gross weight (kg) 淨/總重 (公斤)	25 / 27
Maximum Power Consumption (W) 最高耗電量 (瓦特)	1770

## BKV6132X

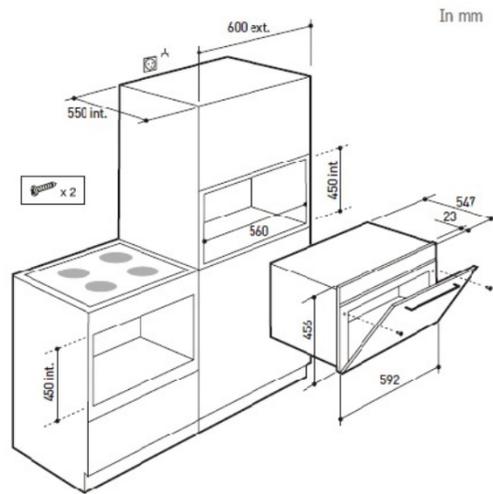


units單位=mm毫米



	BKC6575X	BMS6115X
Stainless Steel 不銹鋼		
<b>FEATURES 功能</b>		
Volume (litres) 容量 (公升)	40	26
Power (W) 火力 (瓦特)	1000	900
Grill 燒烤	1750	-
Timer (min) 計時器 (分鐘)	90	60
Quattro System® [4 microwave outputs] 多角度微波傳送系統	•	•
Flush removable integrated turnable 可拆式煮食碟	36cm	32cm
Cavity 內壁	Enamel 搪瓷	Stainless steel 不銹鋼
Cooking mode 煮食模式	Grill / MO / Fan 燒烤 / 微波 / 循環熱風	MO微波
Autoprogramme 自動烹調程式	15	-
3 Memories 記憶程式	•	•
Child lock 兒童安全鎖	•	-
Glass Tray 玻璃烤盤	•	•
<b>DIMENSION-WEIGHT 體積-重量</b>		
Built-in H x W x D (mm) 開孔尺寸 高x寬x深 (毫米)	450 x 560 x 550	380 x 560 x 550
Overall H x W x D (mm) 總體積 高x寬x深 (毫米)	456 x 592 x 547	390 x 592 x 500
Net / gross weight (kg) 淨/總重 (公斤)	39 / 43	20.26 / 22.26
Connection 接駁	220-240V/50Hz/16A	220-240V/50Hz/13A
Maximum Power Consumption (W) 最高耗電量 (瓦特)	3400	1550

### BKC6575X

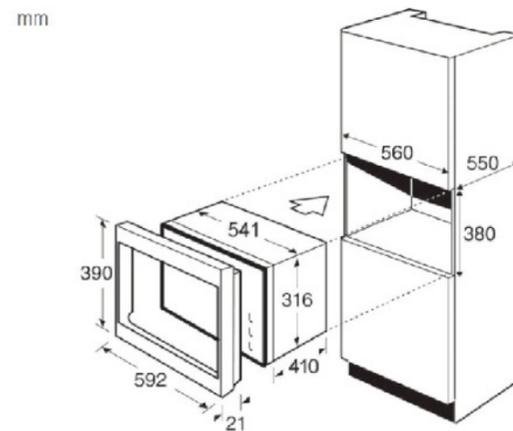


#### Remarks:

Do not use your appliances immediately (wait approximately 1 to 2 hours) after having moved it from a cold location to a hot location because the condensation may cause a malfunction.  
如果將電器由較冷的位置移動至較熱的位置，請不要立即使用（移動後等待約1至2小時後才使用）。

units單位=mm毫米

### BMS6115X

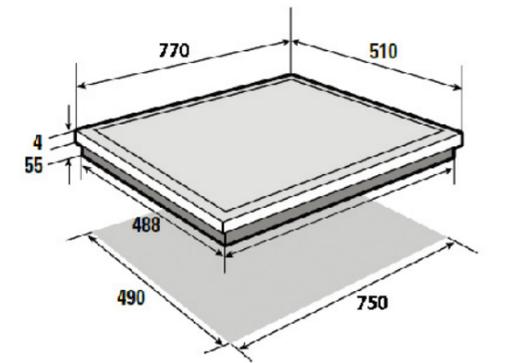


units單位=mm毫米



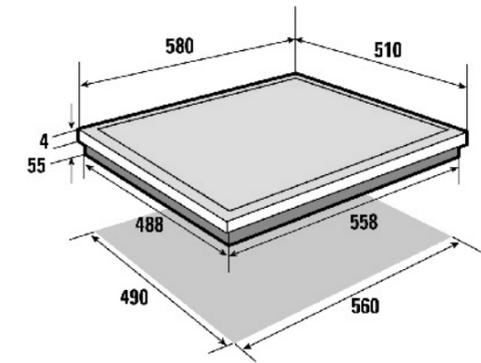
	BPI6449BL	BPI6314B
Without frame 無邊框		
<b>ZONES POWER 區域火力</b>		
Left (W) 左 (瓦特)	Horizone 4000	2800
Right (W) 右 (瓦特)	2800	3100
Center (W) 中 (瓦特)	3100	
Rear (W) 後 (瓦特)		2000
<b>SIZE OF ZONES 區域尺寸</b>		
L / R / R (cm) 左/右/後 (厘米)	40 x 23 / 18 / 21	21 / 18 / -
<b>FEATURES 功能</b>		
Glass vitroceramic work top 陶瓷玻璃爐面	•	•
Heating setting of zones 煮食區火力調校	9+1 [with direct access 直接調校至最高火力]	9+1 [with direct access 直接調校至最高火力]
99 min timer 99分鐘獨立計時器	4 timers 1 to 99mins	3 timers 1 to 99mins
BOOSTER 高速煮沸	1	1
<b>SAFETY 安全</b>		
Pack 10 safeties 10項安全功能	•	•
<b>INSTALLATION 安裝</b>		
Total power (W) 總火力 (瓦特)	7200	7200
Connection 接駁	220-240V / 50/60Hz / 32A	220-240V / 50/60Hz / 32A
<b>DIMENSION-WEIGHT 體積-重量</b>		
Built-in H x W x D (mm) 開孔尺寸 高x寬x深 (毫米)	55 x 750 x 490	55 x 560 x 490
Overall W x D (mm) 總體積 寬x深 (毫米)	59 x 770 x 510	59 x 580 x 510
Net / gross weight (kg) 淨/總重 (公斤)	13.5 / 15	10.1 / 11

### BPI6449BL



units單位=mm毫米

### BPI6314B

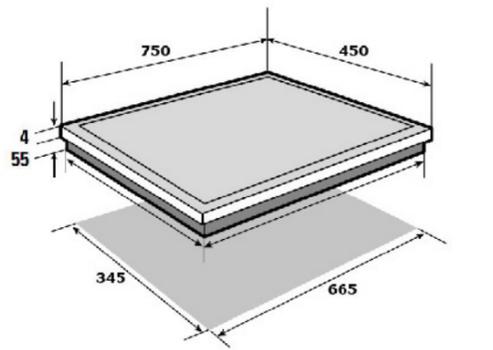


units單位=mm毫米



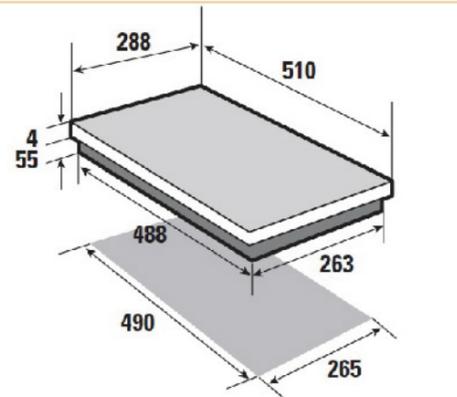
	BPI6230BL	BPI6210B
Without frame 無邊框		
<b>ZONES POWER 區域火力</b>		
Left (W) 左 [瓦特]	3100	Front前: 2800
Right (W) 右 [瓦特]	2800	Rear後: 2800
<b>SIZE OF ZONES 區域尺寸</b>		
Left / Right (cm) 左/右 [厘米]	21 / 18	F / R 前/後: 18
<b>FEATURES 功能</b>		
Glass vitroceramic work top 陶瓷玻璃爐面	•	•
Heating setting of zones 煮食區火力調校	9+1 [with direct access 直接調校至最高火力]	9+1 [with direct access 直接調校至最高火力]
Booster 高速煮沸	1	1
Timer 計時器	2 timers 1 to 99mins	2 timers 1 to 99mins
<b>SAFETY 安全</b>		
Pack 10 safeties 10項安全功能	•	•
<b>INSTALLATION 安裝</b>		
Total power (W) 總火力 [瓦特]	3600	3600
Connection 接駁	220-240V/50Hz/20A	220-240V/50Hz/20A
<b>DIMENSION-WEIGHT 體積-重量</b>		
Built-in H x W x D (mm) 開孔尺寸 高x寬x深 (毫米)	55 x 665 x 345	55 x 265 x 490
Overall W x D (mm) 總體積 寬x深 (毫米)	59 x 750 x 450	59 x 288 x 510
Net / gross weight (kg) 淨/總重 (公斤)	9.5 / 10.5	5.5 / 7.5

**BPI6230BL**



units單位=mm毫米

**BPI6210B**

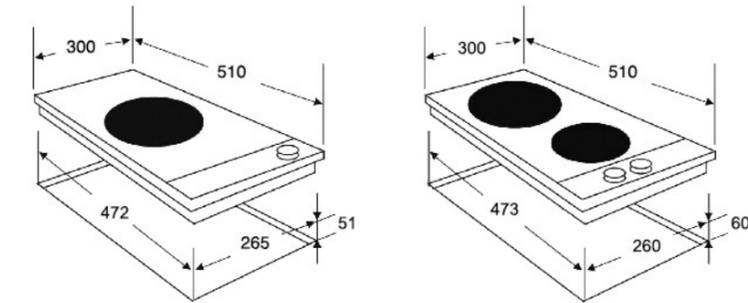


units單位=mm毫米



	TG1089XC	TG1120B
Without frame 無邊框		
<b>ZONES 煮食區</b>		
Gas type 燃料類別	Towngas煤氣	Towngas煤氣
<b>ZONES POWER 區域火力</b>		
Front (W) 前 [瓦特]	5000	1600
Rear (W) 後 [瓦特]	-	3000
<b>ZONES 區域</b>		
FR/RR (W) 前右 [瓦特]	Wok burner	Small-rapid/Grand rapid半快速/快速
<b>FEATURES 功能</b>		
Single / Multi-zone grids	Cast iron 鑄鐵 / -	- / Cast iron 鑄鐵
Ignition integrated into the knobs 煮食區火力調校按鈕式同步點火裝置	•	•
<b>INSTALLATION 安裝</b>		
Connection 接駁	DC 1.5V (D Battery)	220-240V/50Hz/13A
<b>DIMENSION-WEIGHT 體積-重量</b>		
Built-in H x W x D (mm) 開孔尺寸 高x寬x深 (毫米)	265 x 472	260 x 473
Overall W x D (mm) 總體積 寬x深 (毫米)	51 x 300 x 510	60 x 300 x 510
Net / gross weight (kg) 淨/總重 (公斤)	7 / 7.5	8 / 8.5

**TG1089XC / TG1120B**

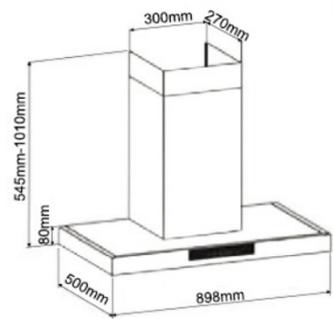


units單位=mm毫米



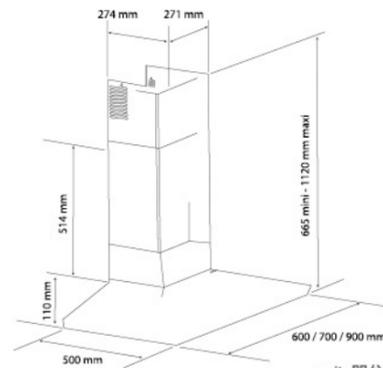
	AD995XC	AD658XC1	AD1118X
<b>TYPE OF HOOD 機種</b>			
Size 尺寸	90cm 厘米	Slimline 纖巧 90cm 厘米	Slimline 纖巧 100cm 厘米
<b>TECHNICAL SPECIFICATION 技術規格</b>			
Type of controls 操控	Electronic touch control 輕觸式電子控制	Electronic 電子	Electronic 電子
Number of motors / fans 摩打 / 風扇數量	1 / 1	1 / 1	1 / 1
Number of extraction speeds 風速選擇	3	4	4
Maxi extraction (m <sup>3</sup> /hr) 最高風速	1050	880	750
Mini decibel level (dBA) 聲音 (分貝)	59	54	49
Lighting 照明	-	2 Halogen x 20W 2個石英燈	4 Halogen x 20W 4個石英燈
Metallic filters 鋁合金過濾鋼盤	-	3	3
Stainless steel filters 不銹鋼過濾鋼盤	3	-	-
Power consumption (W) 耗電量 (瓦特)	408	160	350
Ducting diameter (mm) 排氣喉直徑 (毫米)	150	120 / 150	123 / 150
Extraction / recycling 排氣式/循環式	• / •	• / •	• / •
Connection 接駁	220 - 240V / 50,60Hz / 13A	220 - 240V / 50Hz / 13A	220 - 240V / 50Hz / 13A
<b>DIMENSION-WEIGHT 體積-重量</b>			
Net dimensions H x W x D (mm) 總體積 高x寬x深 (毫米)	545-1010 x 898 x 500	665-1120 x 900 x 500	600-1103 x 1000 x 605
Net / gross weight (kg) 淨/總重 (公斤)	18 / 21	12 / 13	30 / 36

### AD995XC



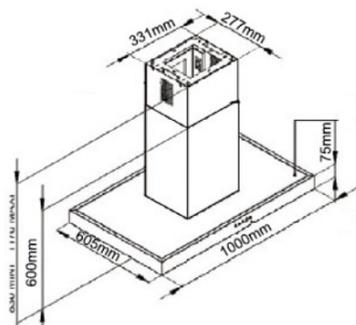
units單位=mm毫米

### AD658XC1



units單位=mm毫米

### AD1118X



units單位=mm毫米

## Protecting the Environment 保護環境



As a market leader in Europe, Brandt is fully committed to the protection of the environment, particularly in the conservation of raw materials, water and electricity.

作為歐洲電器生產商的領導者，Brandt 全面致力為保護環境而努力，特別在生產原料的處理，水及電能等天然資源的保護方面極為重視。

Besides being ISO9001 and ISO9014 certified, all our factories in France have also achieved RoHS compliance. The restriction of Hazardous Substances Directive (RoHS) 2002/95/EC was adopted in February 2003 by the European union, and the directive restricts the use of six Hazardous materials in the various type of electronic and electrical equipment.

Brandt 全部位於法國的工廠均獲得 ISO9001及ISO9014品質管理認證。此外亦符合歐盟於 2003年2月共同訂定針對有害物質限制指令(RoHS) (2002/95/EC)，其目的在於限制電機電子產品中的6種物質，以保護人類及環境的安全及健康。

RoHS COMPLIANCE also means that Brandt appliances reduce the environmental burden of recycling, as most of our appliances' components are 95% recyclable while the packaging materials are 100% recyclable, surpassing the European standards of recyclability set by Directive WEEE.

法國Brandt所生產的家用電器，全部超越WEEE所訂定的RoHS國際環保規範內有關於電器及電子產品廢棄物處理及回收標準。Brandt電器產品中所採用的零件有95%是可以循環再用的，而產品的包裝物料更是100%可回收的。Brandt致力減低循環回收對環境的壓力，並積極推動環保。

Brandt appliances are also manufactured in advanced production facilities in France, which generates the lowest carbon dioxide emissions in the world, creating the minimal level of carbon footprint, as part of the overall efforts to the elimination of the factors contributing to global warming.

法國Brandt採用先進的生產設施，使生產過程中所排放的二氧化碳量是全球最低，同時亦將碳足跡減至最少，全力為減輕全球暖化而努力！

By acquiring a Brandt appliances, you contribute to the protection of the environment and the wise of the world's resources. 當閣下採用了Brandt家用電器時，在享受產品為生活帶來的優點外，亦同時為環保作出一份貢獻。